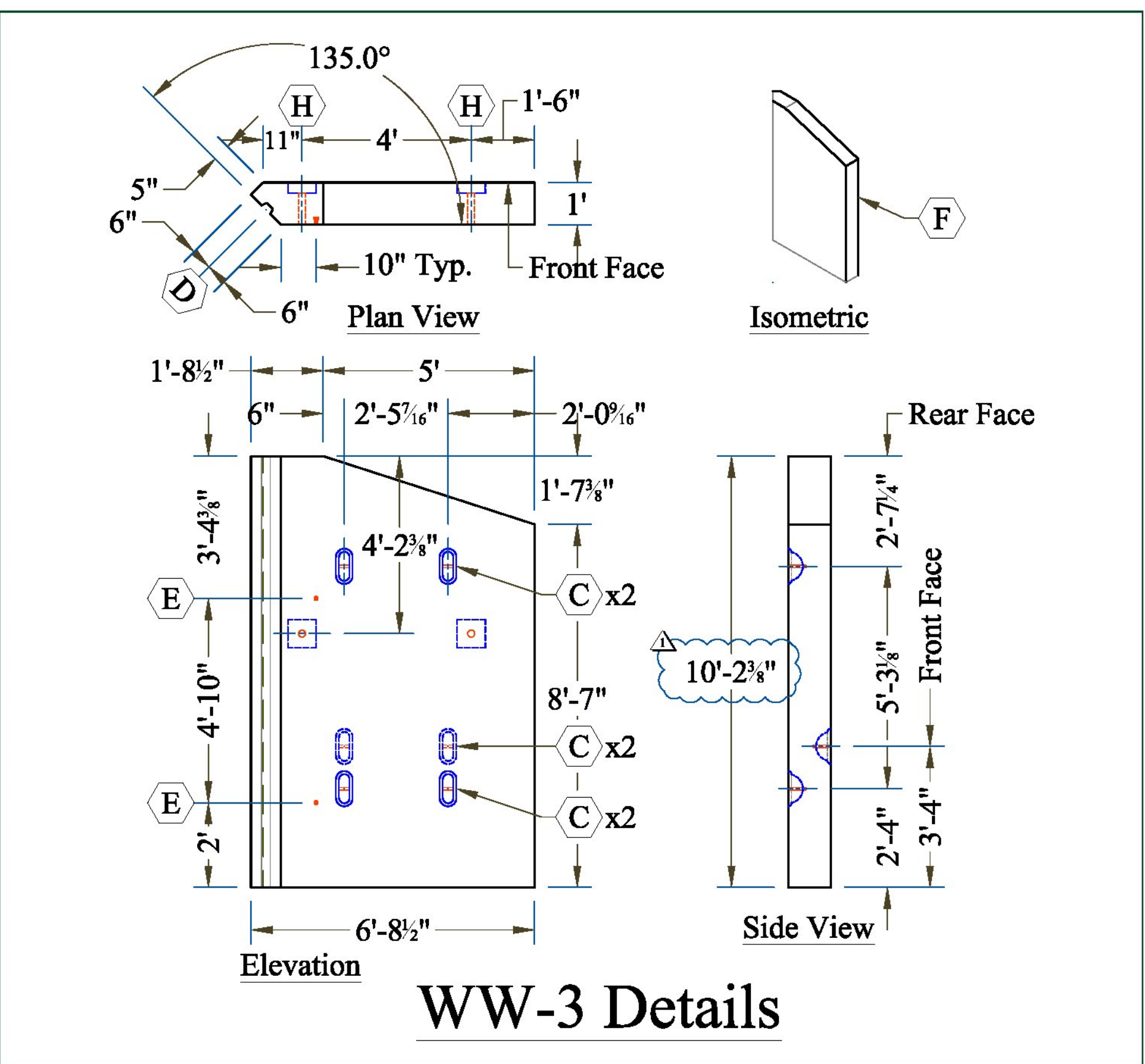
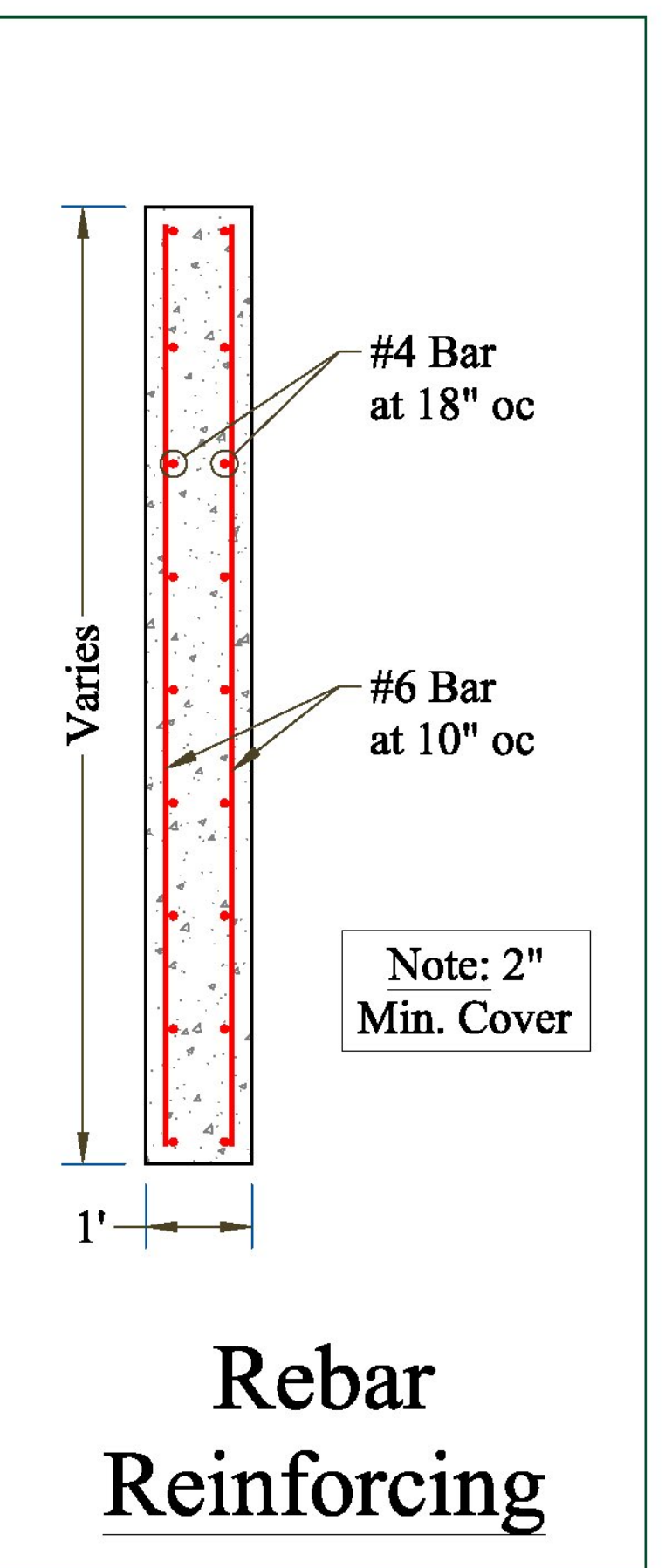


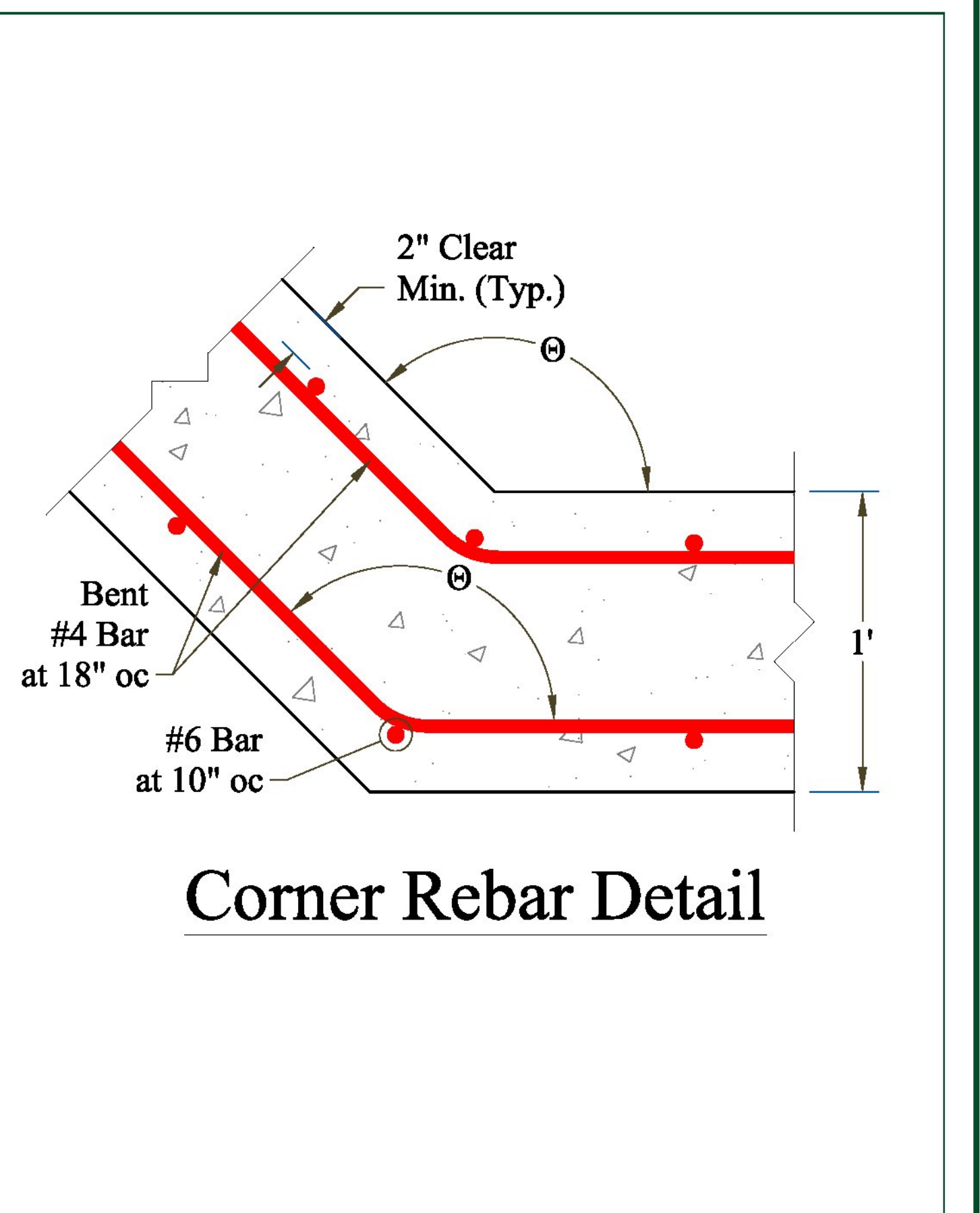
WW-1 Details



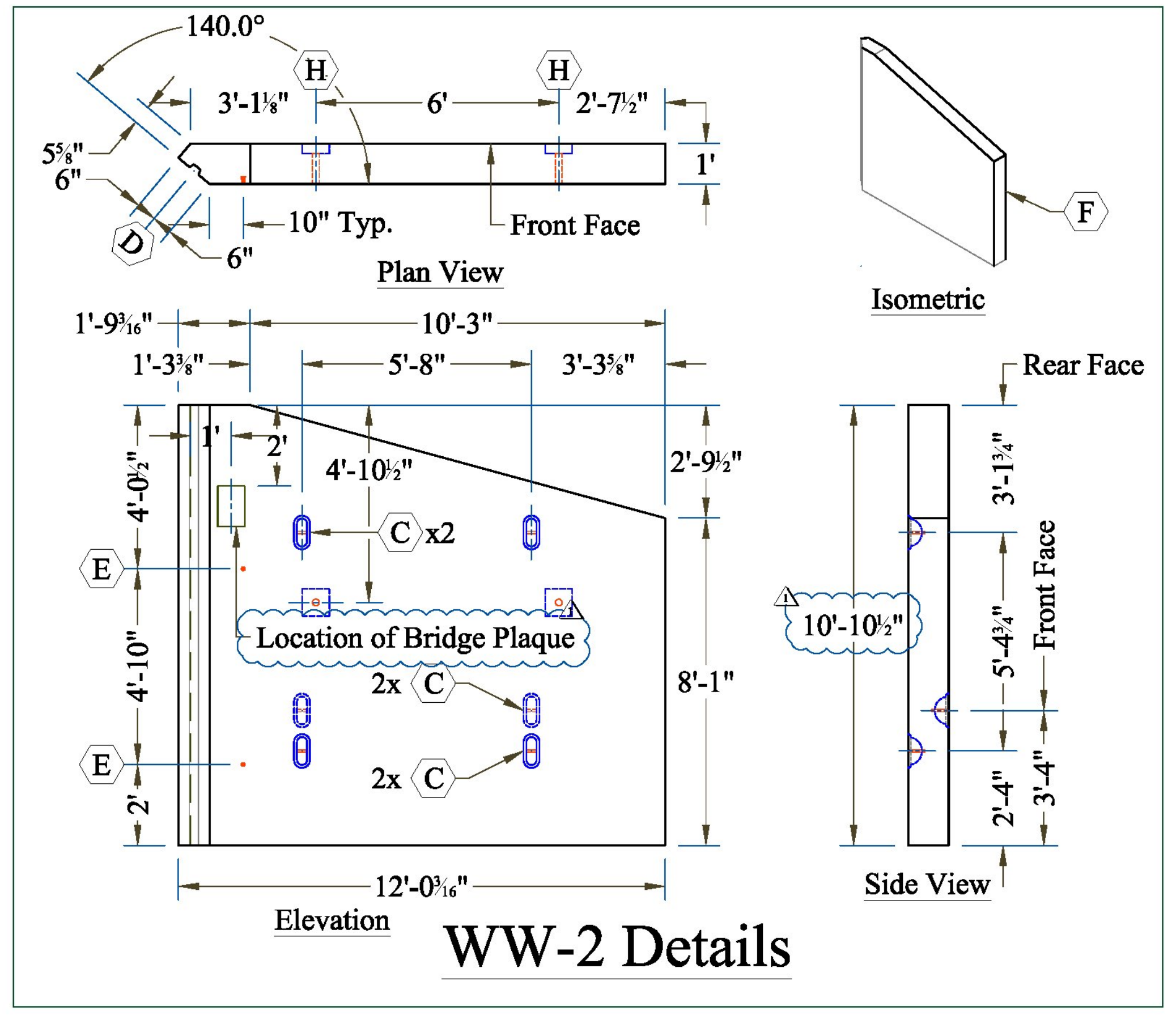
WW-3 Details



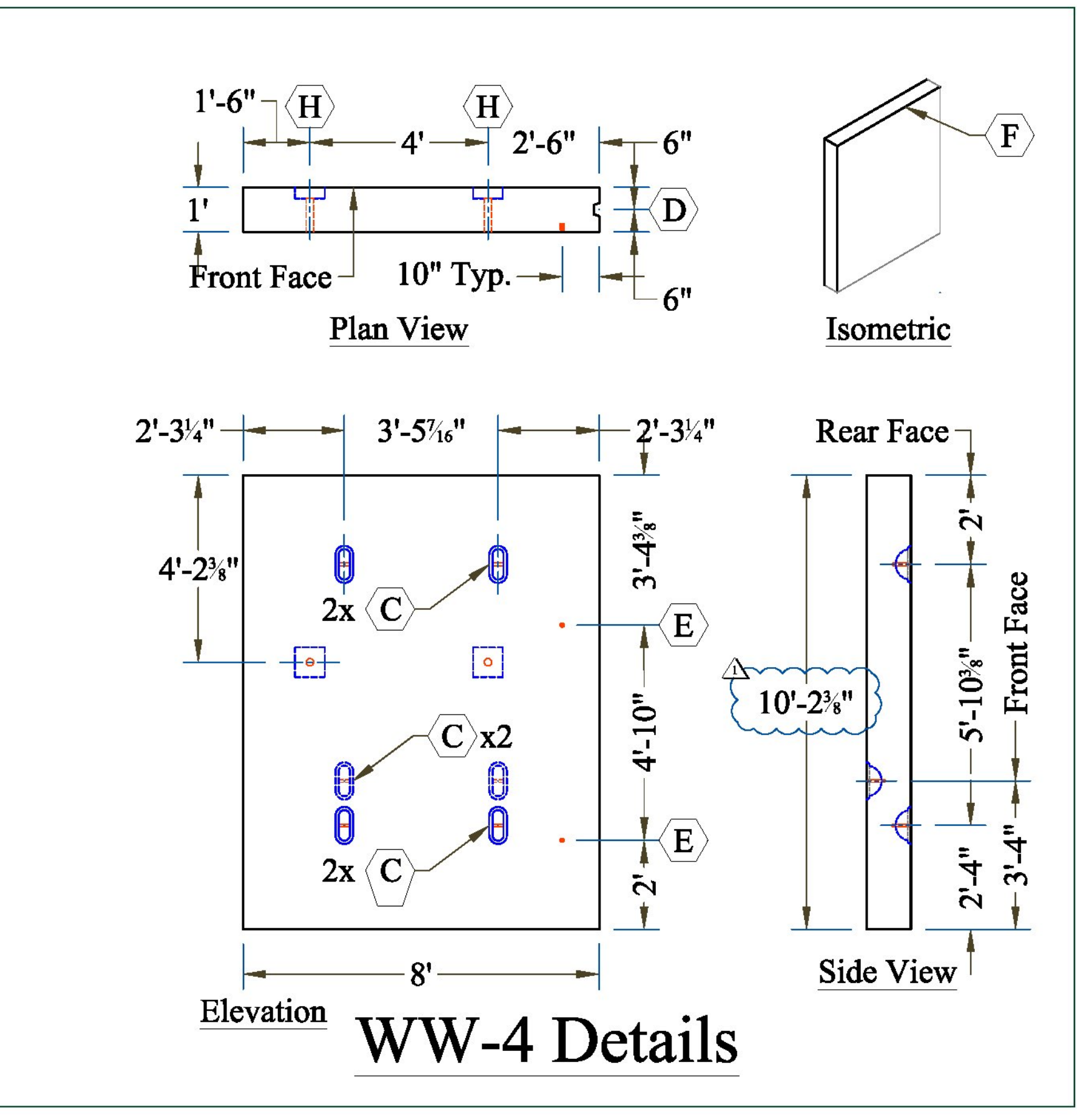
Rebar Reinforcing



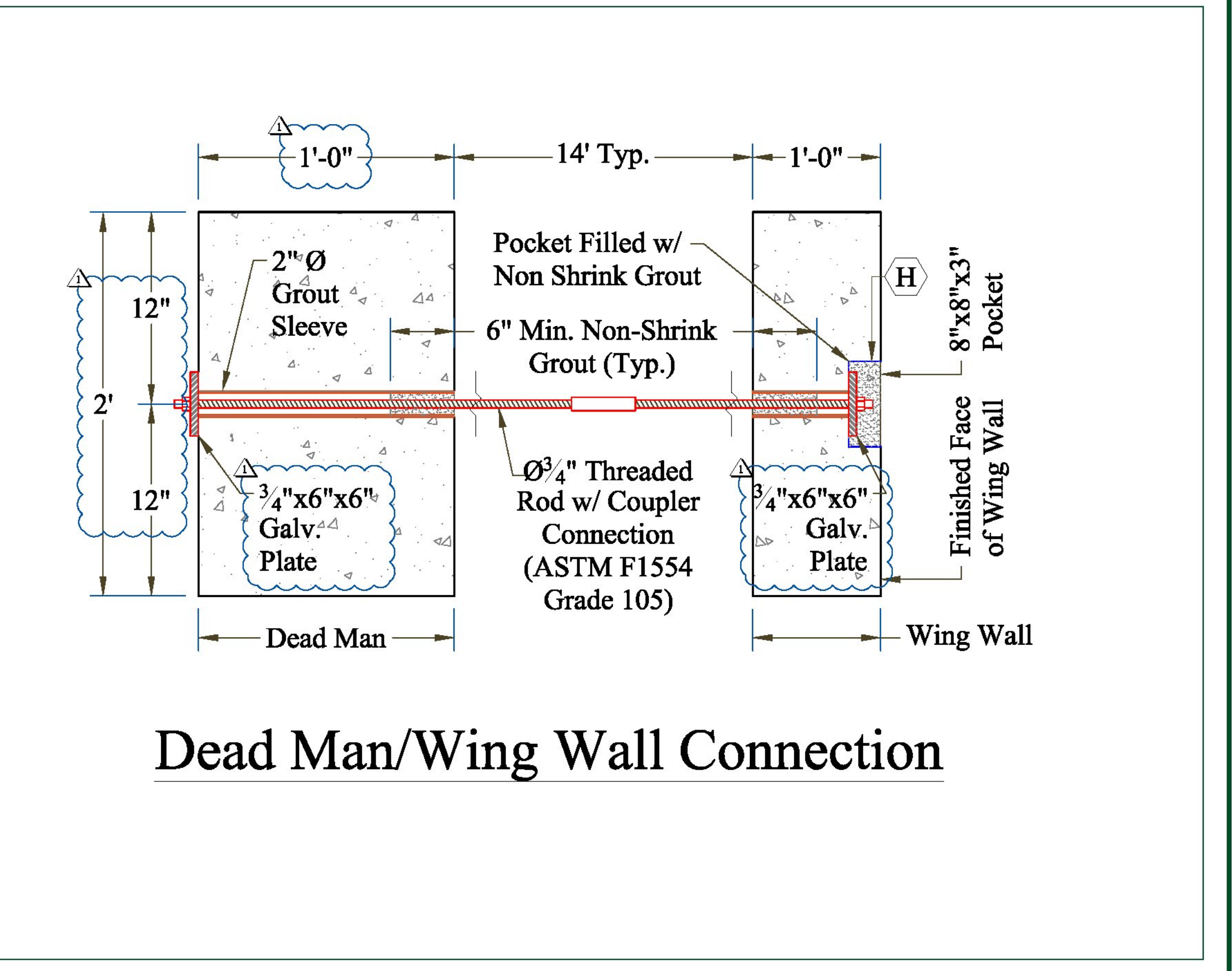
Corner Rebar Detail



WW-2 Details



WW-4 Details



Dead Man/Wing Wall Connection

CONTRACTORS VTSP#

Vermont Agency of Transportation  
**RECEIVED**  
CK'D BY RMK OK'D BY  
June 25, 2013  
RESUBMIT Approved AsNoted  
BY JTS DATE 6-26-2013

Note: Bridge Plaque Provided by Others. To be Cast Into WW-2 by the Precast Manufacturer or to be Installed in the Field by Contractor

PRECAST CONCRETE RIGID FRAME SHOP DRAWINGS (SDI JOB# 13429)

SUPERVISOR: M. WHEELER PROJECT NAME: WOODSTOCK  
DETAILER: C. DUPLANTIS PROJECT #: BRO 1444 (55)  
CHECKER: M. WHEELER LOCATION: WOODSTOCK, VT  
ENGINEER: ENGINEERING VENTURES BRIDGE: #23 ON TOWN HWY 6

CONTRACTOR: B.U.R. CONSTRUCTION CLAREMONT, NH 03743 Ph: (603) 542-2801

FABRICATOR: 193 INDUSTRIAL AVE. WILLISTON, VT 05495 Ph: (802) 658-0201

SD Ireland Precast Division

05/30/13 WING WALL DETAILS, REINFORCING & SECTIONS 4 of 6