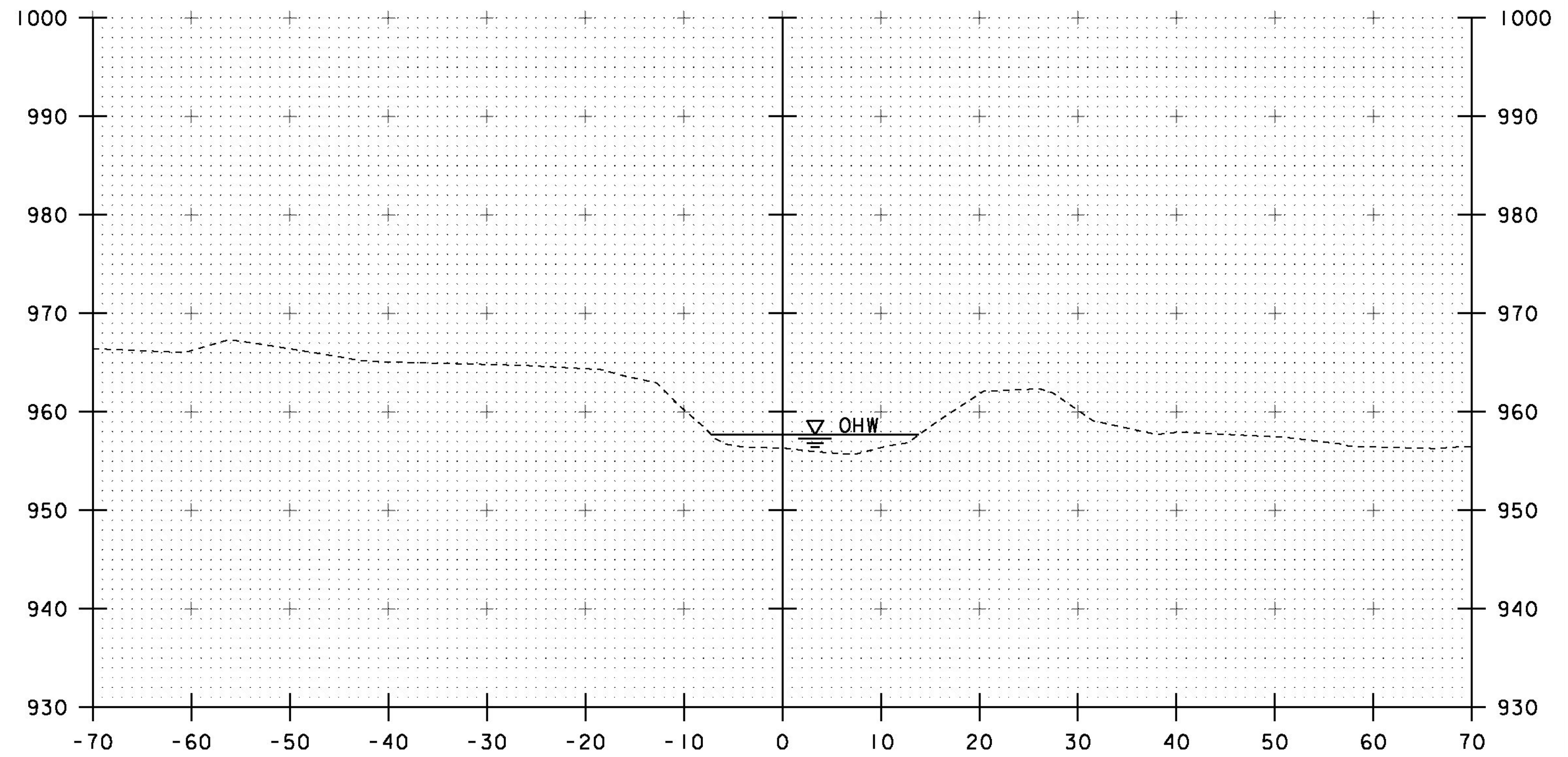
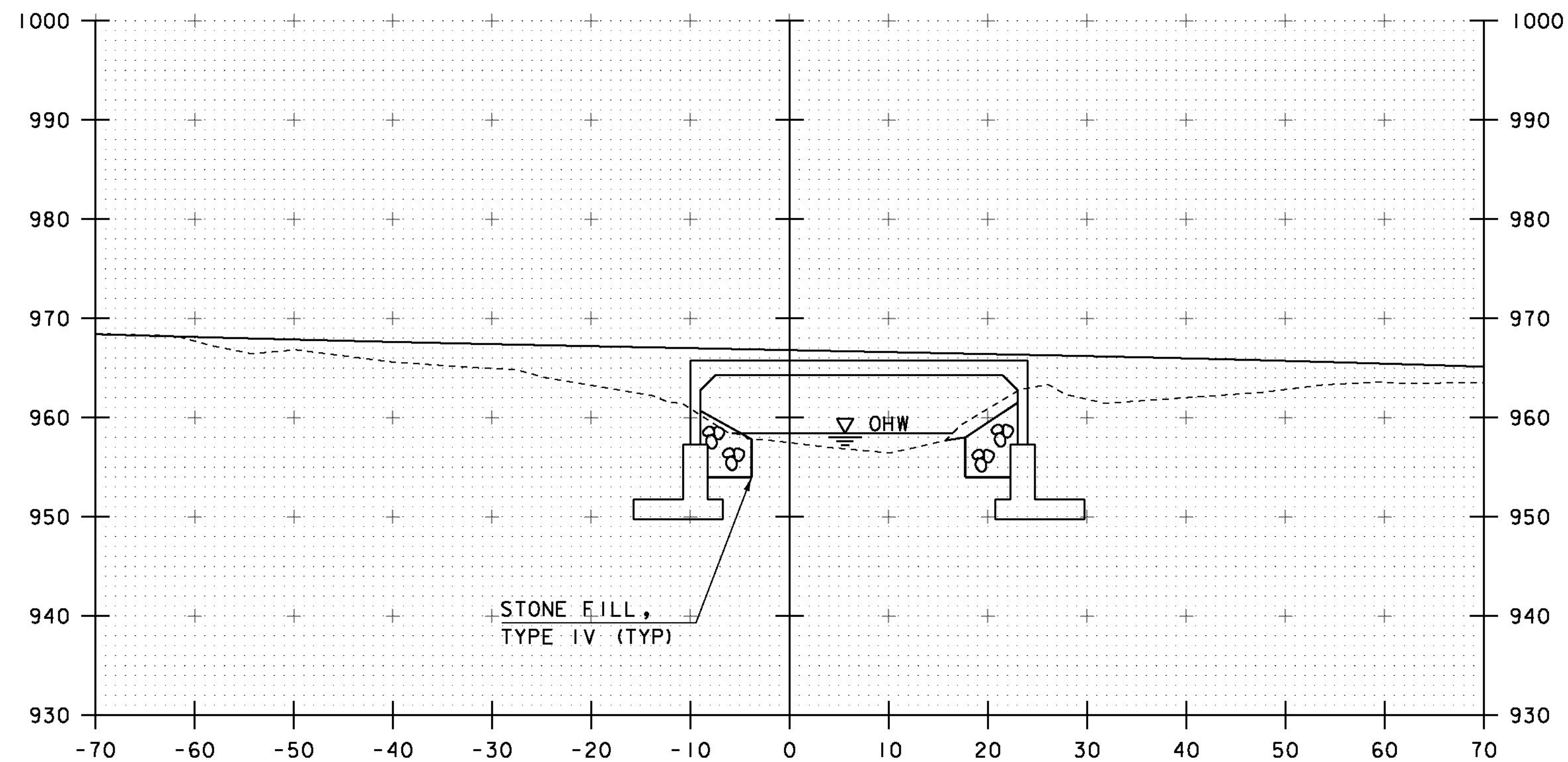


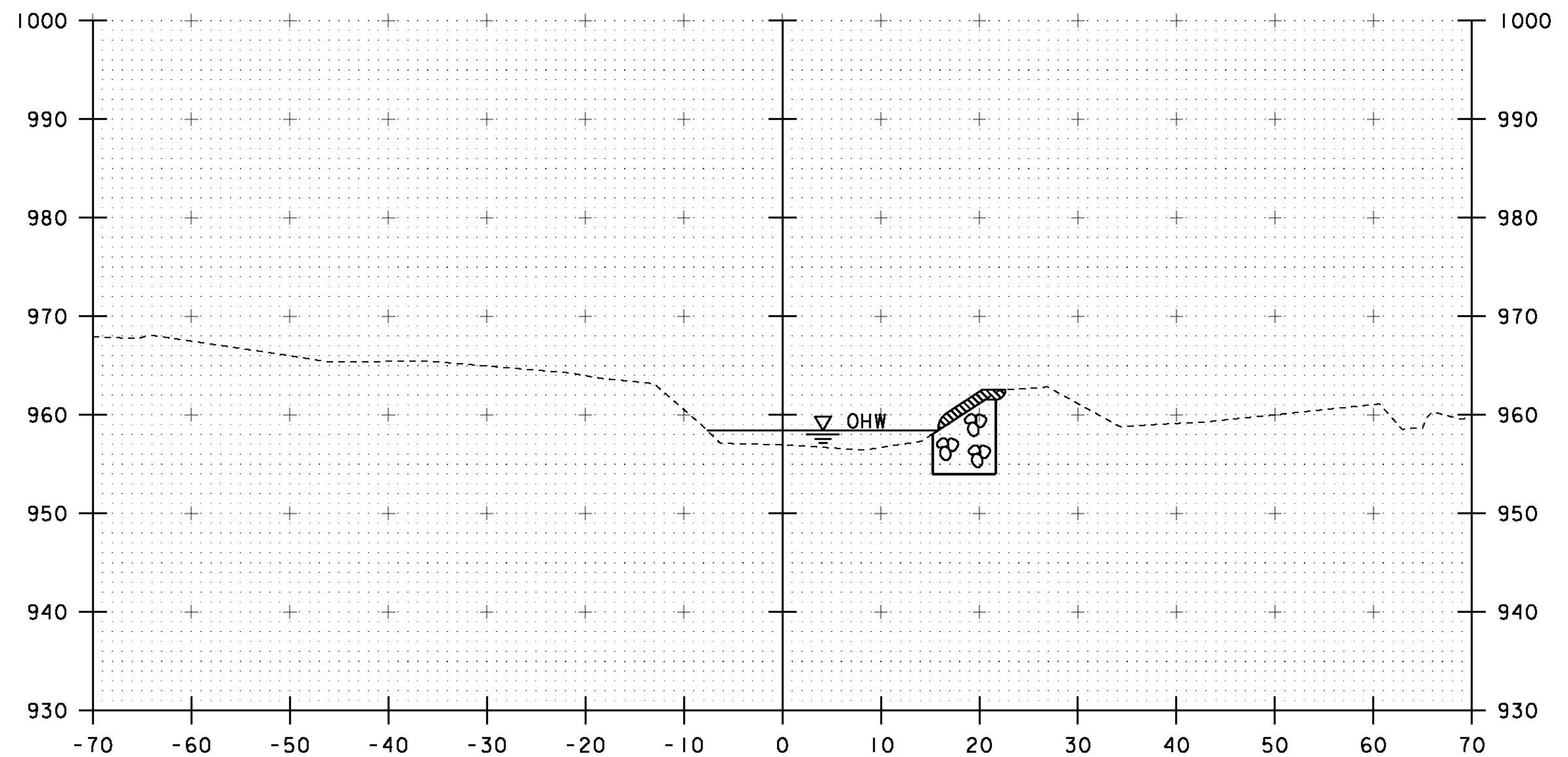
10+20



10+40



10+10



10+30

STA 10+12.83
BEGIN GRUBBING MATERIAL
STONE FILL, TYPE I

STA 10+18.37 RT
END STONE FILL, TYPE I

STA 10+32.15 RT
END UNCLASSIFIED CHANNEL EXCAVATION
GRUBBING MATERIAL
STONE FILL, TYPE IV
GEOTEXTILE UNDER STONE FILL

PROJECT NAME: WOODSTOCK
PROJECT NUMBER: BRO 1444(55)

FILE NAME: s95j294xsl.dgn
PROJECT LEADER: K.M. HIGGINS
DESIGNED BY: J. SALVATORI
CHANNEL SECTIONS 2

PLOT DATE: 13-FEB-2013
DRAWN BY: J. SALVATORI
CHECKED BY: W. LAMMER
SHEET 26 OF 28

STA. 10+10 TO STA. 10+40