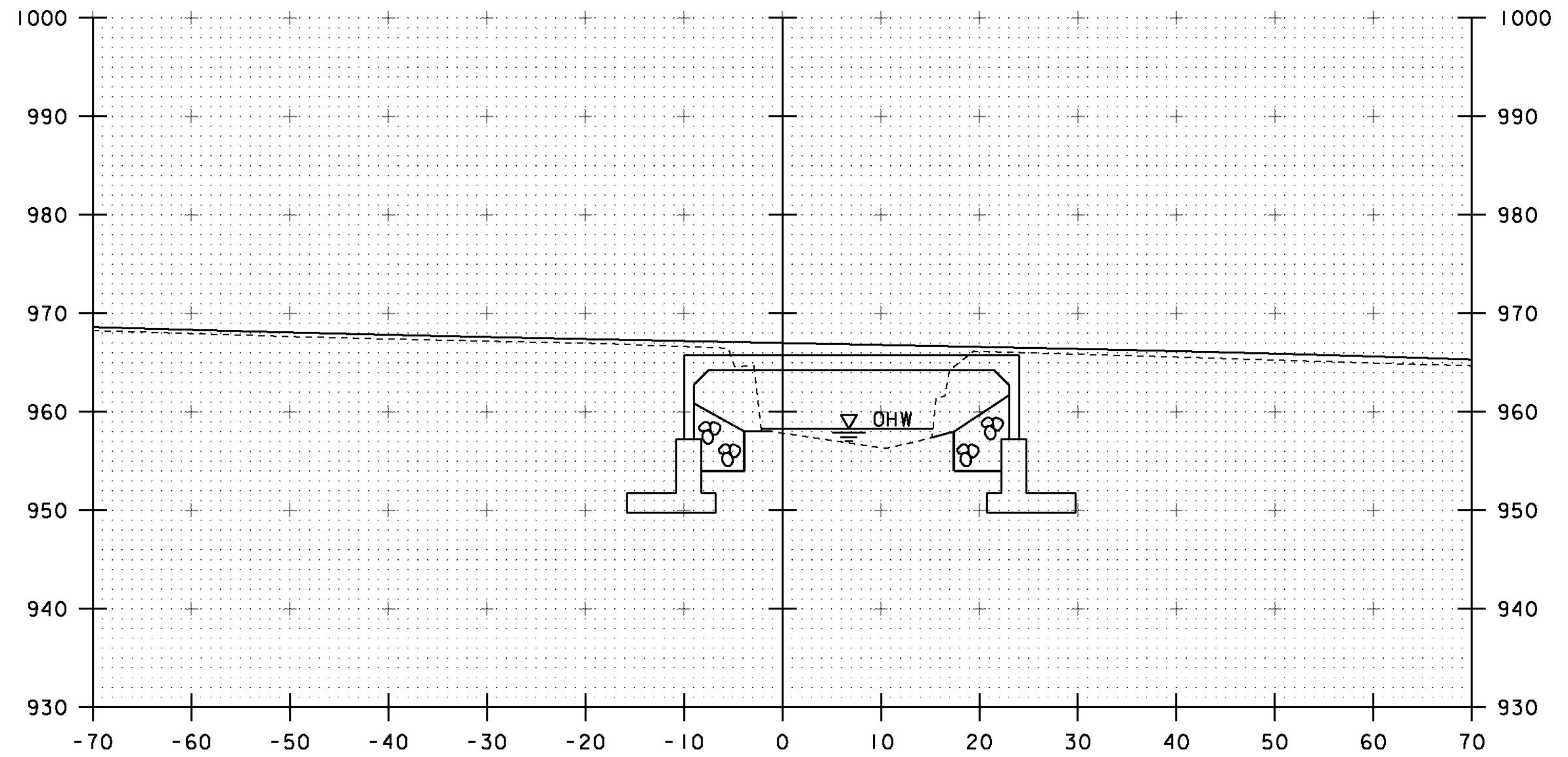
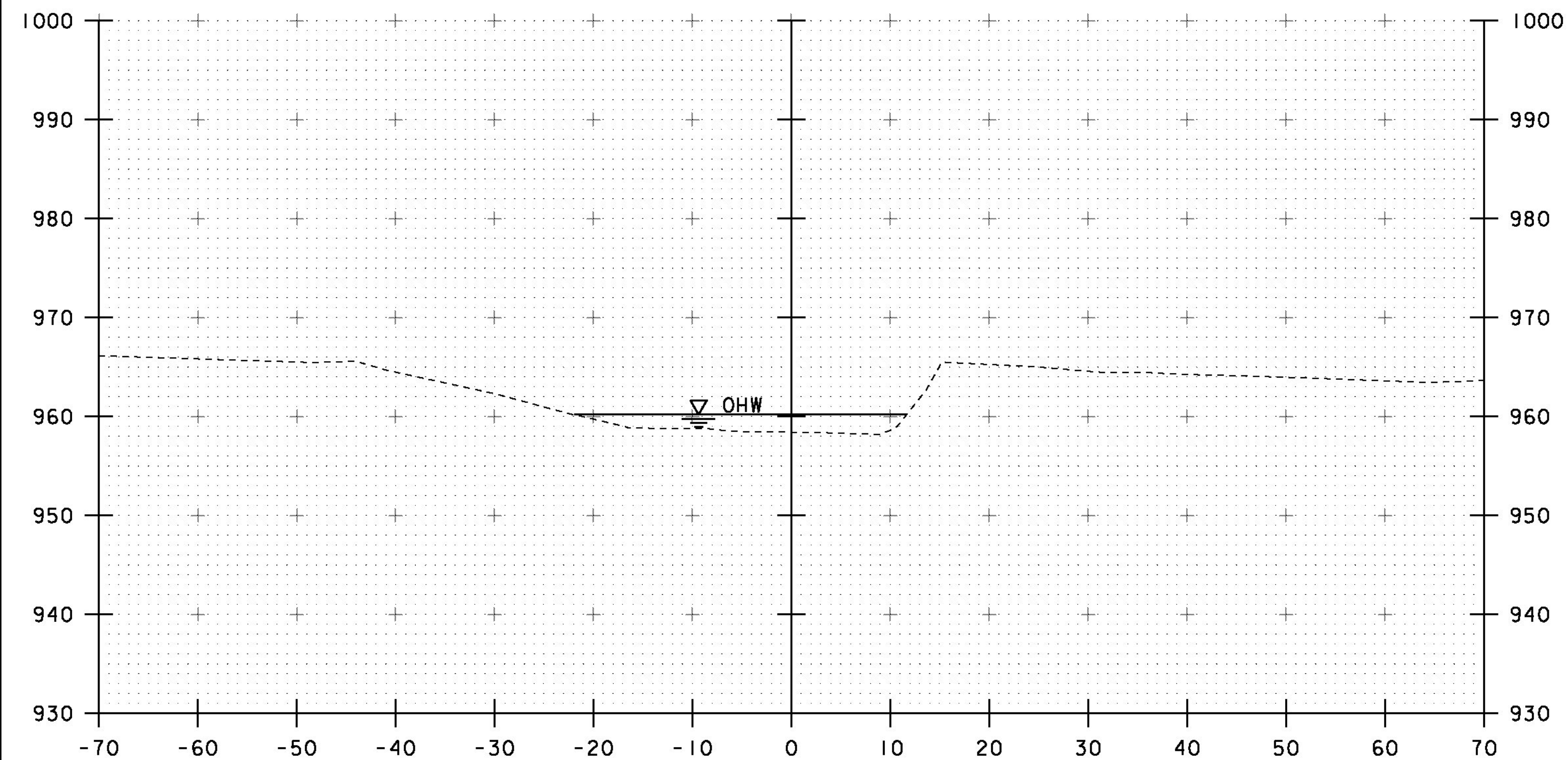


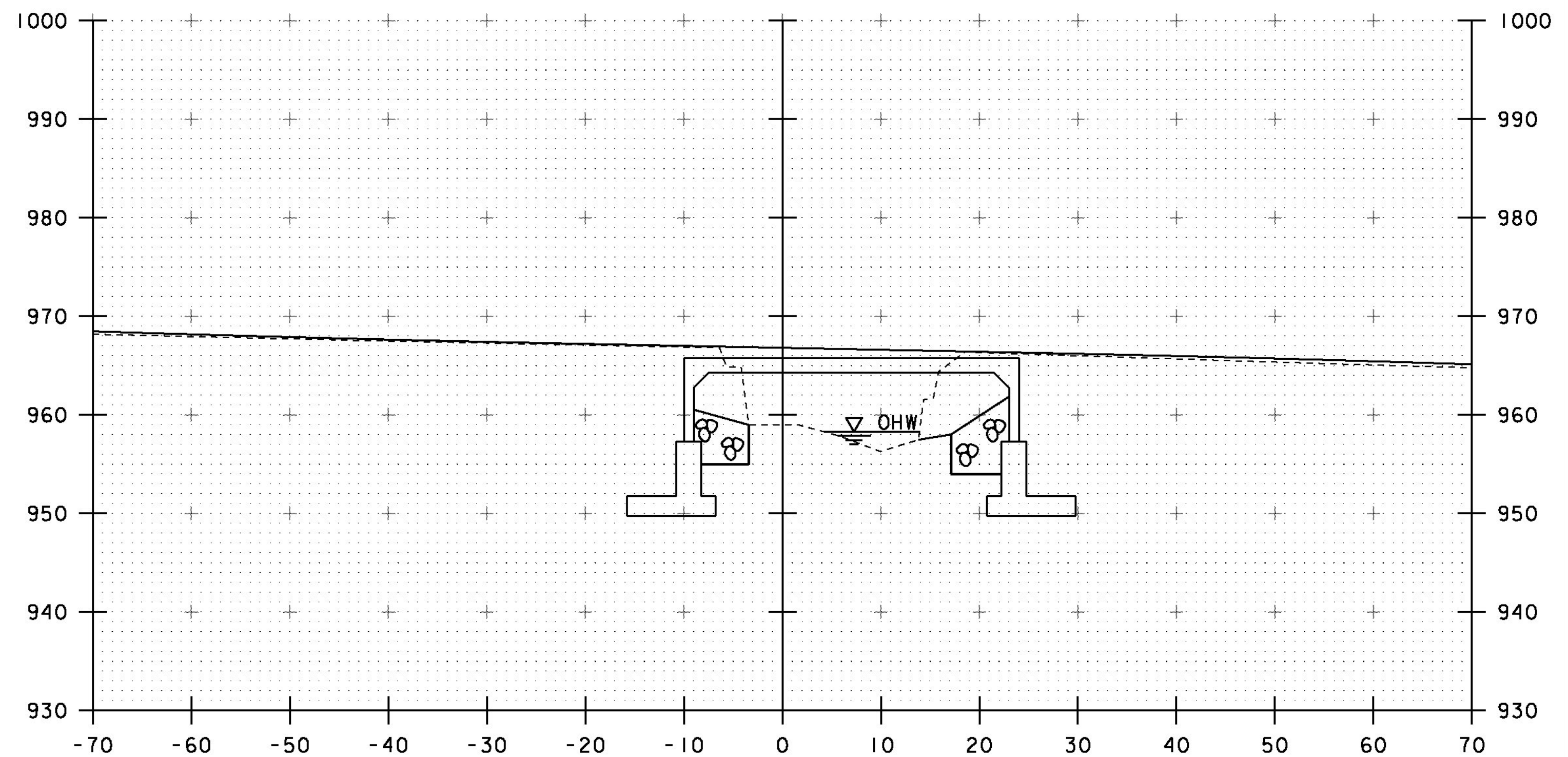
9+80



10+00



9+70



9+90

STA 9+72.40 LT  
 BEGIN UNCLASSIFIED CHANNEL EXCAVATION  
 GRUBBING MATERIAL  
 STONE FILL, TYPE IV  
 GEOTEXTILE UNDER STONE FILL

STA 9+78.00 LT  
 BEGIN STONE FILL, TYPE I

STA 9+72.40 RT  
 BEGIN UNCLASSIFIED CHANNEL EXCAVATION  
 GRUBBING MATERIAL  
 STONE FILL, TYPE IV  
 GEOTEXTILE UNDER STONE FILL

STA 9+78.17 RT  
 BEGIN STONE FILL, TYPE I

STA 9+87.17  
 END GRUBBING MATERIAL  
 STONE FILL, TYPE I

STA. 9+70 TO STA. 10+00

PROJECT NAME: WOODSTOCK  
 PROJECT NUMBER: BRO 1444(55)

FILE NAME: s95j294xsl.dgn  
 PROJECT LEADER: K.M. HIGGINS  
 DESIGNED BY: J. SALVATORI  
 CHANNEL SECTIONS I

PLOT DATE: 13-FEB-2013  
 DRAWN BY: J. SALVATORI  
 CHECKED BY: W. LAMMER  
 SHEET 25 OF 28