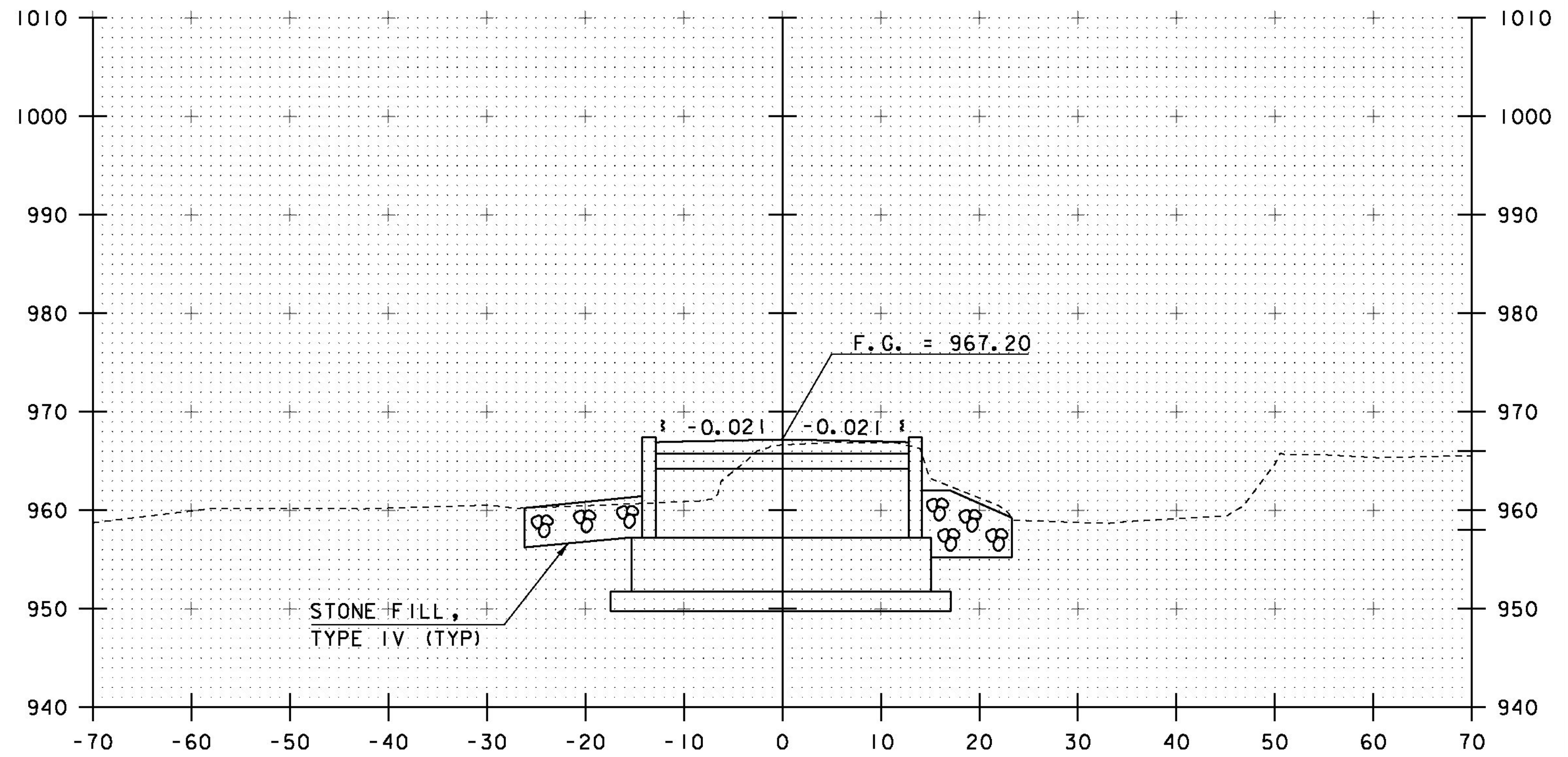
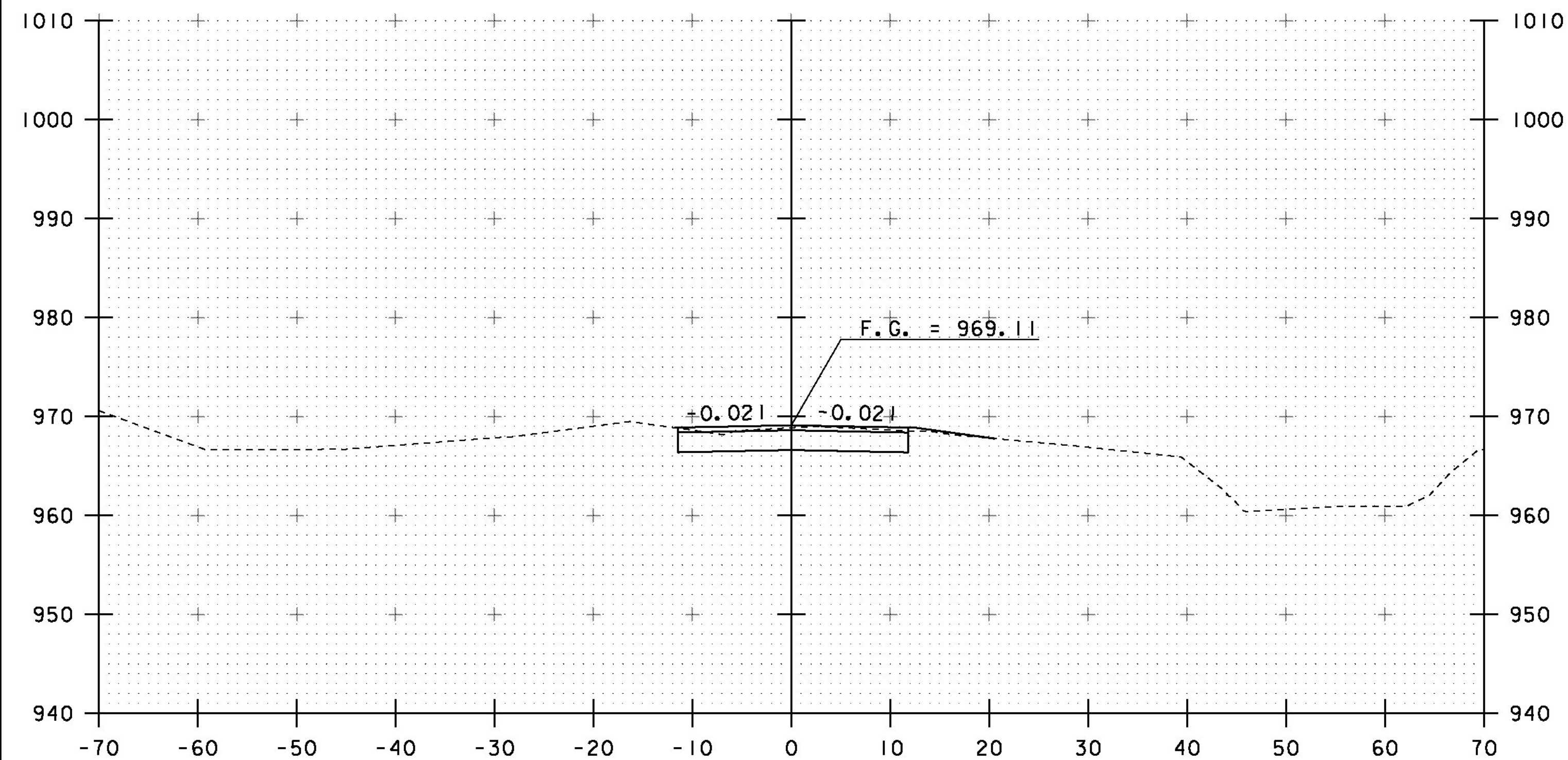


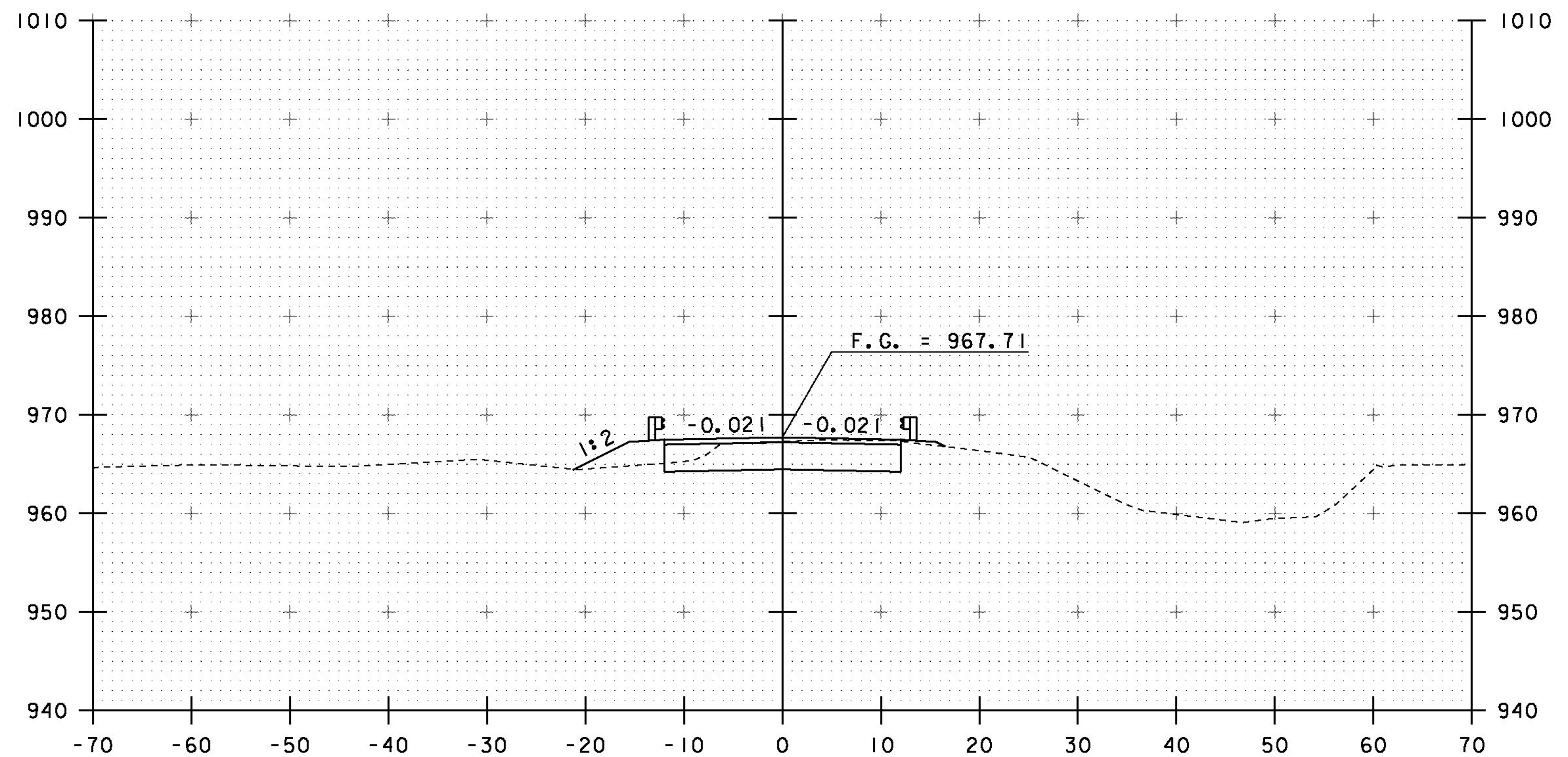
3+75
BEGIN PROJECT



4+25
BEGIN BRIDGE



3+50



4+00

STA. 3+50 TO STA. 4+25

PROJECT NAME:	WOODSTOCK	PLOT DATE:	13-FEB-2013
PROJECT NUMBER:	BRO 1444(55)	DRAWN BY:	J. SALVATORI
FILE NAME:	s95j294xsl.dgn	DESIGNED BY:	J. SALVATORI
PROJECT LEADER:	K.M. HIGGINS	CHECKED BY:	W. LAMMER
MAINLINE SECTIONS 2		SHEET	22 OF 28