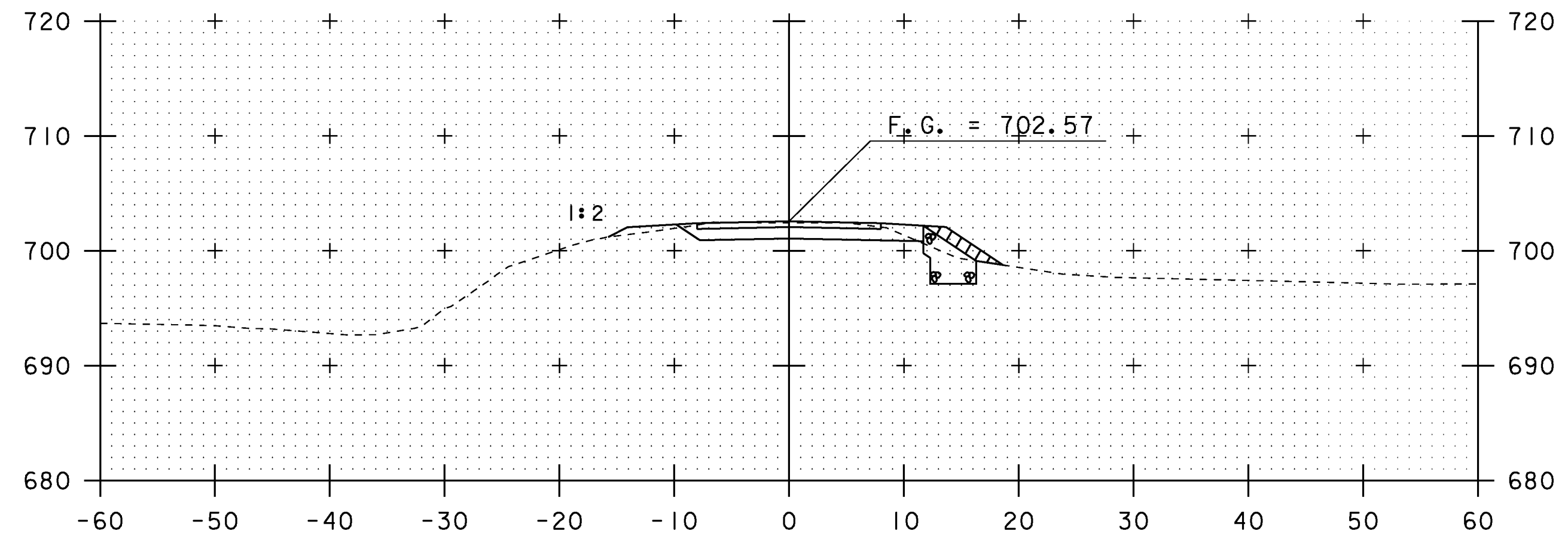
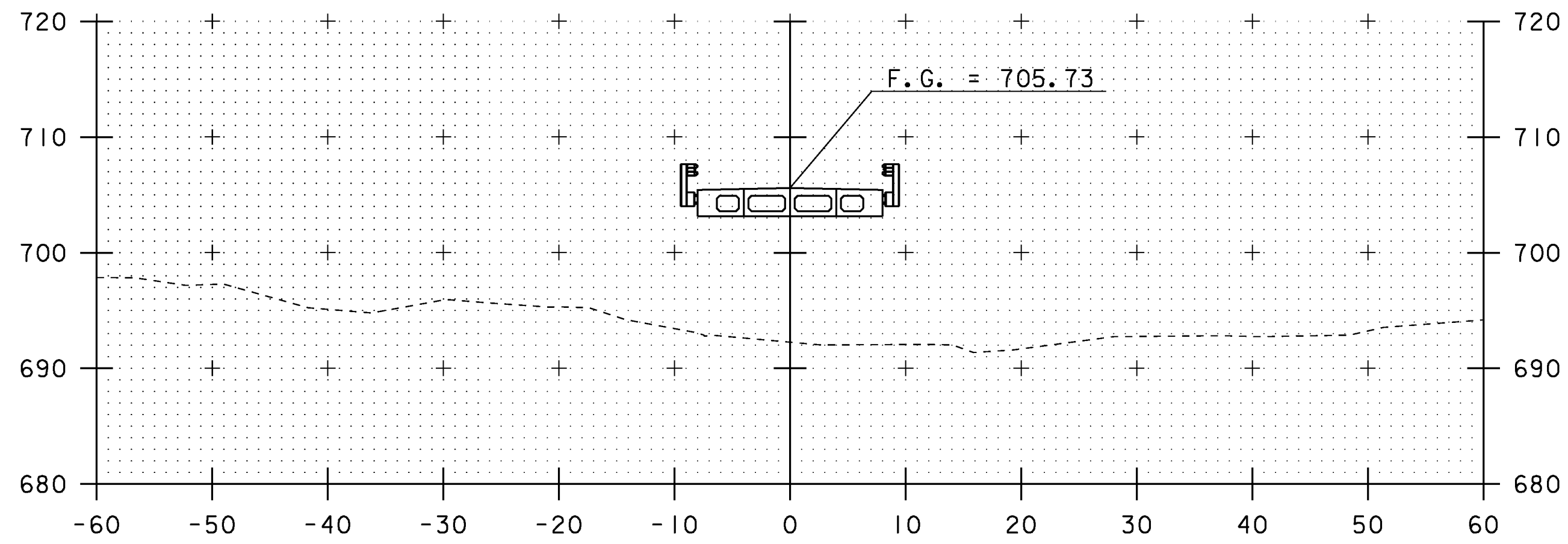


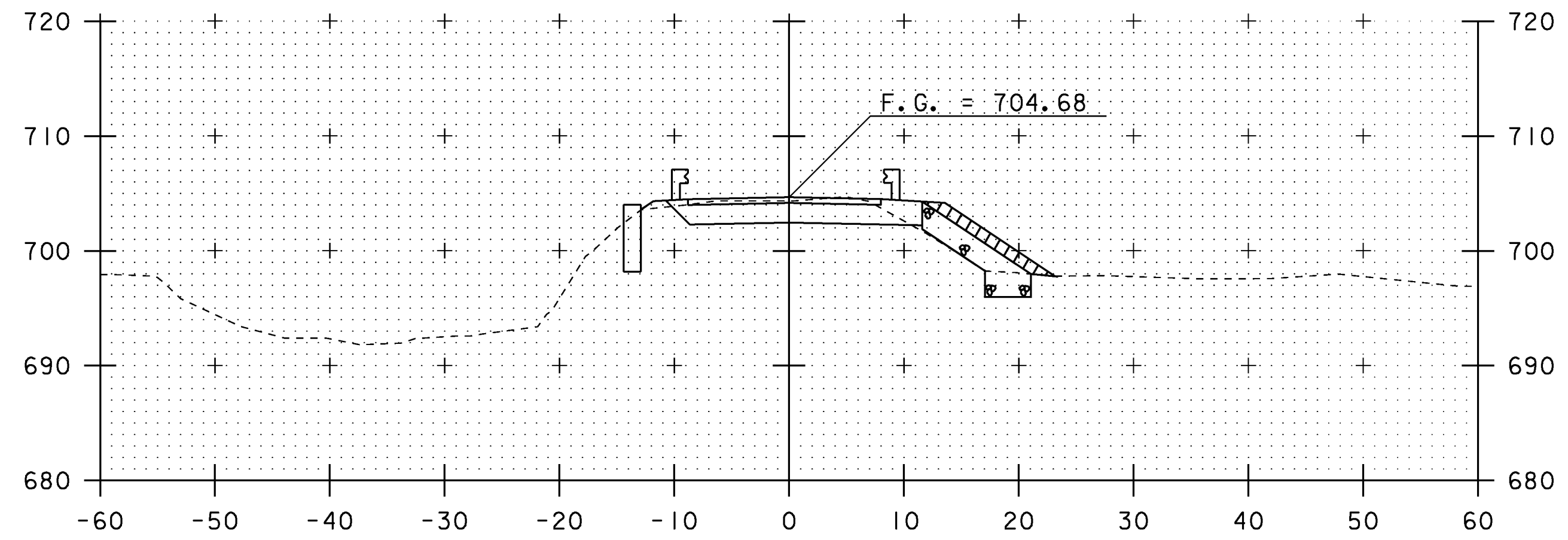
11+75



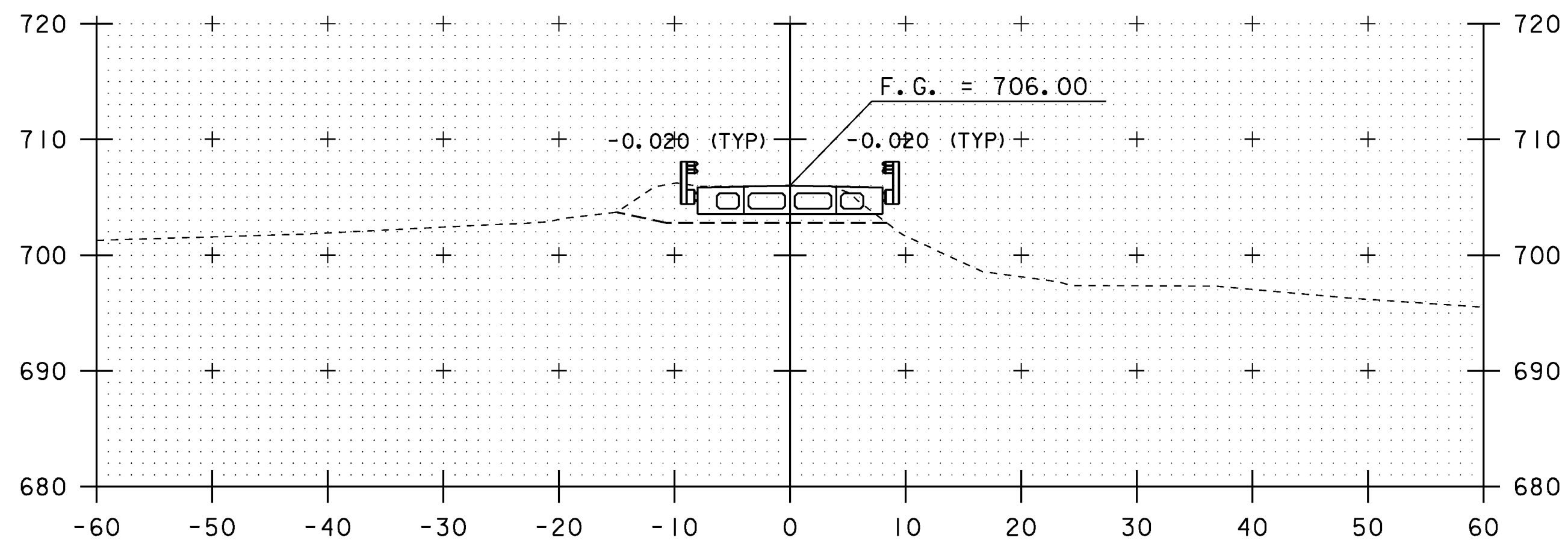
END PROJECT  
12+25



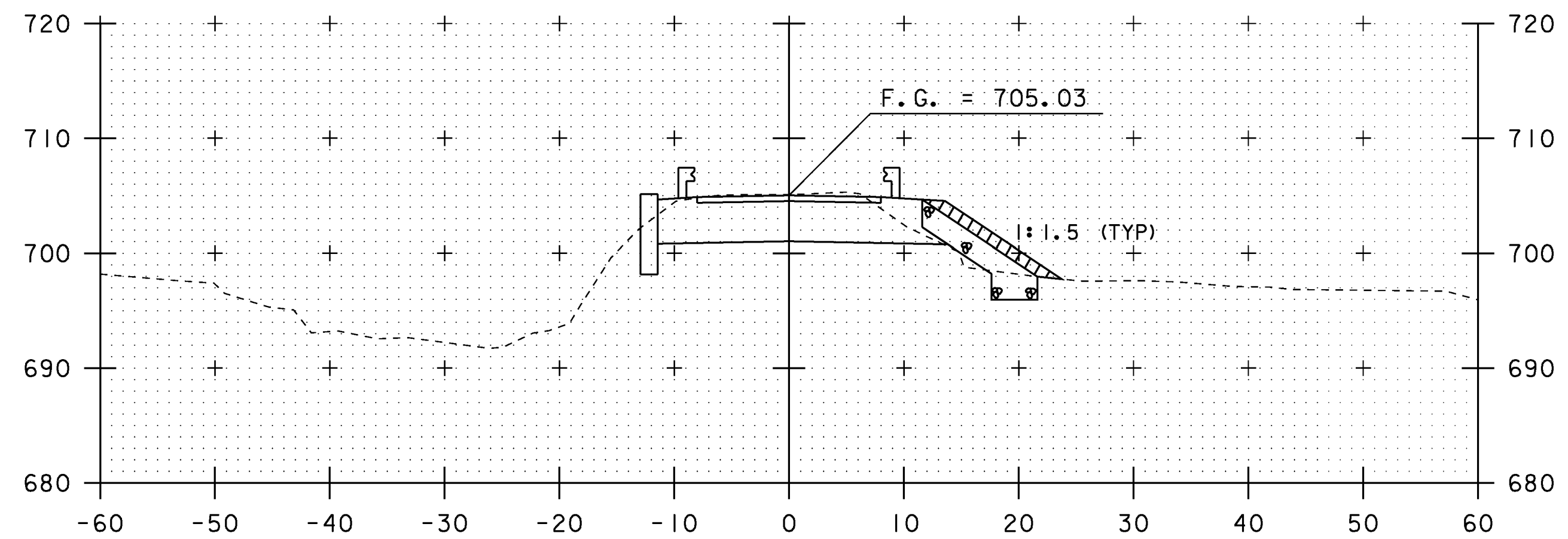
11+50



12+00



11+25



END BRIDGE  
11+90

SCALE 1" = 10'-0"  
10 0 10

STA. 11+25 TO STA. 12+25

PROJECT NAME: BRAINTREE  
PROJECT NUMBER: BRO 1444(36)

FILE NAME: s95j292xsl.dgn  
PROJECT LEADER: K. HIGGINS  
DESIGNED BY: T. FILLBACH  
MAINLINE SECTIONS

PLOT DATE: 31-DEC-2009  
DRAWN BY: T. FILLBACH  
CHECKED BY: R. PELLETT  
SHEET 24 OF 26