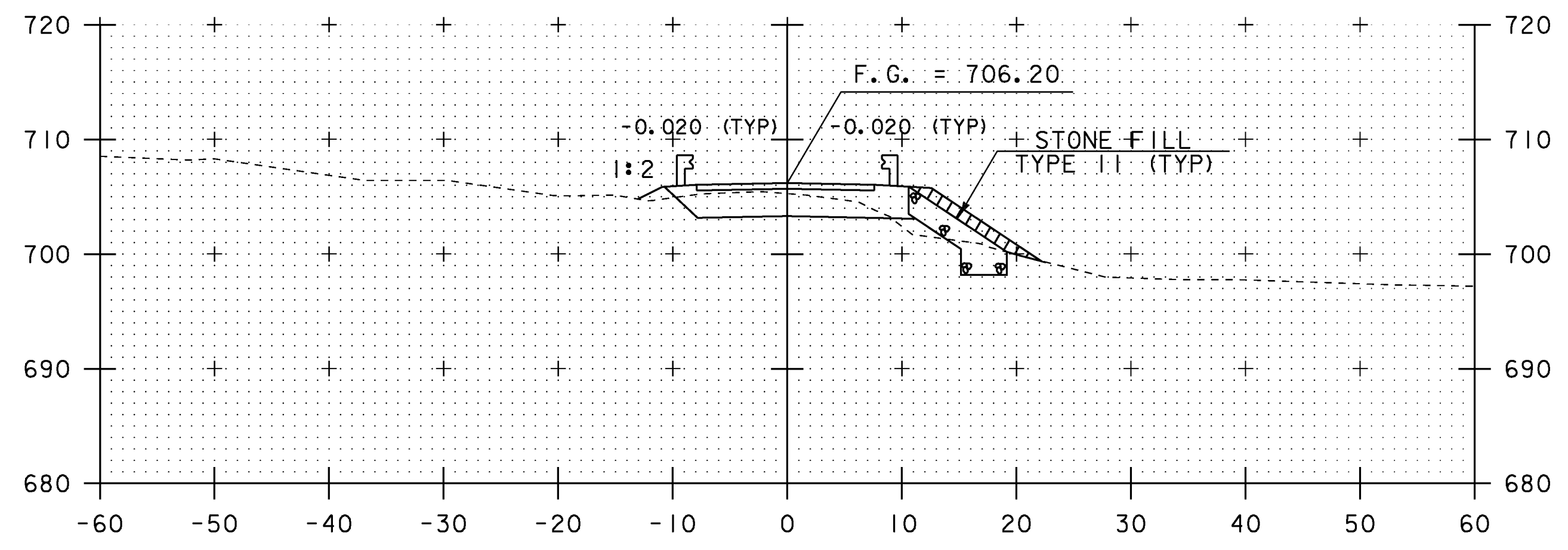
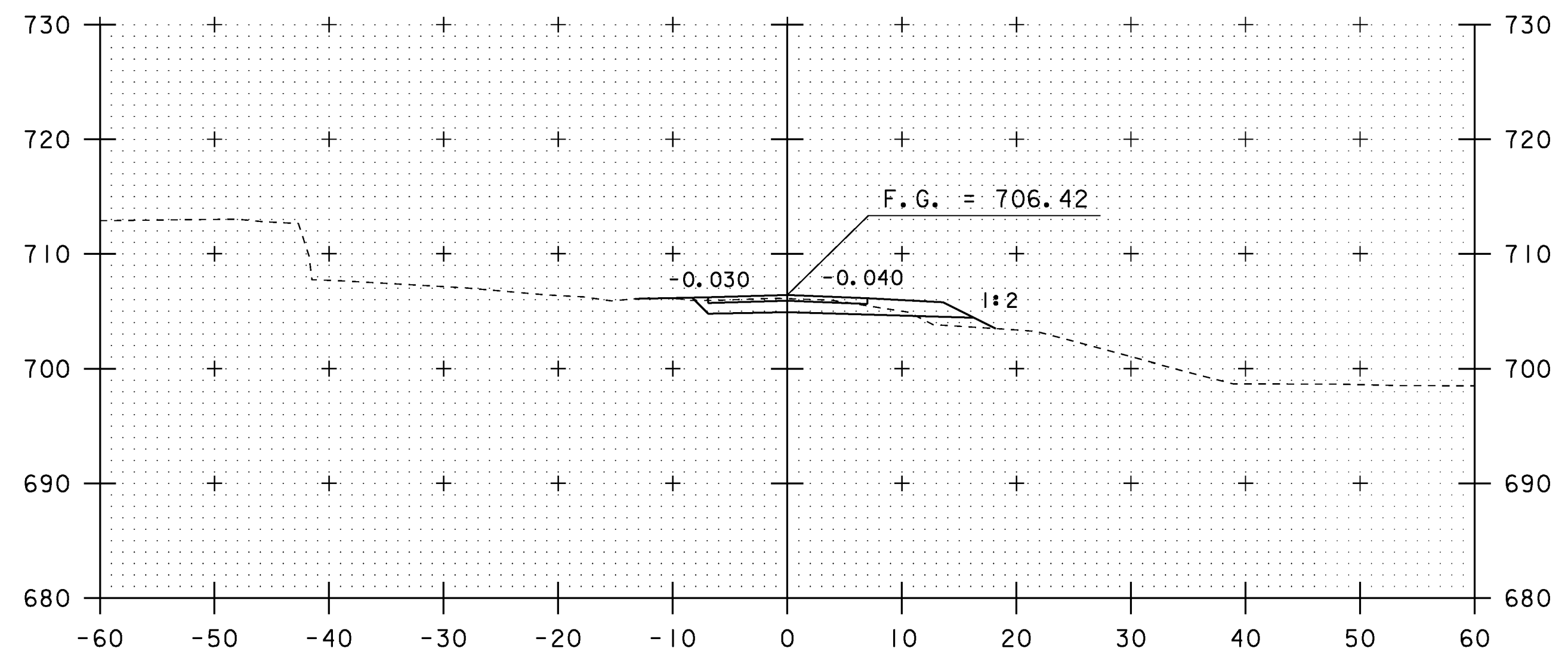


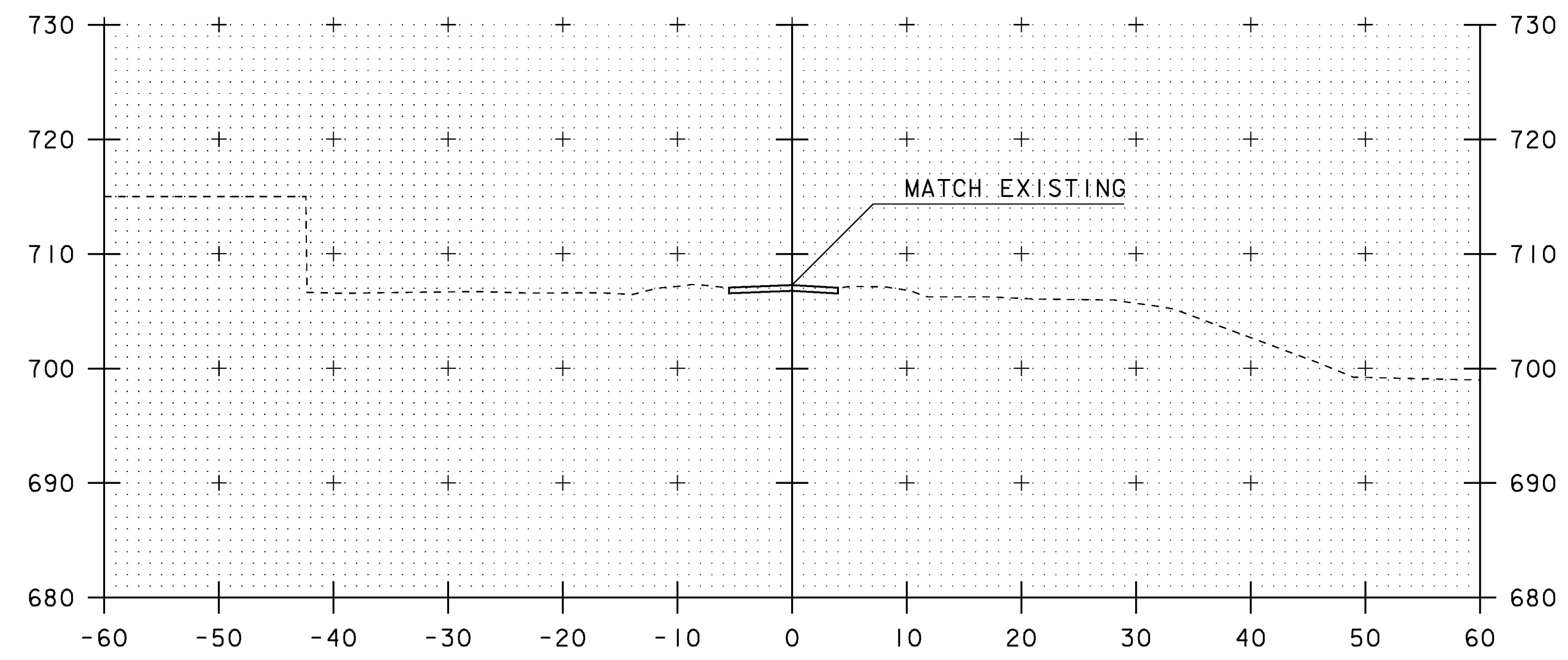
BEGIN BRIDGE
11+20



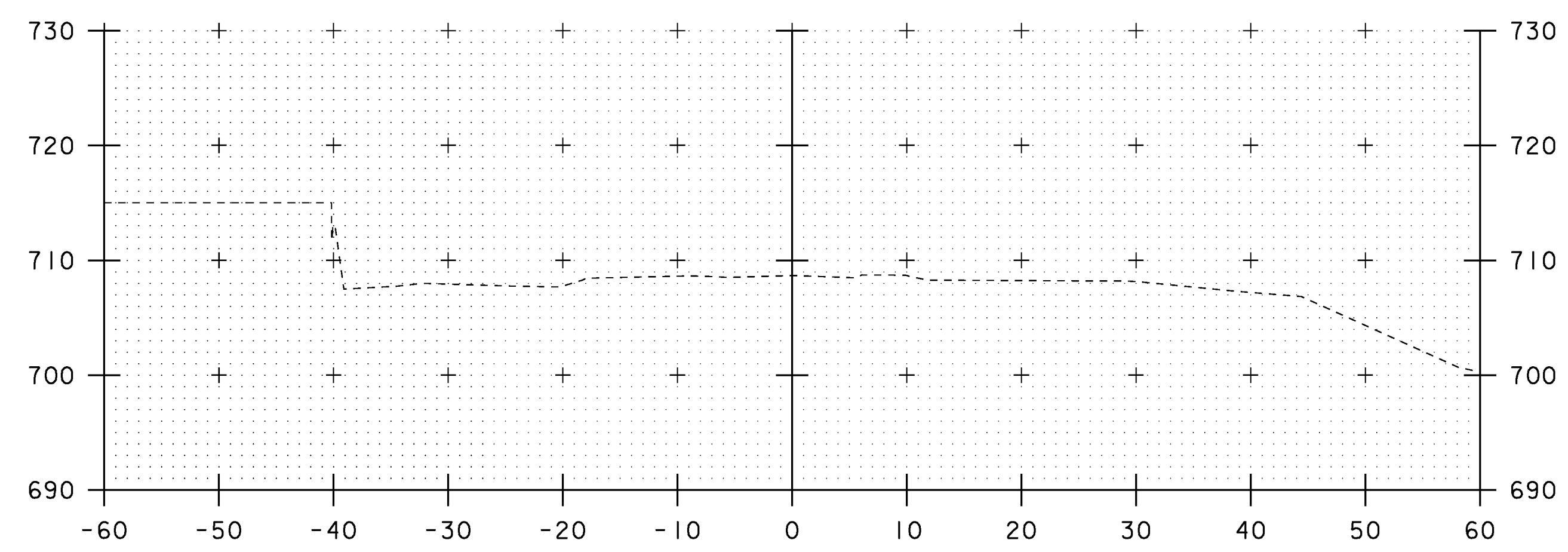
11+00



BEGIN PROJECT
10+75



BEGIN APPROACH
10+50



10+25

SCALE 1" = 10'-0"
10 0 10

STA. 10+25 TO STA. 11+20

PROJECT NAME: BRAINTREE	PLOT DATE: 31-DEC-2009
PROJECT NUMBER: BRO 1444(36)	DRAWN BY: T. FILLBACH
FILE NAME: s95j292xsl.dgn	CHECKED BY: R. PELLETT
PROJECT LEADER: K. HIGGINS	SHEET 23 OF 26
DESIGNED BY: T. FILLBACH	
MAINLINE SECTIONS	