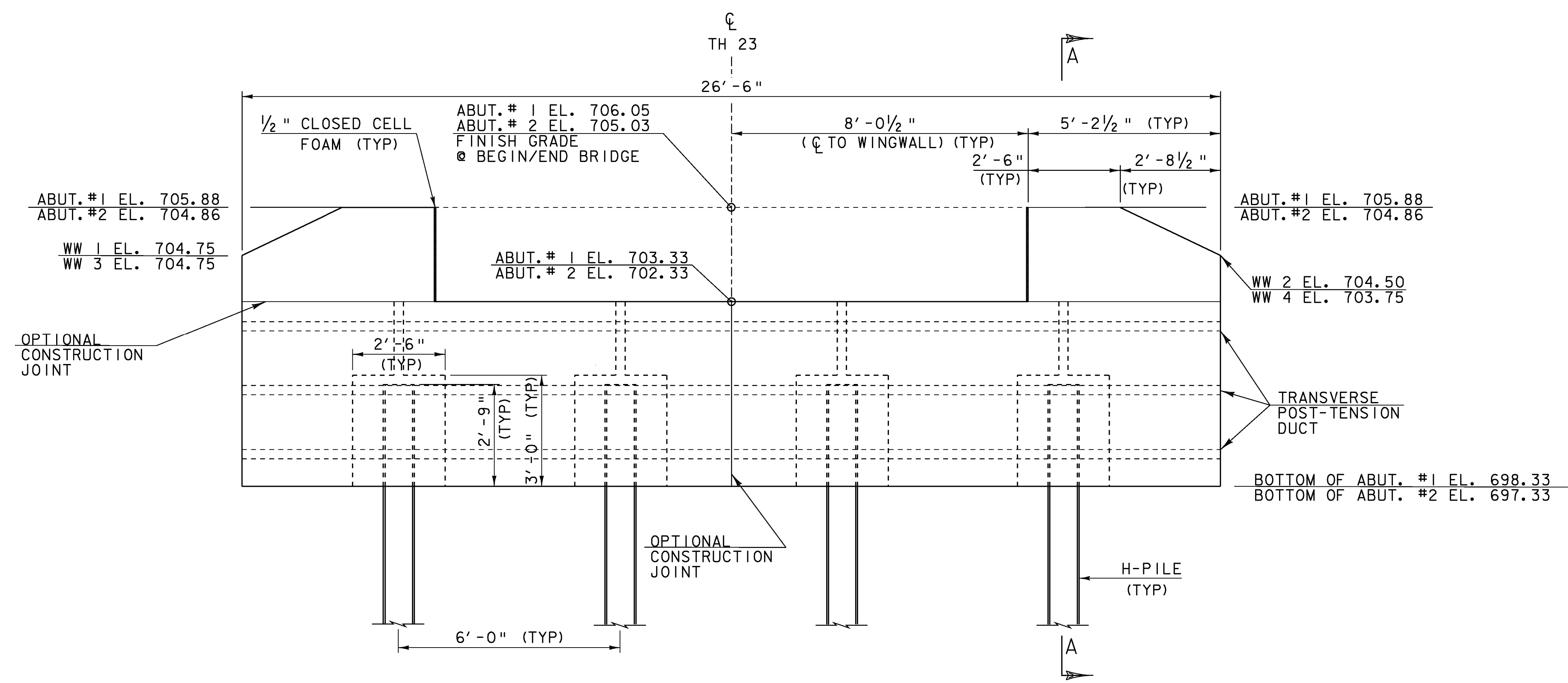


TYPICAL ABUTMENT PLAN

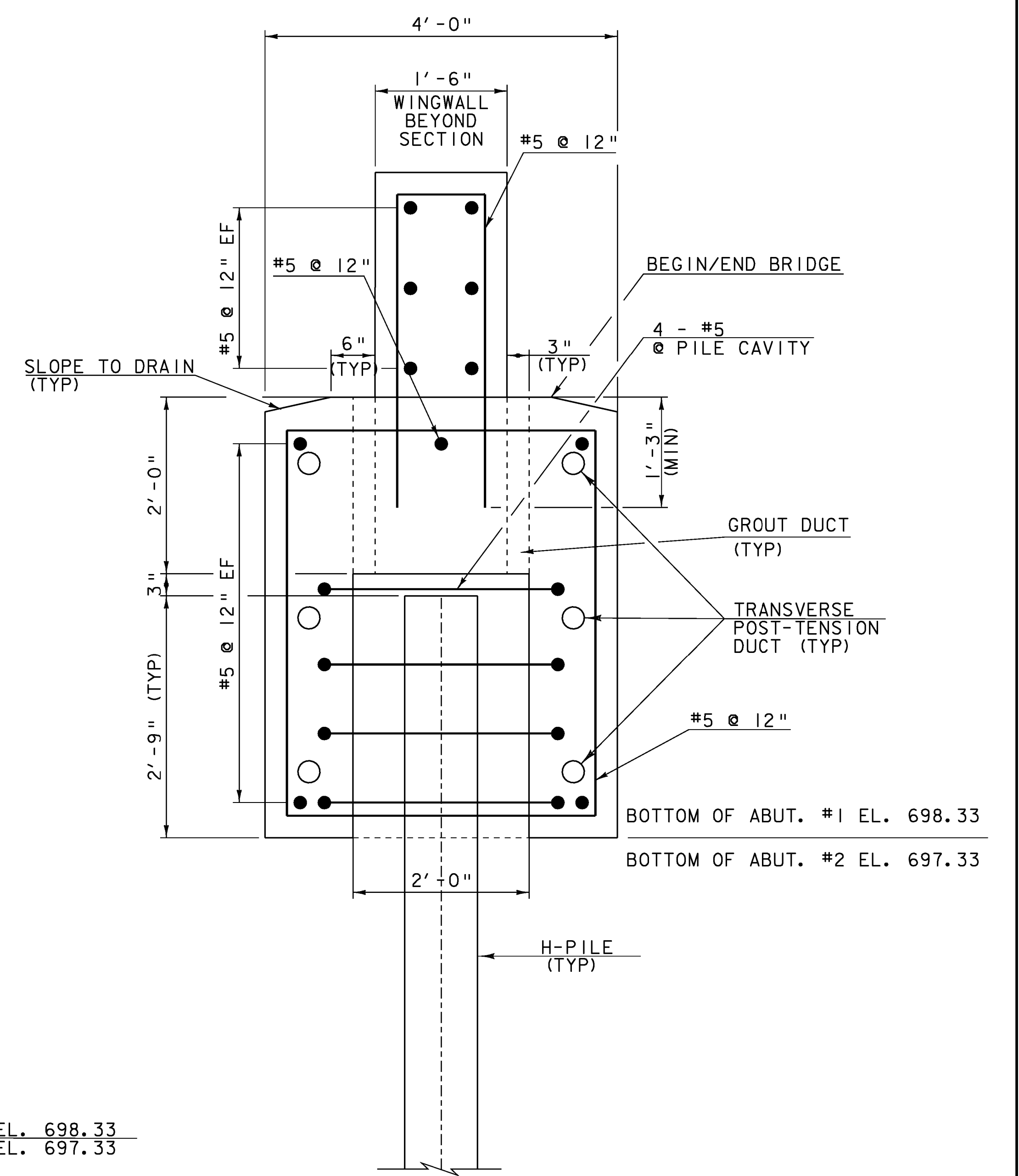
SCALE 1/2" = 1'-0"



TYPICAL ABUTMENT ELEVATION

SCALE 1/2" = 1'-0"

NOT BUILT, USED CAST-IN-PLACE
 SEE SHOP DRAWINGS FOR DETAILS



SECTION A-A

SCALE 1" = 1'-0"

NOTE:
 NF = NEAR FACE
 FF = FAR FACE
 EF = EACH FACE
 ▲ = CUT TO FIT IN FIELD
 3" CLEAR, UNLESS OTHERWISE
 SPECIFIED ON THE PLANS.
 2'-2" BAR LAP UNLESS OTHERWISE
 SPECIFIED ON THE PLANS.

NOTES:
 ONCE PILES HAVE BEEN CUT TO THEIR FINAL
 ELEVATIONS, 1" x 12" x 12" STEEL PLATES
 SHALL BE WELDED TO THE TOP OF THE PILES.

PILE CAVITY GROUT (FILL AND VENT) DUCTS
 SHALL BE CORRUGATED.

SEE GENERAL NOTES FOR ADDITIONAL FABRICATION,
 CONSTRUCTION AND SEQUENCE NOTES.

PROJECT NAME:	BRAINTREE	PLOT DATE:	14-JAN-2010
PROJECT NUMBER:	BRO 1444(36)	DRAWN BY:	K. PATTERSON
FILE NAME:	s95J292sub.dgn	CHECKED BY:	T. FILLBACH
PROJECT LEADER:	K. HIGGINS	SHEET	19 OF 26
DESIGNED BY:	T. FILLBACH		
ABUTMENTS			