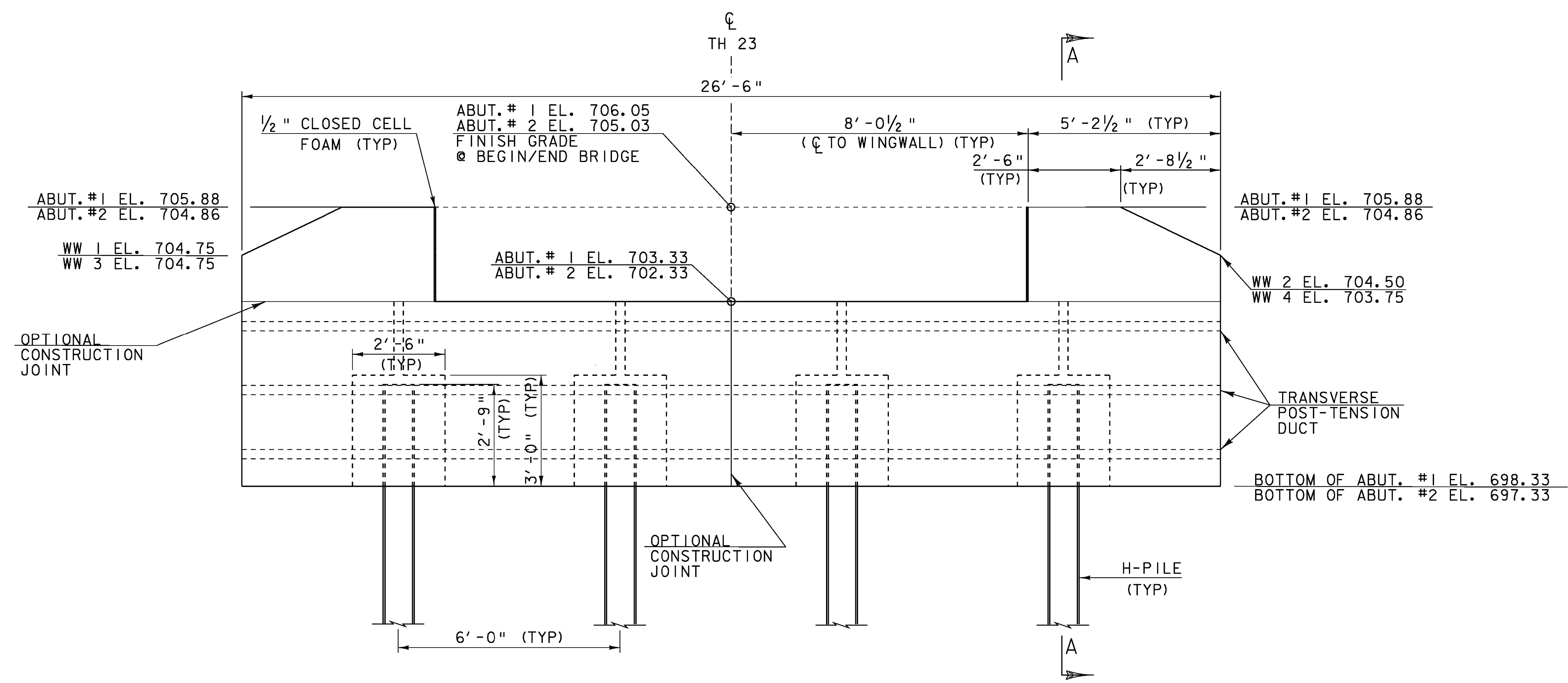


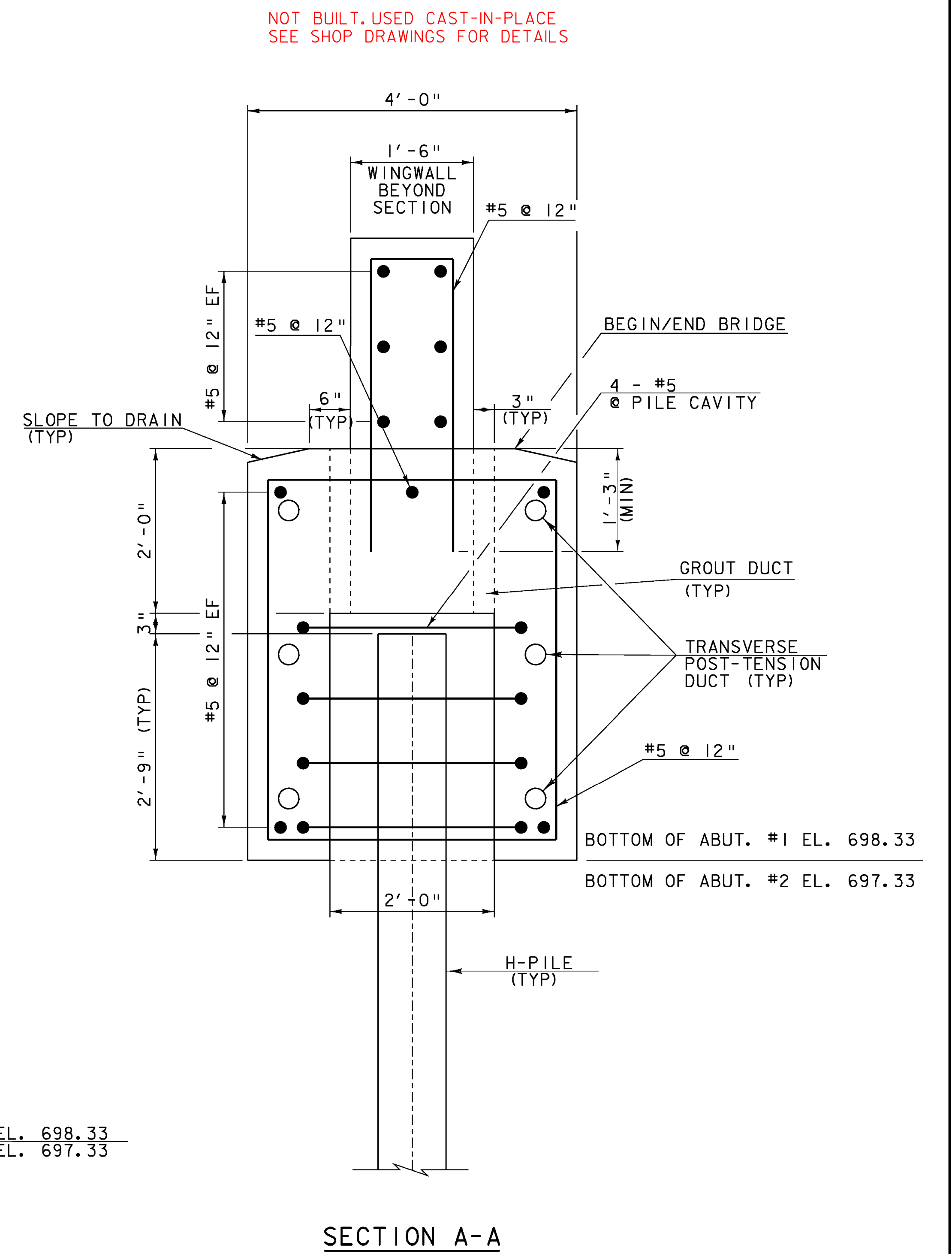
TYPICAL ABUTMENT PLAN

SCALE 1/2" = 1'-0"



TYPICAL ABUTMENT ELEVATION

SCALE 1/2" = 1'-0"



SECTION A-A

SCALE 1" = 1'-0"

NOTE:
 NF = NEAR FACE
 FF = FAR FACE
 EF = EACH FACE
 ▲ = CUT TO FIT IN FIELD
 3" CLEAR, UNLESS OTHERWISE SPECIFIED ON THE PLANS.
 2'-2" BAR LAP UNLESS OTHERWISE SPECIFIED ON THE PLANS.

NOTES:
 ONCE PILES HAVE BEEN CUT TO THEIR FINAL ELEVATIONS, 1" x 12" x 12" STEEL PLATES SHALL BE WELDED TO THE TOP OF THE PILES.

PILE CAVITY GROUT (FILL AND VENT) DUCTS SHALL BE CORRUGATED.

SEE GENERAL NOTES FOR ADDITIONAL FABRICATION, CONSTRUCTION AND SEQUENCE NOTES.

PROJECT NAME: BRAINTREE	PLOT DATE: 14-JAN-2010
PROJECT NUMBER: BRO 1444(36)	DRAWN BY: K. PATTERSON
FILE NAME: s95j292sub.dgn	CHECKED BY: T. FILLBACH
PROJECT LEADER: K. HIGGINS	SHEET 19 OF 26
DESIGNED BY: T. FILLBACH	
ABUTMENTS	

NOT BUILT, USED CAST-IN-PLACE
 SEE SHOP DRAWINGS FOR DETAILS