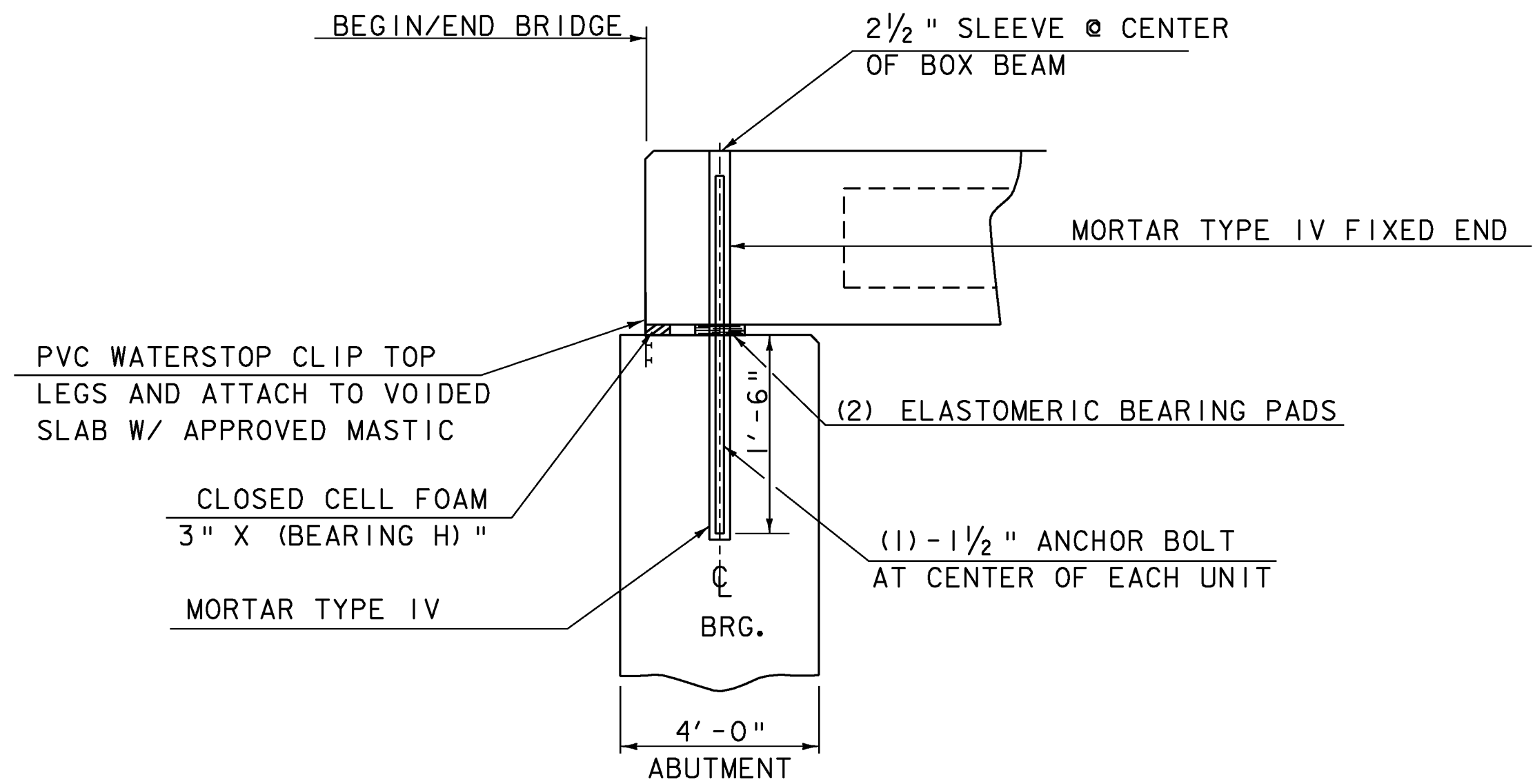
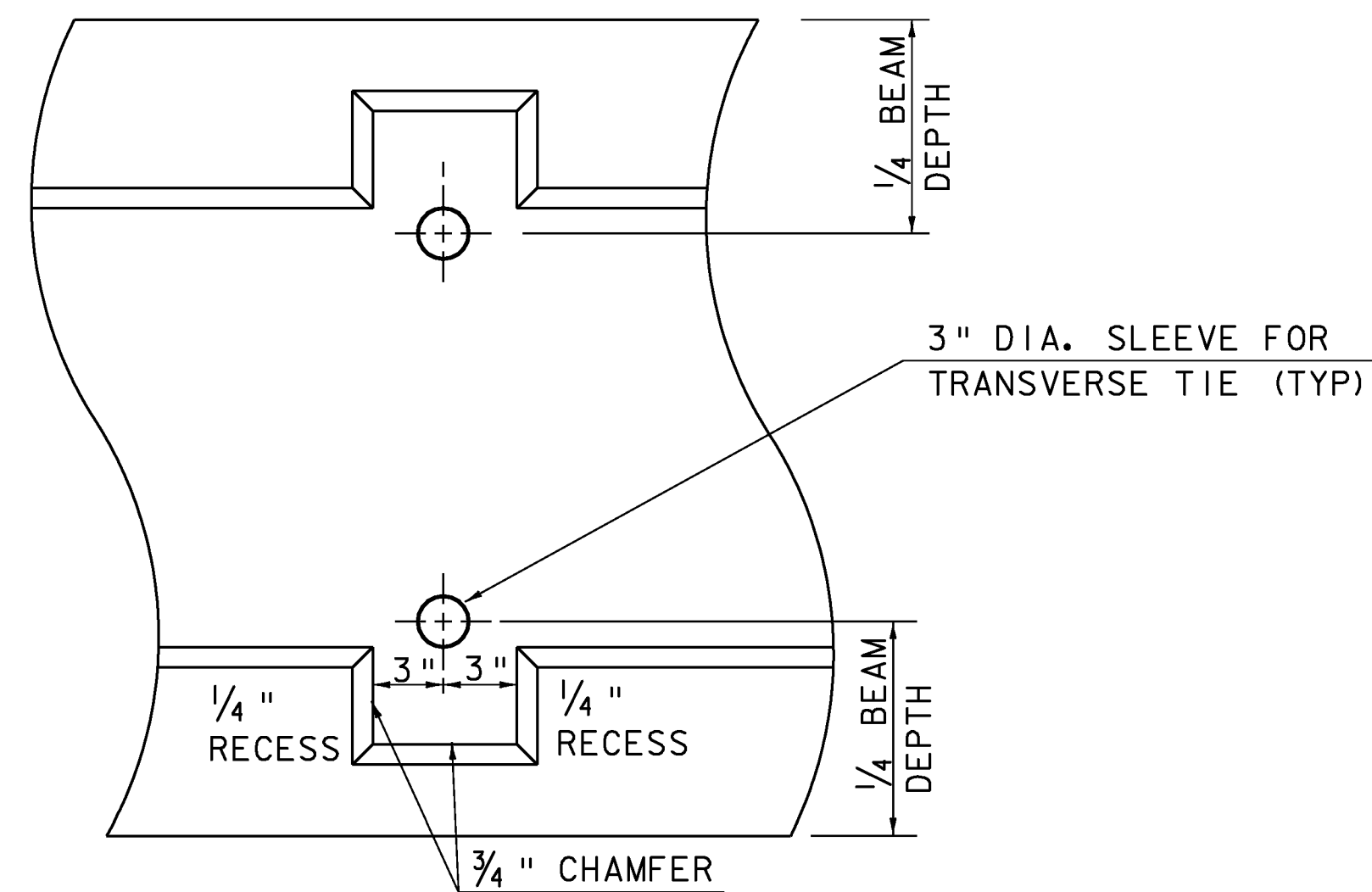


**1/2"Ø TRANSVERSE TENDON DETAIL**  
(NOT TO SCALE)

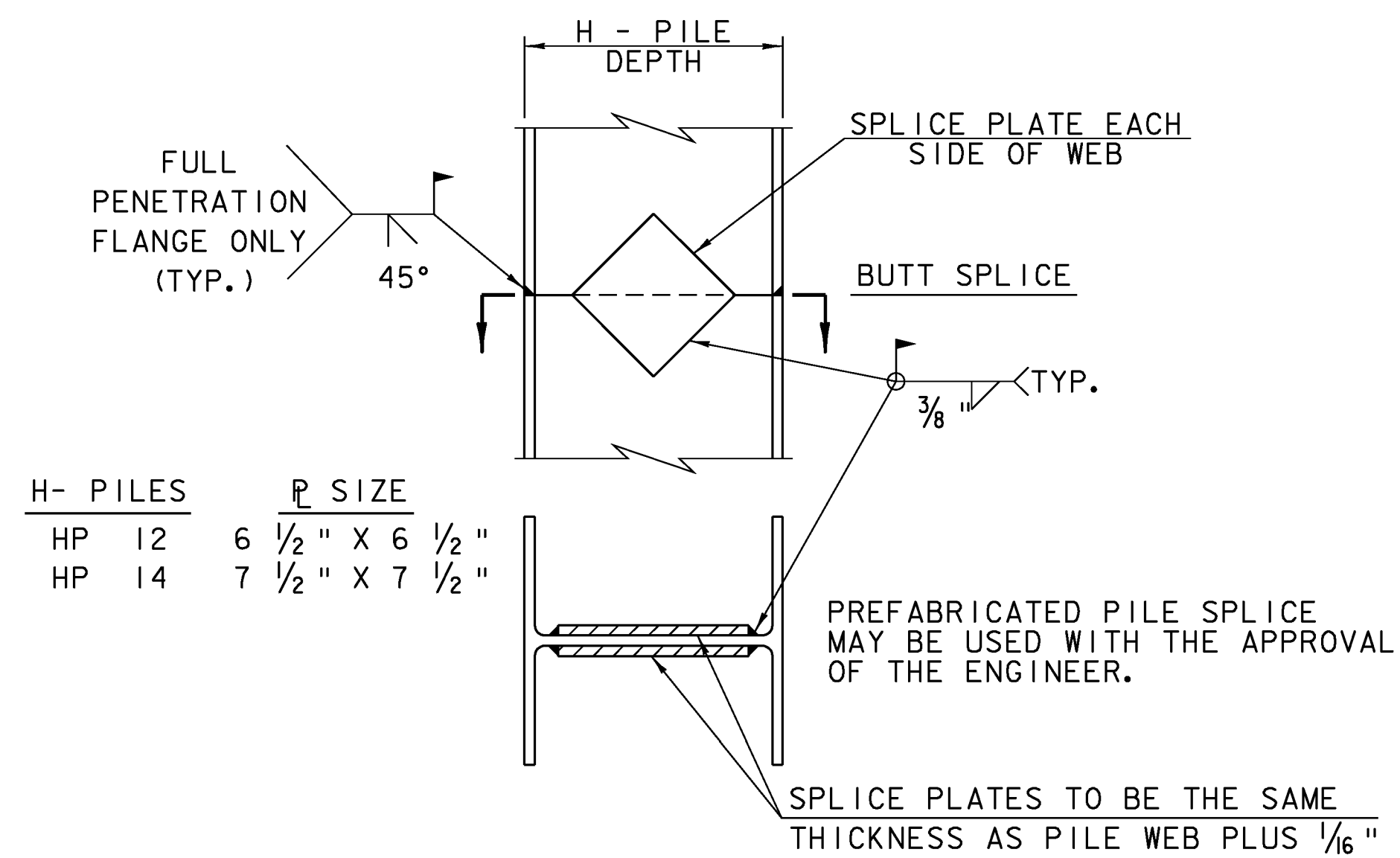
\* TRANSVERSE TIES SHALL BE COVERED BY SEAMLESS POLYPROPYLENE SHEATH (WITH CORROSION INHIBITER GREASE BETWEEN SHEATH AND STRAND) FOR THE LENGTH OF STRAND, EXCEPT AT ANCHORAGE LOCATIONS, EACH STRAND SHALL BE TENSIONED TO 33 KIPS



**VOIDED SLAB/BOX BEAM  
NO PAVEMENT/NO APPROACH SLAB**  
(NOT TO SCALE)



**TYPICAL BEAM ELEVATION AT  
TRANSVERSE TIE LOCATIONS**  
(NOT TO SCALE)



H- PILES	R SIZE
HP 12	6 1/2" X 6 1/2"
HP 14	7 1/2" X 7 1/2"

**DETAIL OF PILE SPLICE**  
(NOT TO SCALE)

PROJECT NAME: BRAINTREE	PLOT DATE: 31-DEC-2009
PROJECT NUMBER: BRO 1444(36)	DRAWN BY: K. PATTERSON
FILE NAME: s95J292sup.dgn	CHECKED BY: T. FILLBACH
PROJECT LEADER: K. HIGGINS	SHEET 17 OF 26
DESIGNED BY: T. FILLBACH	
BOX BEAM DETAILS #2	