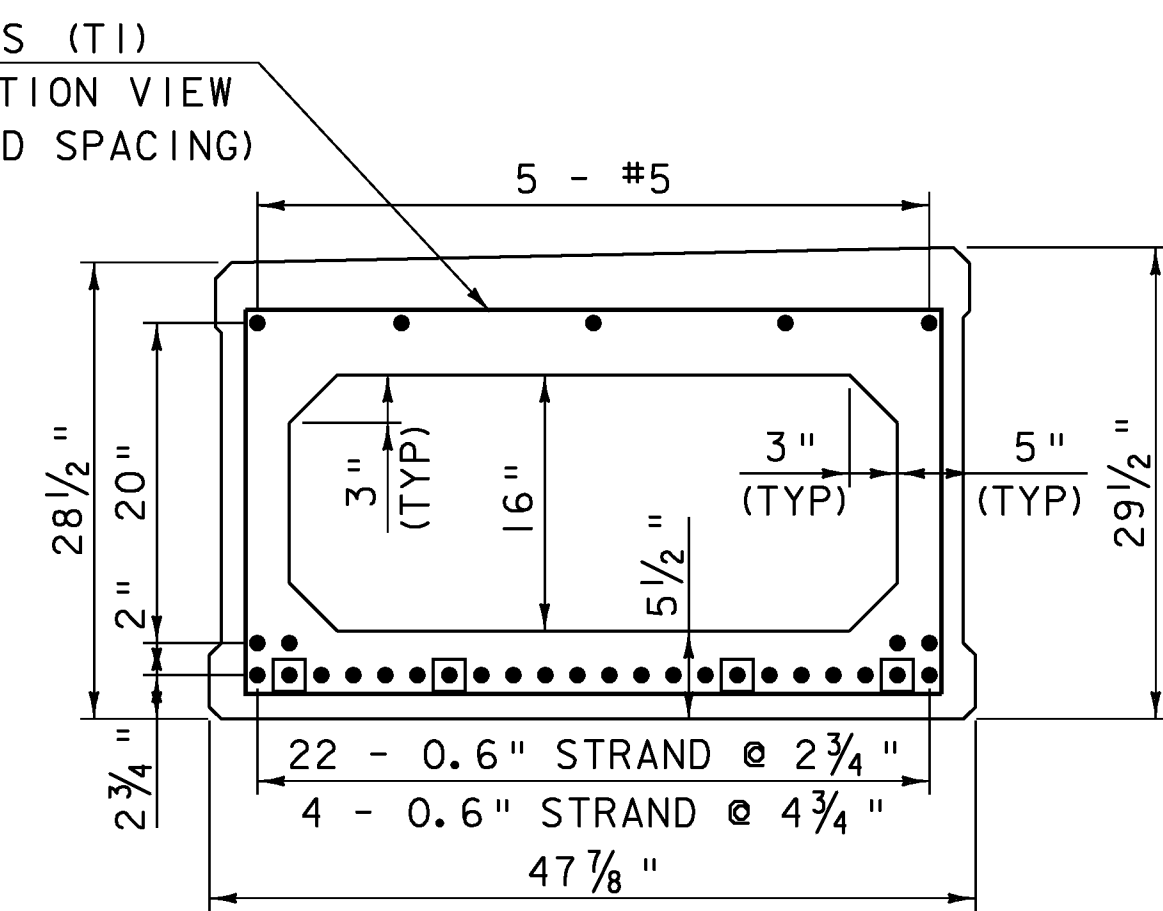
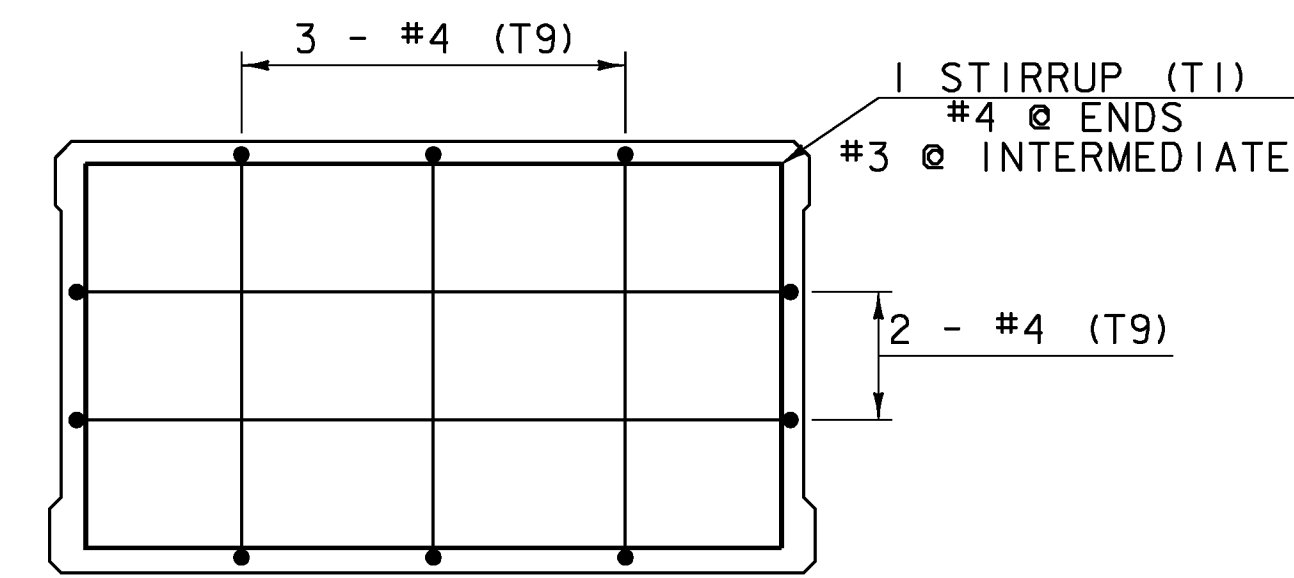


PRESTRESSED CONCRETE BOX BEAM
(27 1/2" - 28 1/2" x 48")
EXTERIOR



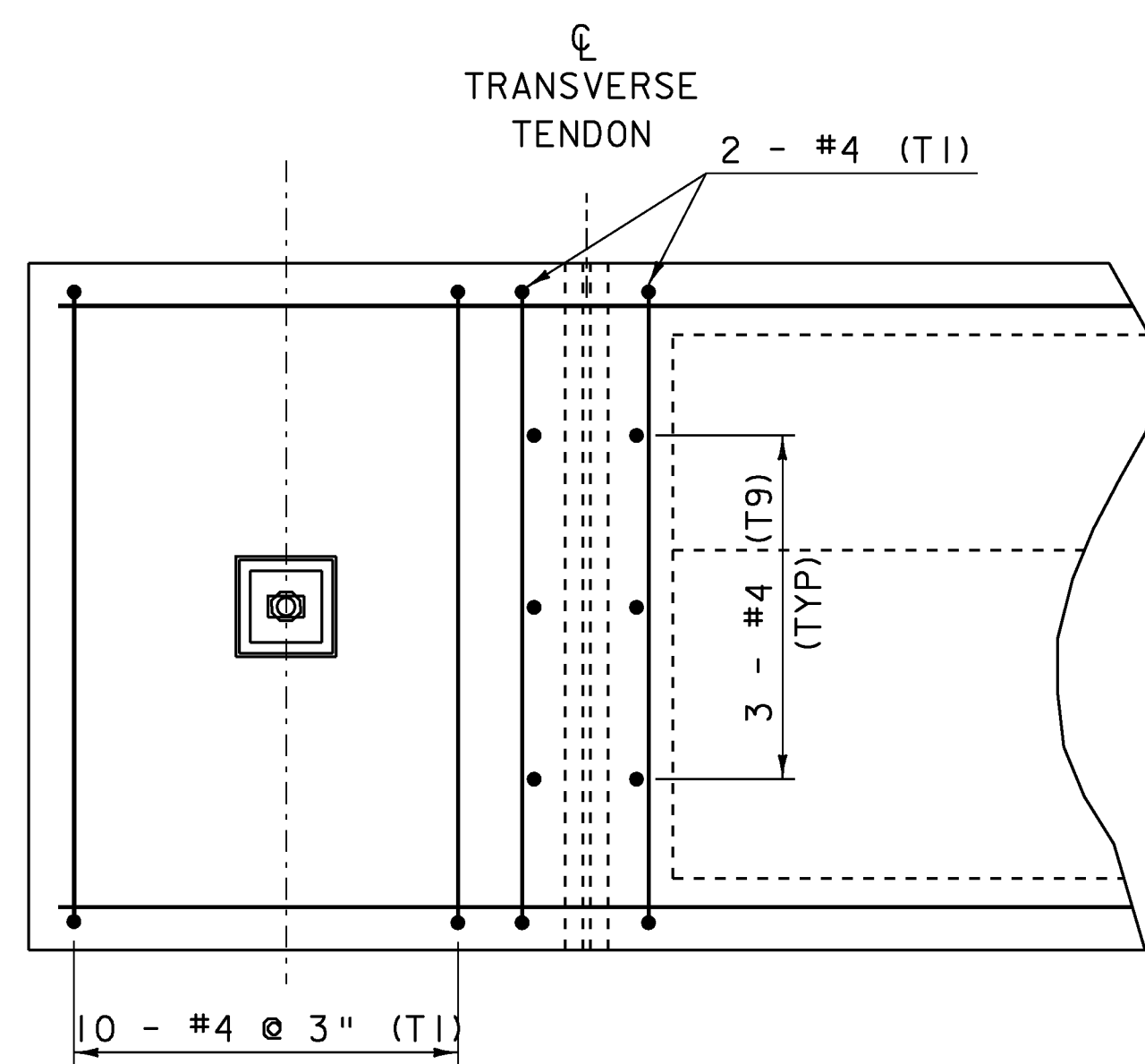
PRESTRESSED CONCRETE BOX BEAM
(28 1/2" - 29 1/2" x 48")
INTERIOR

■ - SHIELDED AT ENDS FOR 6'

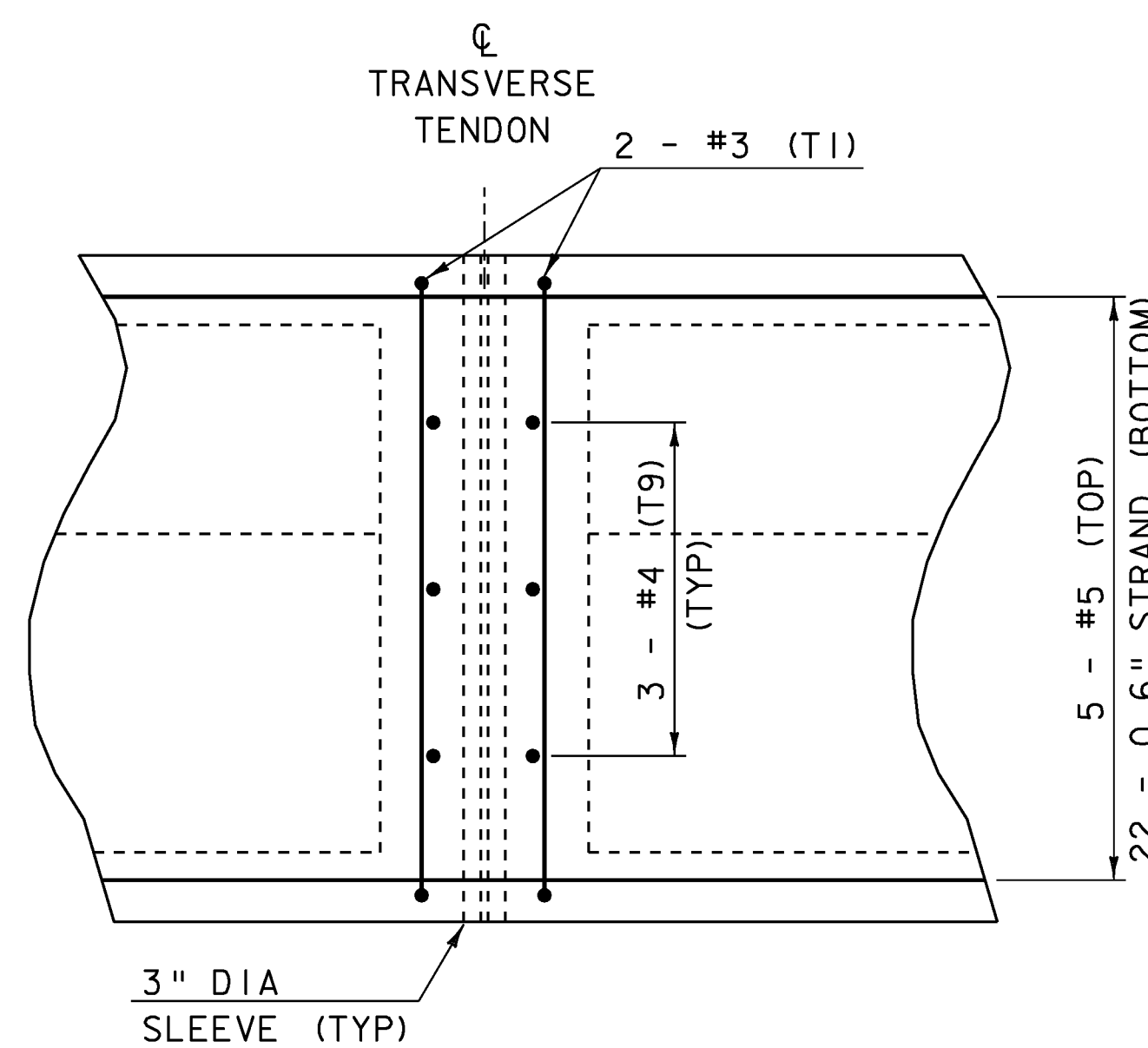


DIAPHRAGM REINFORCING
(INTERIOR & EXTERIOR)

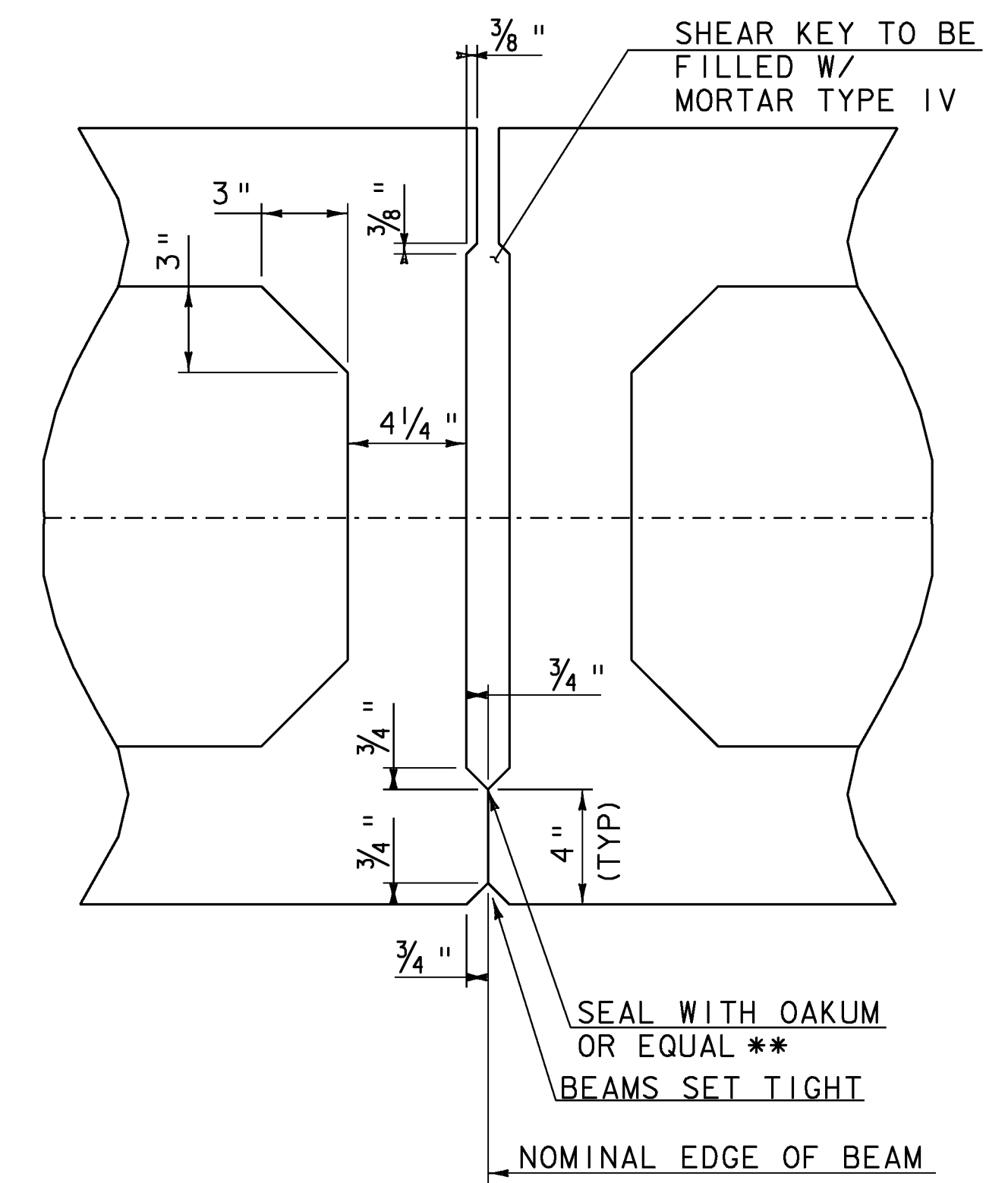
I MAT EACH SIDE OF TRANVERSE DUCTS



END DIAPHRAGM REINFORCING
(INTERIOR & EXTERIOR)



INTERMEDIATE DIAPHRAGM
REINFORCING
(INTERIOR & EXTERIOR)



SHEAR KEY DETAIL
FOR BOX BEAM

NTS

** NOTE: INSTALL OAKUM AFTER UNITS HAVE BEEN PLACED

SCALE 1" = 1'-0"
1 9 6 3 0

PROJECT NAME:	BRAINTREE	FILE NAME:	s95J292sup.dgn	PLOT DATE:	14-JAN-2010
PROJECT NUMBER:	BRO 1444(36)	PROJECT LEADER:	K. HIGGINS	DRAWN BY:	K. PATTERSON
		DESIGNED BY:	T. FILLBACH	CHECKED BY:	T. FILLBACH
		BOX BEAM DETAILS #1		SHEET	16 OF 26