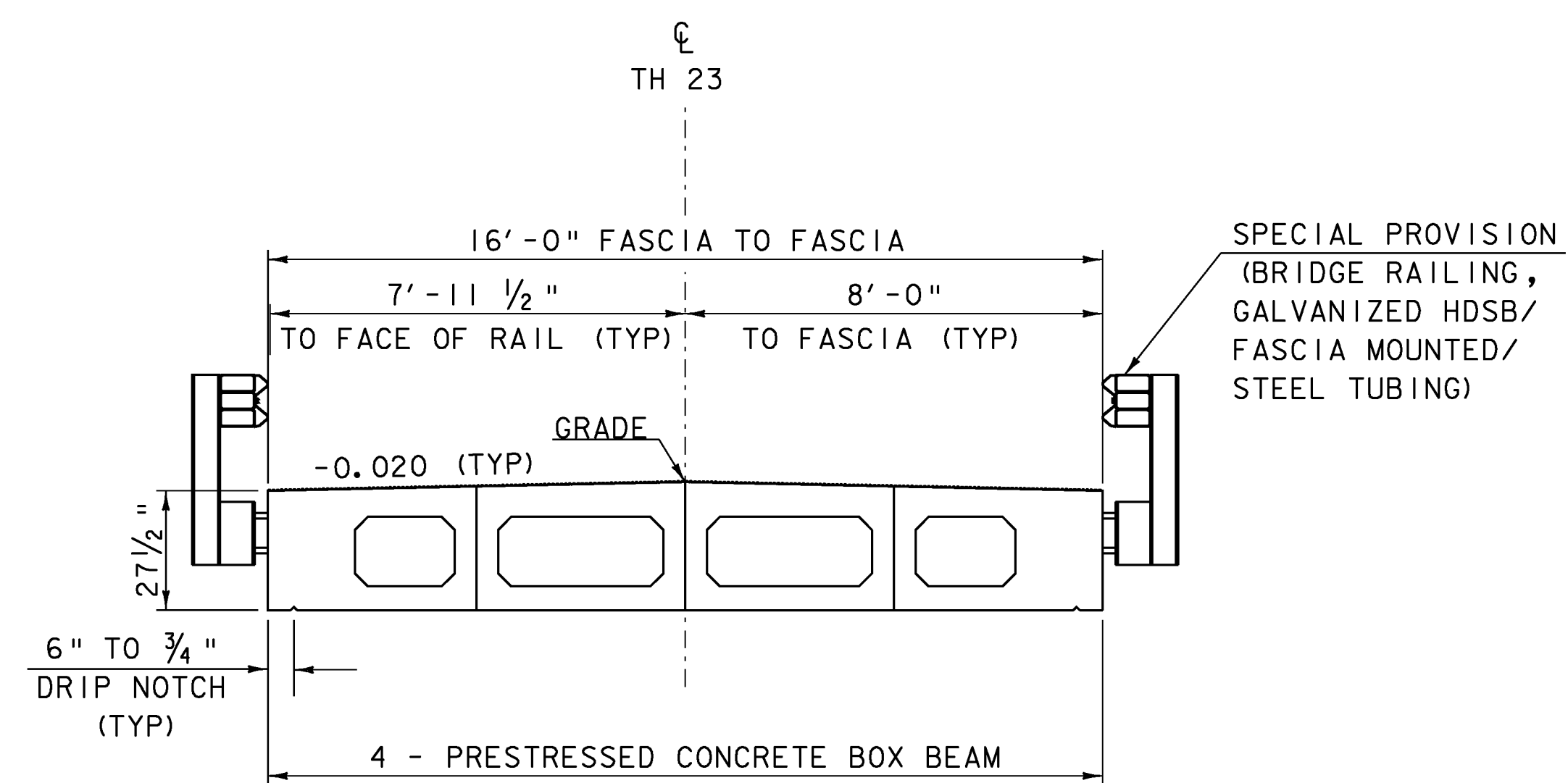


TH 23 TYPICAL SECTION

SCALE 3/8" = 1'-0"
 1 0 1 2 3 4

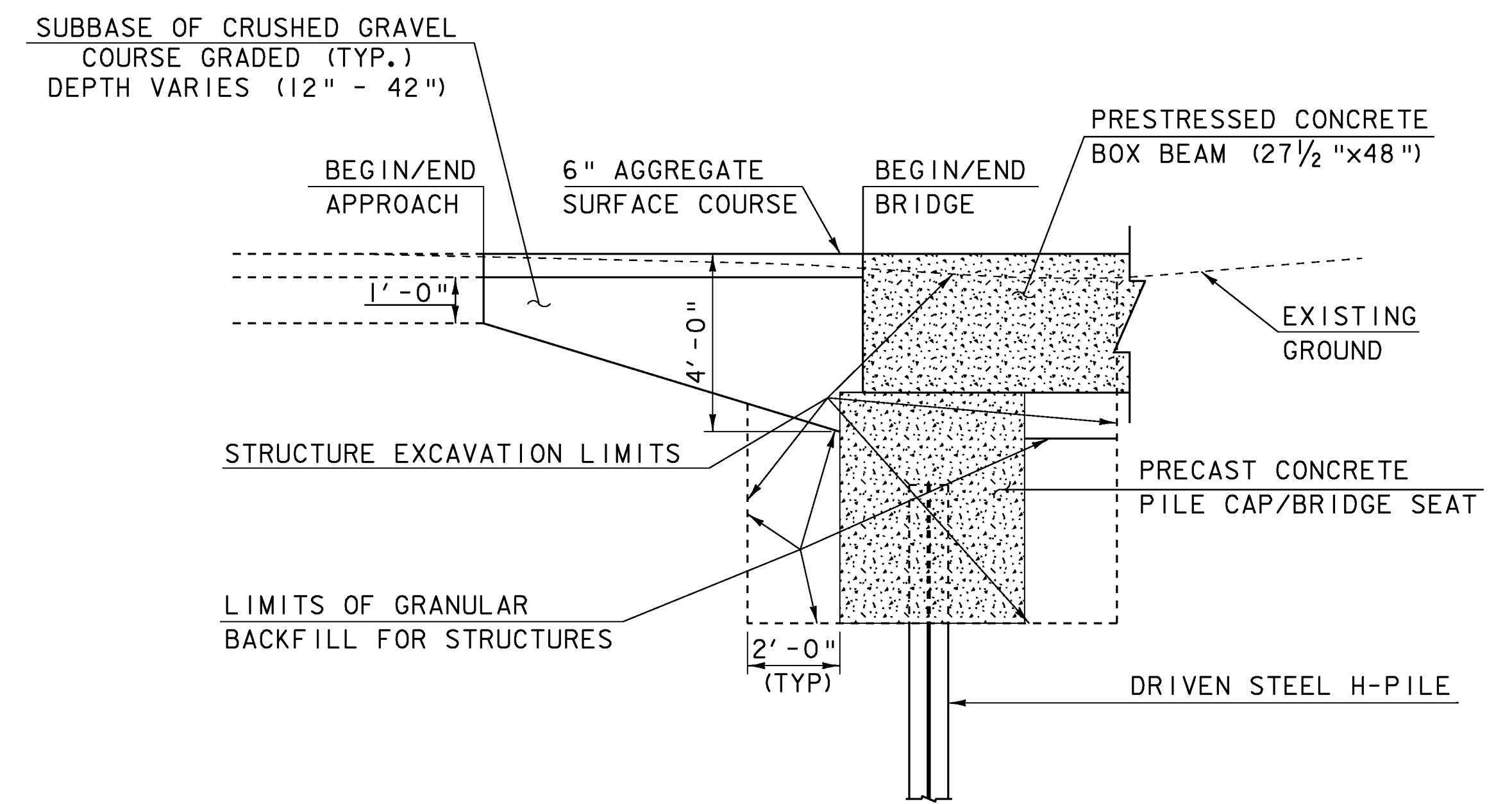
MATERIAL TOLERANCES
(IF USED ON PROJECT)

SURFACE	
- PAVEMENT	+/- 1/4"
- AGGREGATE SURFACE COURSE	+/- 1/2"
BASE COURSE	+/- 1/2"
SUBBASE	+/- 1"
SAND BORROW	+/- 1"
GRANULAR BORROW	+/- 1"



BRIDGE TYPICAL SECTION

SCALE 3/8" = 1'-0"
 1 0 1 2 3 4



END BRIDGE TYPICAL SECTION

SCALE 3/8" = 1'-0"
 1 0 1 2 3 4

PROJECT NAME:	BRAINTREE
PROJECT NUMBER:	BRO 1444(36)
FILE NAME:	s95J292typ.dgn
PROJECT LEADER:	K. HIGGINS
DESIGNED BY:	T. FILLBACH
TYPICAL SECTIONS	
PLOT DATE:	14-JAN-2010
DRAWN BY:	T. FILLBACH
CHECKED BY:	R. PELLETT
SHEET	6 OF 26