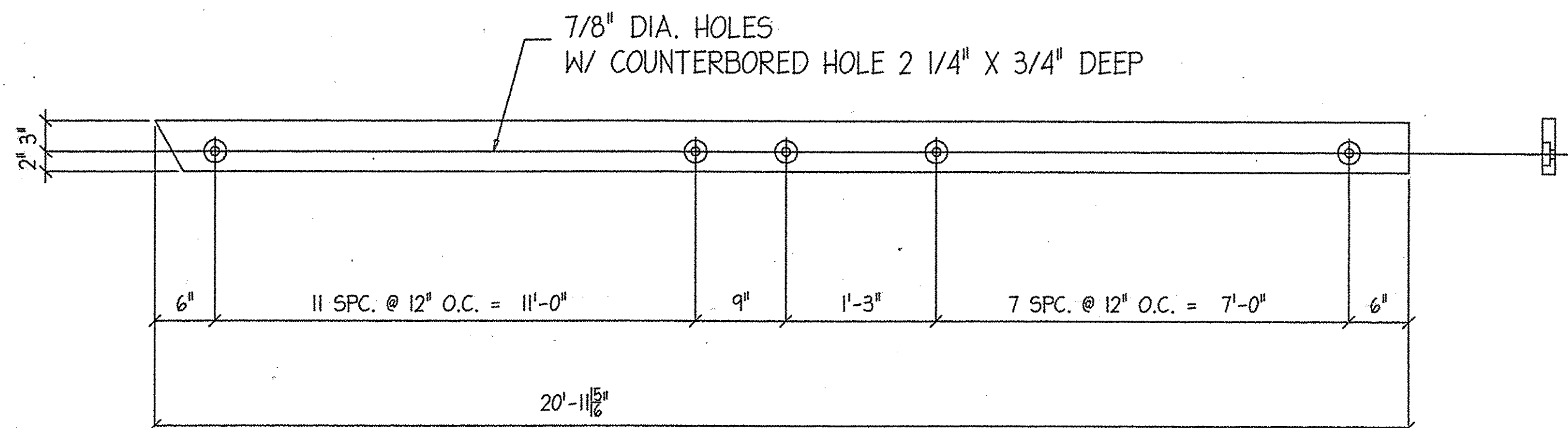
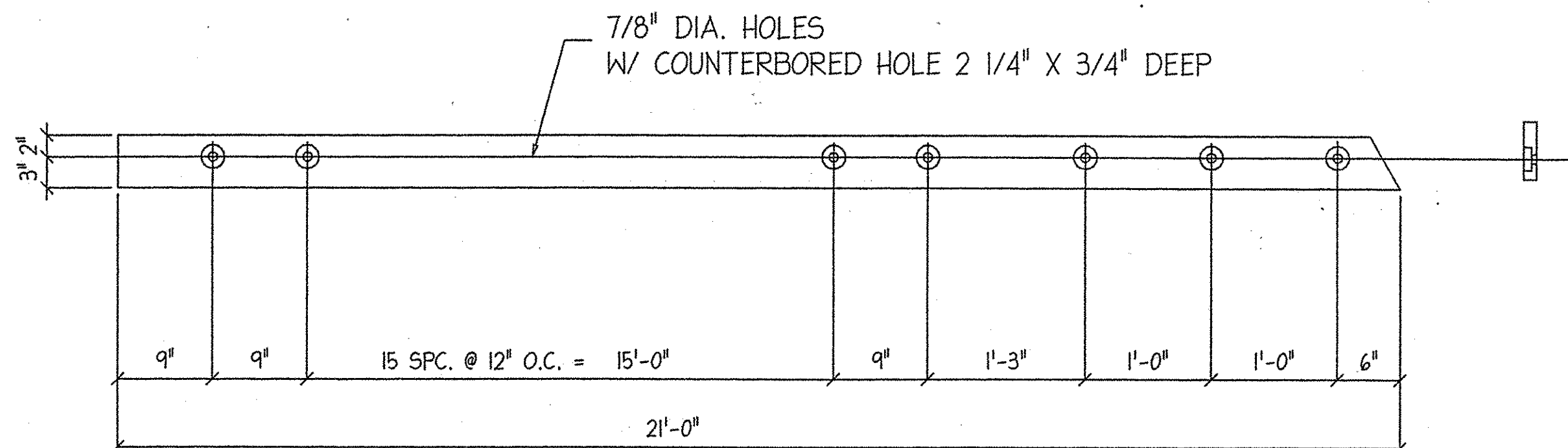


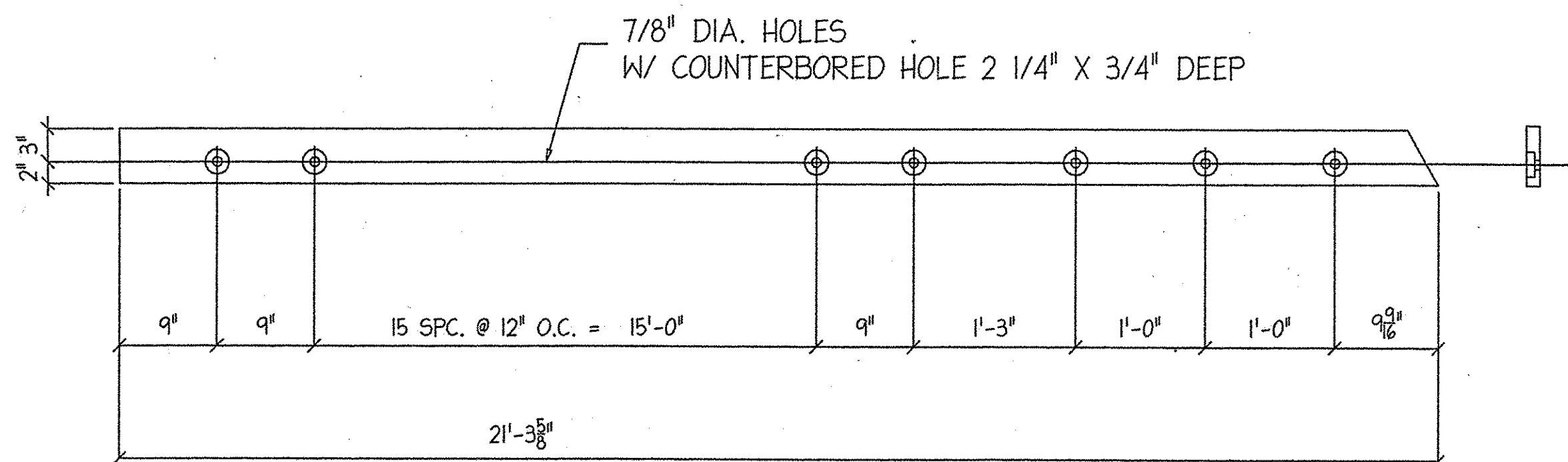
ONE REQ - P1



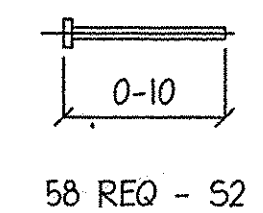
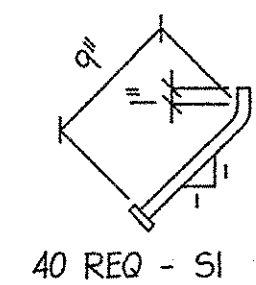
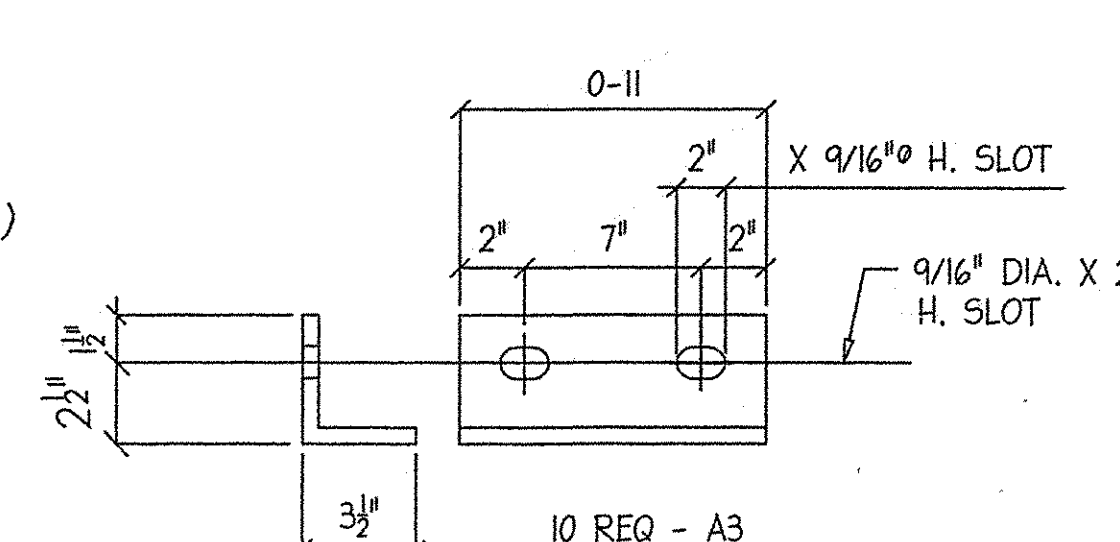
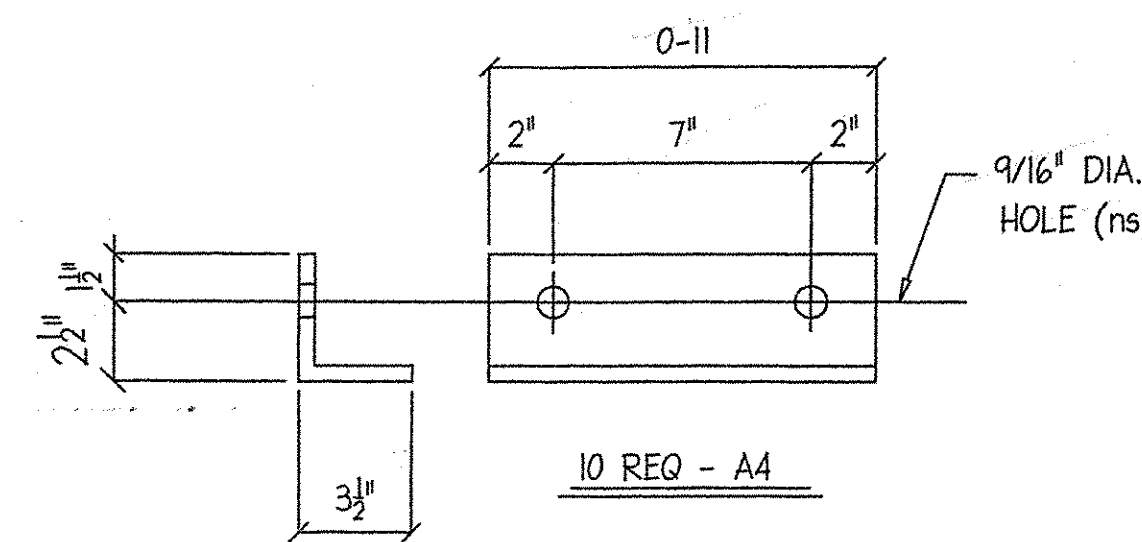
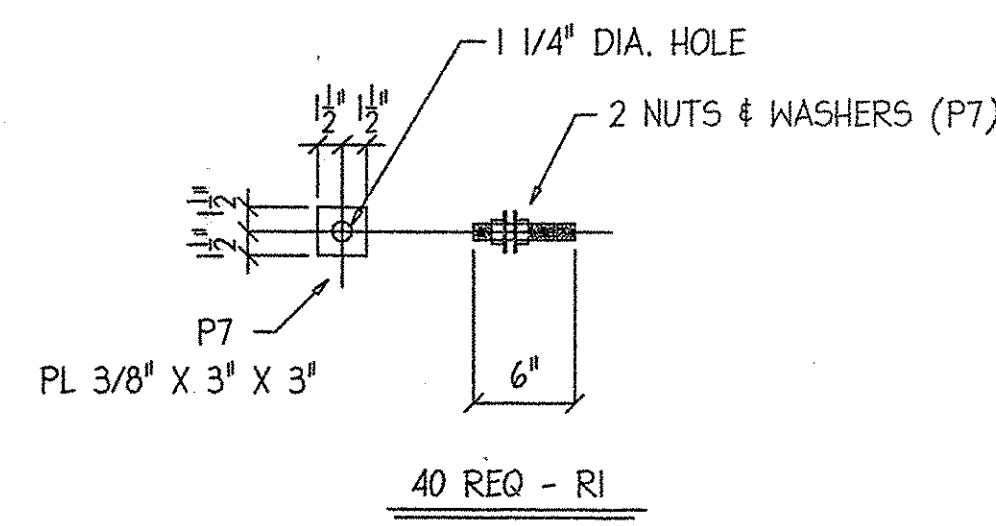
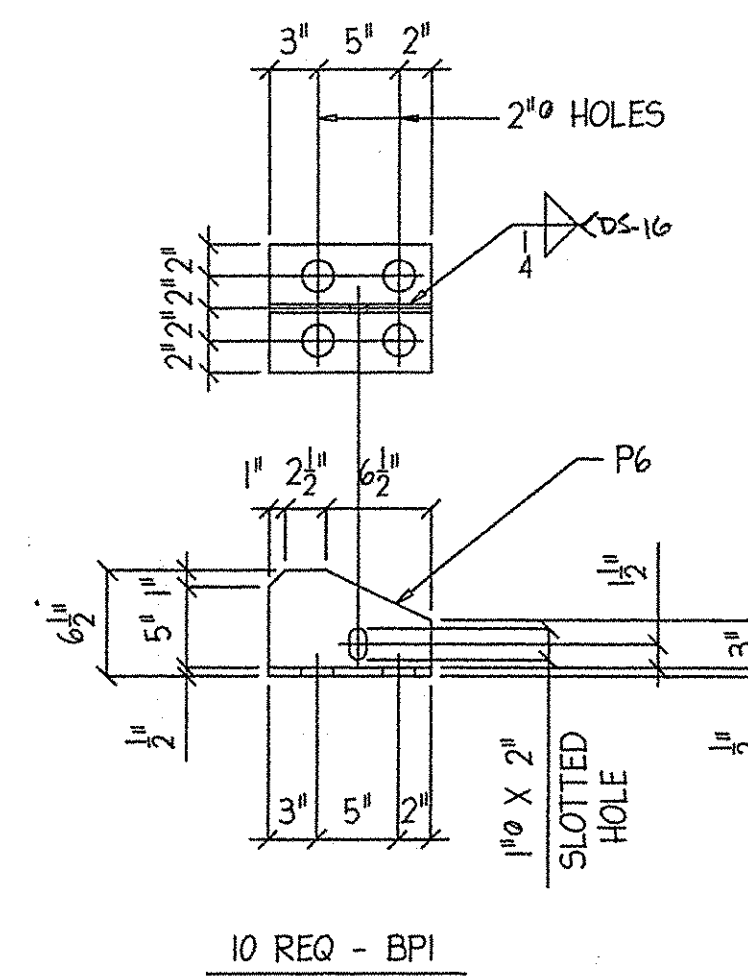
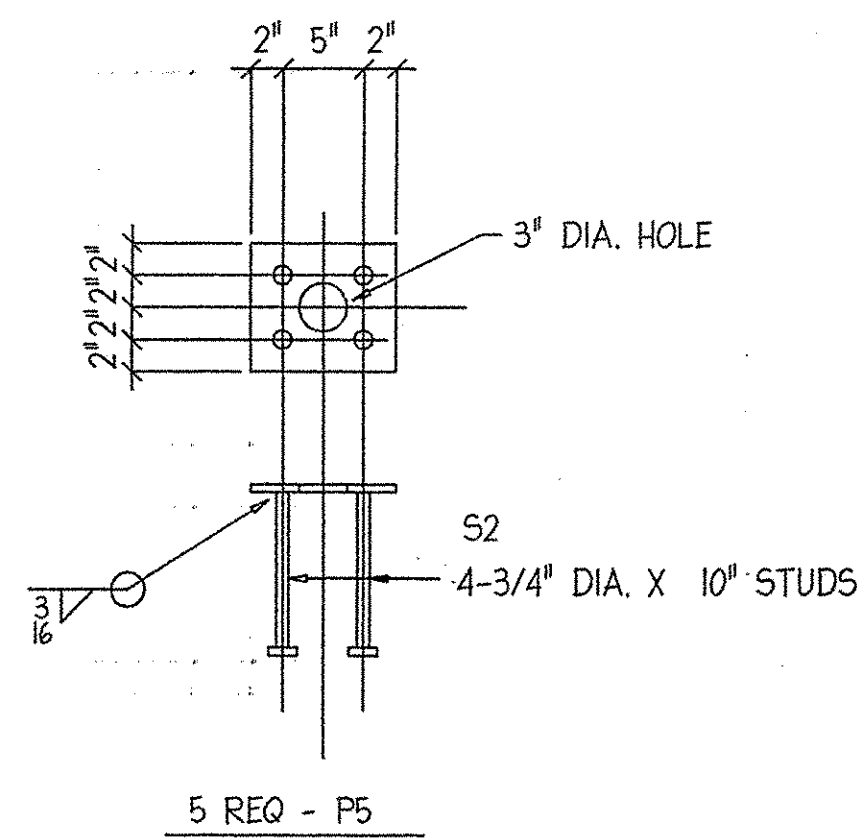
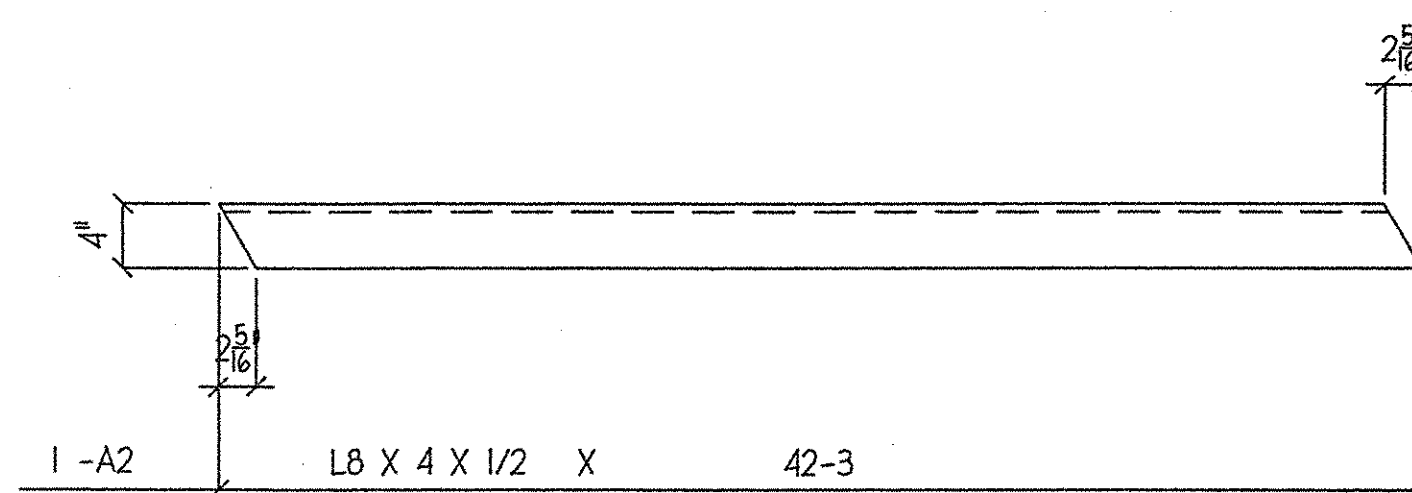
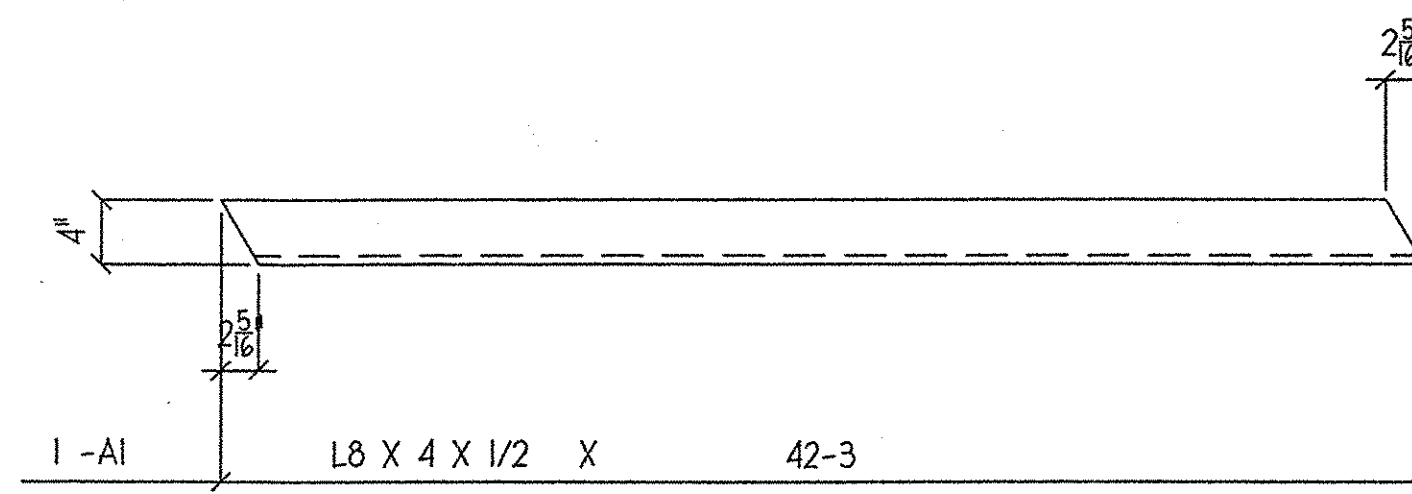
ONE REQ - P2



ONE REQ - P3



ONE REQ - P4



3/4" BENT STUD X 10"

3/4" STUD X 10"

BILL OF MATERIAL

QTY	MARK	SHAPE	LENGTH	REMARKS	
1	P1	PL 1 1/4" X 5"	21	3 9/16	
1	P2	PL 1 1/4" X 5"	20	11 15/16	
1	P3	PL 1 1/4" X 5"	21	0	
1	P4	PL 1 1/4" X 5"	21	3 5/8	
1	A1	L 8 X 4 X 1/2	42	3	
1	A2	L 8 X 4 X 1/2	42	3	
5	P5	PL 1/2" X 8"	0	9	
20	S2	3/4" DIA. STUDS	0	10	
10	BPI	PL 1/2" X 8"	0	10	
10	P6	PL 1/2" X 6"	0	10	
40	R1	1" DIA. THRD. ROD	0	6	
80	P7	PL 3/8" X 3"	0	3	W/ 2 NUTS
10	A3	L4 X 3 1/2 X 1/2	0	11	
10	A4	L4 X 3 1/2 X 1/2	0	11	
40	S1	3/4" STUD	0	10	BENT
58	S2	3/4" STUD	0	10	STR.

RECEIVED  
 APR 13 2005  
 BY: WJ/RSJ DATE: 5/17/06

EXPANSION JOINT (EJ-1) FAB. DETAILS			
DATE SUB.	PROJECT	MENDON VT. BRIDGE	
	LOCATION	RT. # THH, CL2	
	ARCHITECT		
DATE APP.	ENGINEER	STATE OF VERMONT, AGENCY OF TRANSPORTATION	
DATE DIST.	CUSTOMER	F.W. WHITCOMB CONST.	

**MERRIMACK** MERRIMACK SHEET METAL  
 119 HALL ST.  
 CONCORD, N.H., 03301  
 TEL. (603) 224-7766  
 FAX. (603) 224-7925

DR BY: KJM  
 REV BY:  
 JOB NO. 0727  
 DWG NO. FI

REV. NO.	DATE	DESCRIPTION
HOLES:	13/16" (U.N.O.)	DATE: 3-25-06
PAIN:	GALVANIZED	