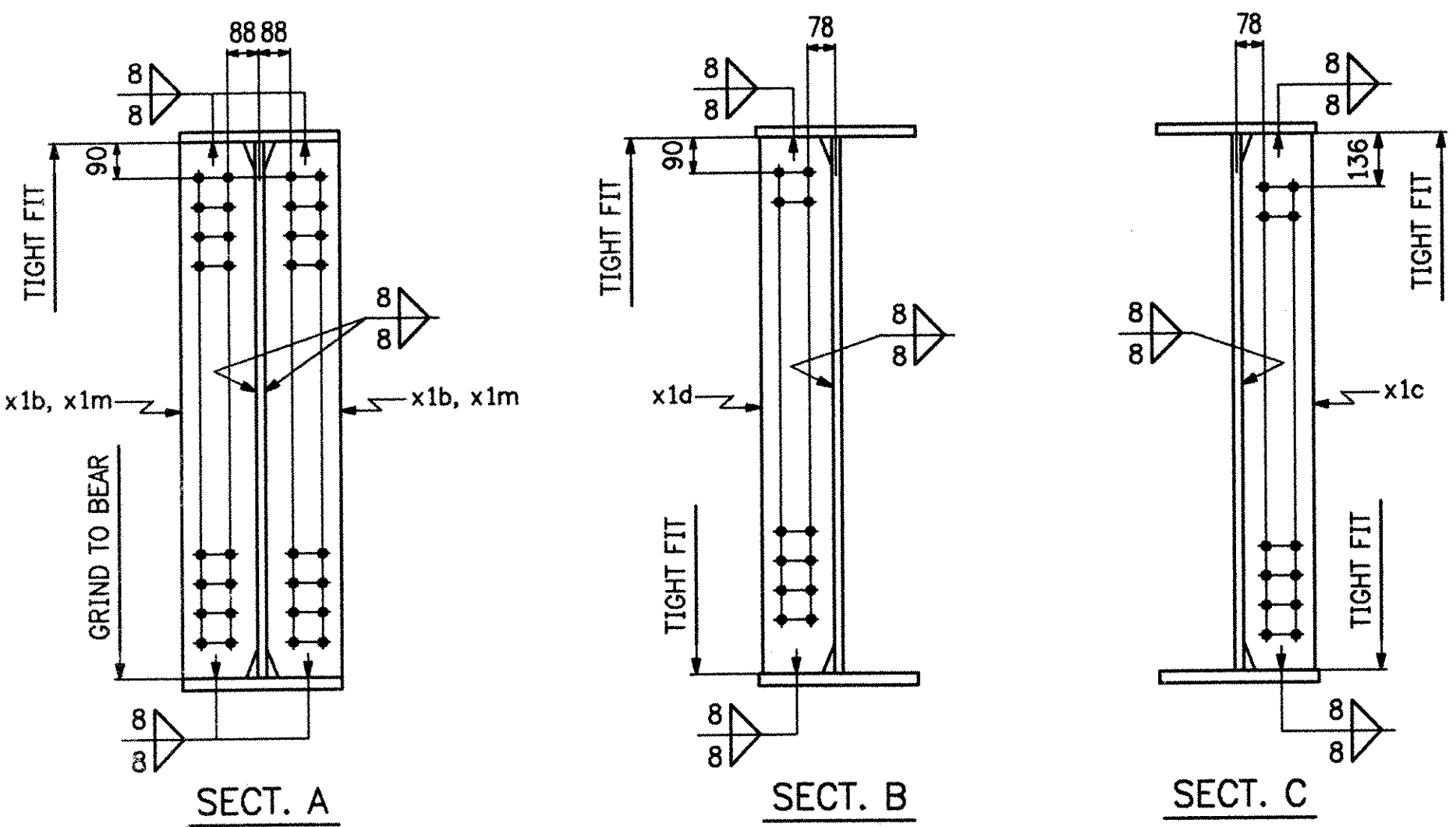


ONE ~ GIRDER ~ 3G3A
 FOR GDR. STANDARD DETAILS, SEE SHT. X1
 FOR WEB CAMBER & FLANGE DIAGRAM SEE SHT. WC3.
 FOR GENERAL NOTES & TYPICAL DETAILS SEE SHT. GN1

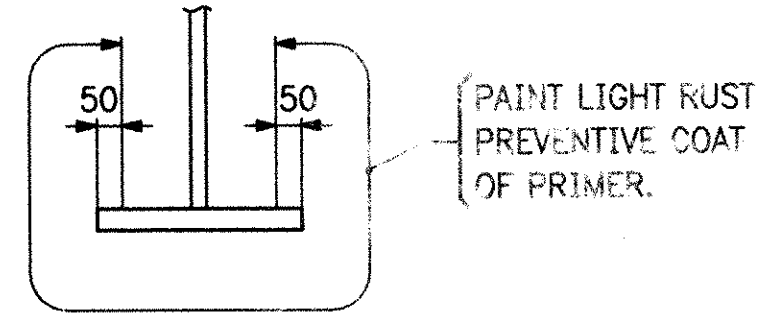
SECT. BL

SECT. BR

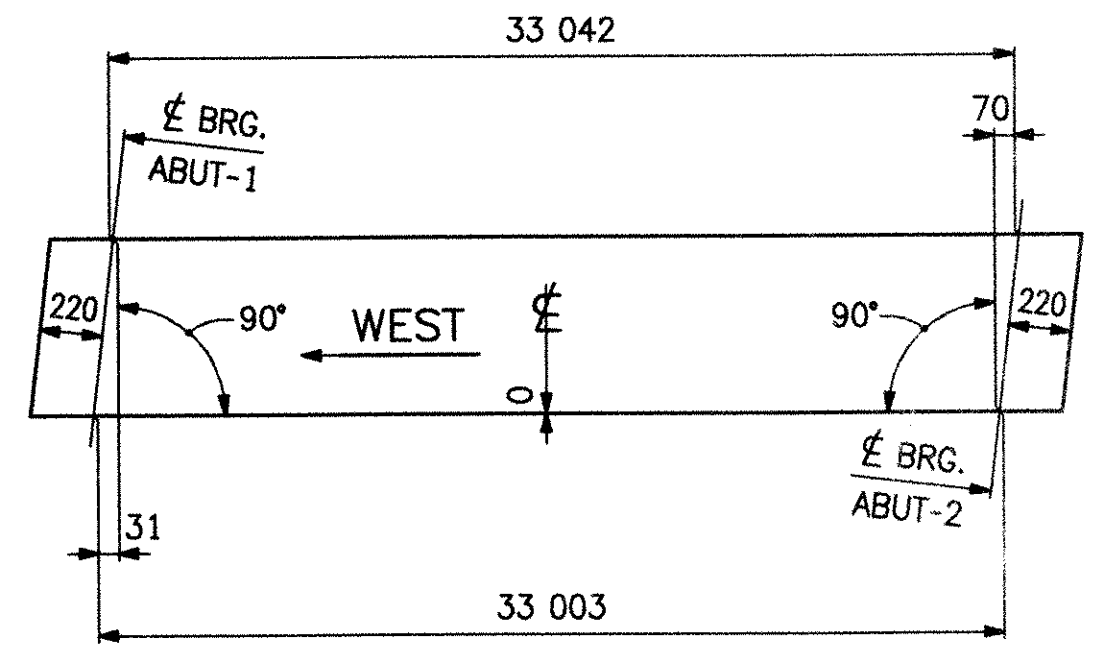


NOTES:
 HOLES: 1/8"
 BOLTS: NONE
 MAT'L: M270M-345W (UN).
 PAINT: AS NOTED

ABM INFO		SHIP	BILL OF MATERIAL				JOB No	REV.	
PAGE	LINE	MARK	QTY.	MARK	MATERIAL	LENGTH METERS	REMARKS	WEIGHT	PROCUREMENT NOTES
		3G3A	ONE		GIRDER			11 628 kg	
1	13		1	WB1	PL 16 x 1372	12 217	M270M-345W12		
1	12		1	WB2	PL 16 x 1372	21 296	M270M-345W12		
1	18		1	TF1	PL 22 x 406	22 220			
1	19		1	TF2	PL 22 x 406	11 262			
1	20		1	BF1	PL 28 x 406	22 220	M2 0M-345W12		
1	21		1	BF2	PL 28 x 406	11 223	M270M-345W12		
2	2		2	x1b	PL 22 x 195	1372			
2	2		2	x1m	PL 22 x 195	1374			
2	3		6	x1c	PL 14 x 185	1372			
2	3		6	x1d	PL 14 x 185	1372			



SECT. PC
(STIFFS. NOT SHOWN)

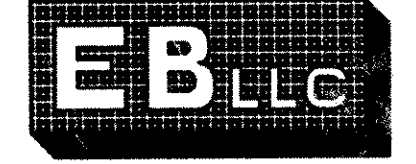


CAMBER DIAGRAM

RECEIVED
 OK'D BY: *[Signature]* OK'D BY: *[Signature]*
 MAY 18 2006
 RESUBMIT: *[Signature]* APPROVED: *[Signature]*
 BY: *[Signature]* DATE: 6/9/06

REV.	DATE	DESCRIPTION	QTY.	DATE	ISSUED TO	FOR
			8	5/18/06	FW Whitcomb	Approval

PROJECT: T.H.1 OVER MENDON BROOK (BRIDGE NO. 3)
 LOCATION: TOWN OF MENDON, COUNTY OF RUTLAND
 ENGINEER: STATE OF VERMONT AGENCY OF TRANSPORTATION
 CUSTOMER: FRANK W WHITCOMB CONSTRUCTION
 DRAWING TITLE: GIRDER ~ 3G3A
 DRAWN BY: JF 4-18-06 JOB NUMBER: 6085 SHEET NUMBER: 3
 CHECKED BY: FM 5-3-06



EASTERN BRIDGE LLC
 RURAL RTE 2, BOX 302
 CLAREMONT, NH 03743
 603-542-5202

Sheet 3 - Printed: 05/04/2006 @ 10:35 (RECHARGE)