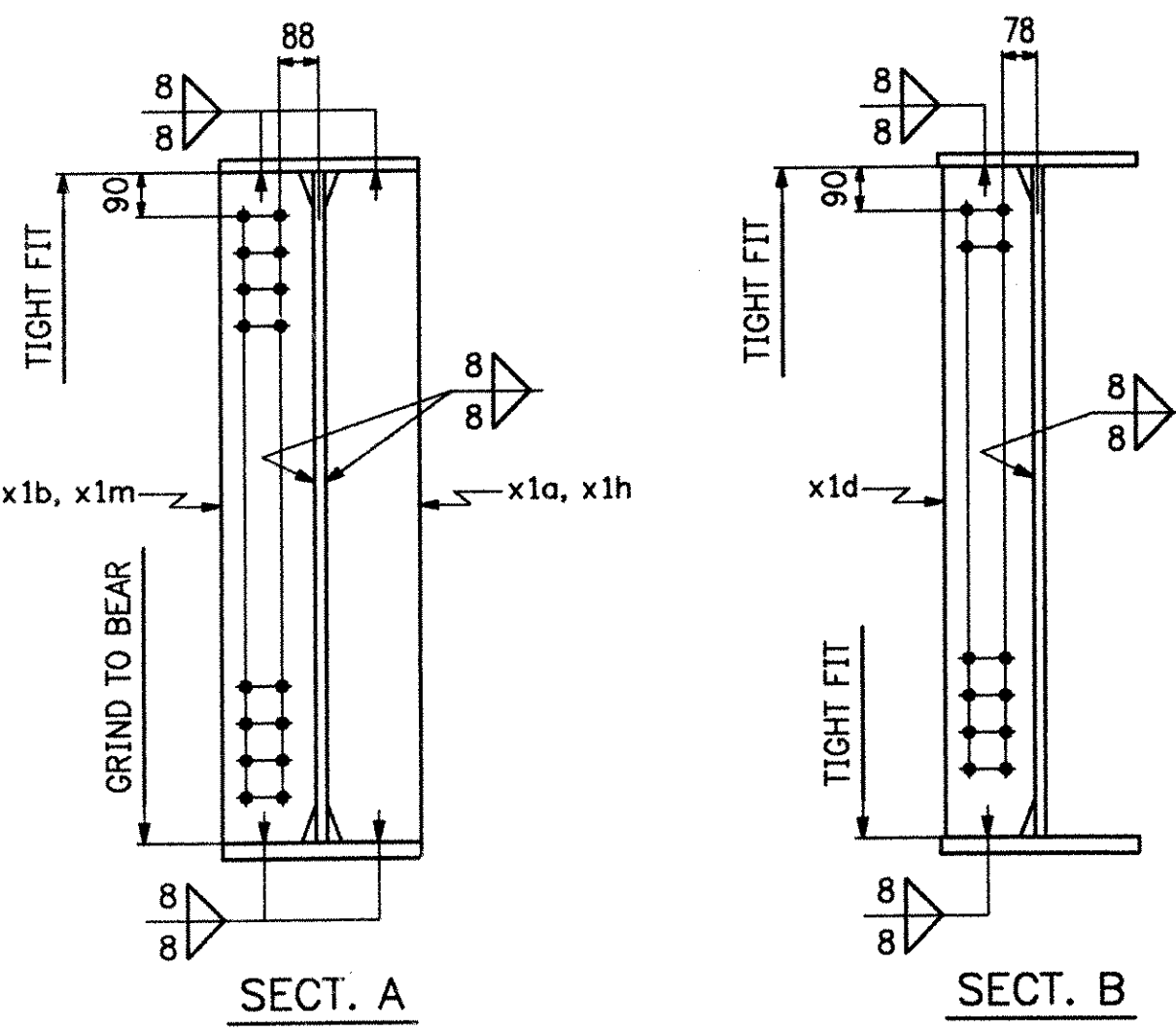


ONE ~ GIRDER ~ 1G1A
 FOR GDR. STANDARD DETAILS, SEE SHT. X1
 FOR WEB CAMBER & FLANGE DIAGRAM SEE SHT. WC1.
 FOR GENERAL NOTES & TYPICAL DETAILS SEE SHT. GN1

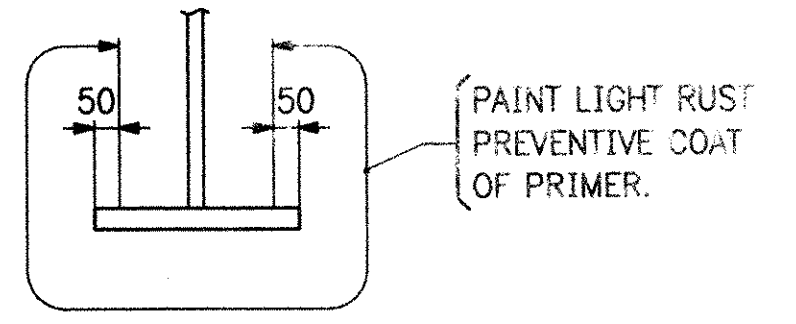


NOTES:
 HOLES: 1/8" Ø
 BOLTS: NONE
 MAT'L: M270M-345W (UN).
 PAINT: AS NOTED

*3 Teams
 5 on Each
 11:15-11:30
 15 Students
 16 Welds*

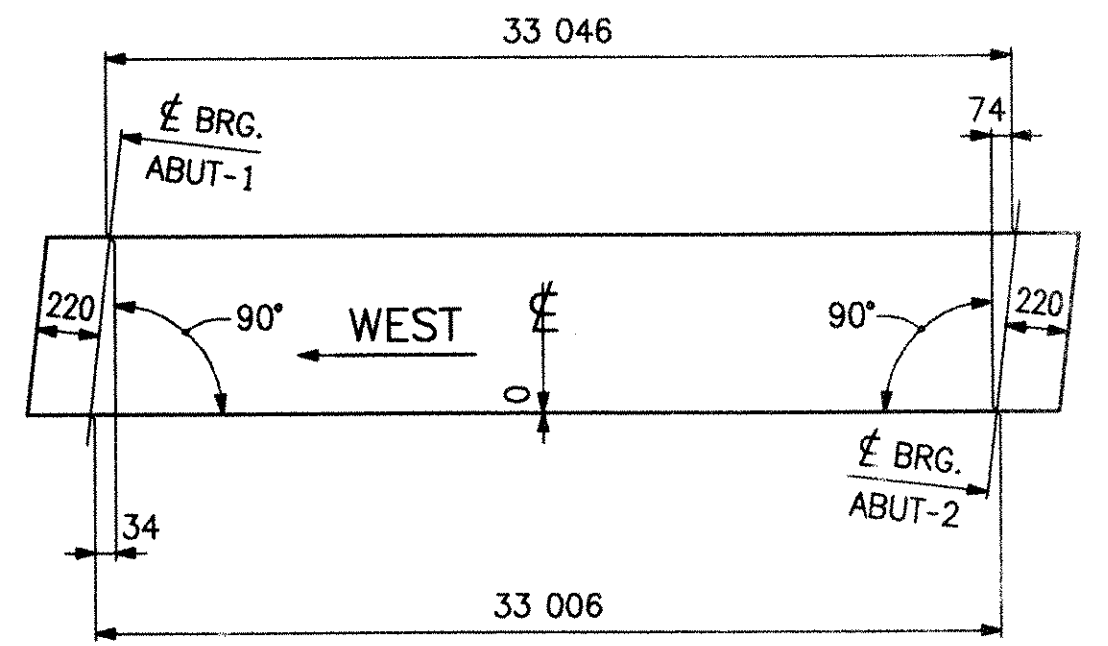
ABM INFO		SHIP		BILL OF MATERIAL				JOB No.	REV.
PAGE	LINE	MARK	QTY.	MARK	MATERIAL	LENGTH MILLIMETERS	REMARKS	WEIGHT	PROCUREMENT NOTES
		1G1A	ONE	GIRDER					
1	13		1	WB1	PL 16 x 1372	12 218	M270M-345W2	11 462 kg	
1	12		1	WB2	PL 16 x 1372	21 290	M270M-345W2		
1	18		1	TF1	PL 22 x 406	22 220			
1	19		1	TF2	PL 22 x 406	11 266			
1	20		1	BF1	PL 28 x 406	22 220	M270M-345W2		
1	21		1	BF2	PL 28 x 406	11 226	M270M-345W2		
2	2		1	x1a	PL 22 x 195	1372	} @ BRG		
2	2		1	x1b	PL 22 x 195	1372			
2	2		1	x1h	PL 22 x 195	1374			
2	2		1	x1m	PL 22 x 195	1374			
2	3		6	x1d	PL 14 x 185	1372			
2	4		1	x1f	PL 6 x 80	275			

PAINT ALL AROUND (UN)
 SEE SHT. GN1



SECT. PC
 (STIFFS. NOT SHOWN)

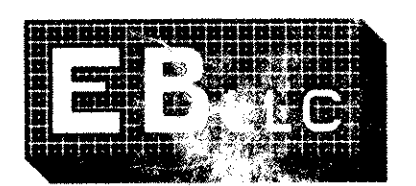
11,462 kg



CAMBER DIAGRAM

RECEIVED
 CK'D BY: W/D
 MAY 18 2006
 RESUBMIT: APPROVED ✓
 BY: WJ/SJ DATE: 4/1/06

REV.	DATE	DESCRIPTION	QTY.	DATE	ISSUED TO	FOR
8	5/15/06	FW Whitcomb				Approval



EASTERN BRIDGE LLC
 RURAL RTE 2, BOX 302
 CLAREMONT, NH 03743
 603-542-5202

PROJECT: T.H.1 OVER MENDON BROOK (BRIDGE NO. 3)
 LOCATION: TOWN OF MENDON, COUNTY OF RICHMOND
 ENGINEER: STATE OF VERMONT AGENCY OF TRANSPORTATION
 CUSTOMER: FRANK W WHITCOMB CONSTRUCTION
 DRAWING TITLE: GIRDER ~ 1G1A
 DRAWN BY: JF 4-18-06 JOB NUMBER: 6085 SHEET NUMBER: 1
 CHECKED BY: FM 5-2-06