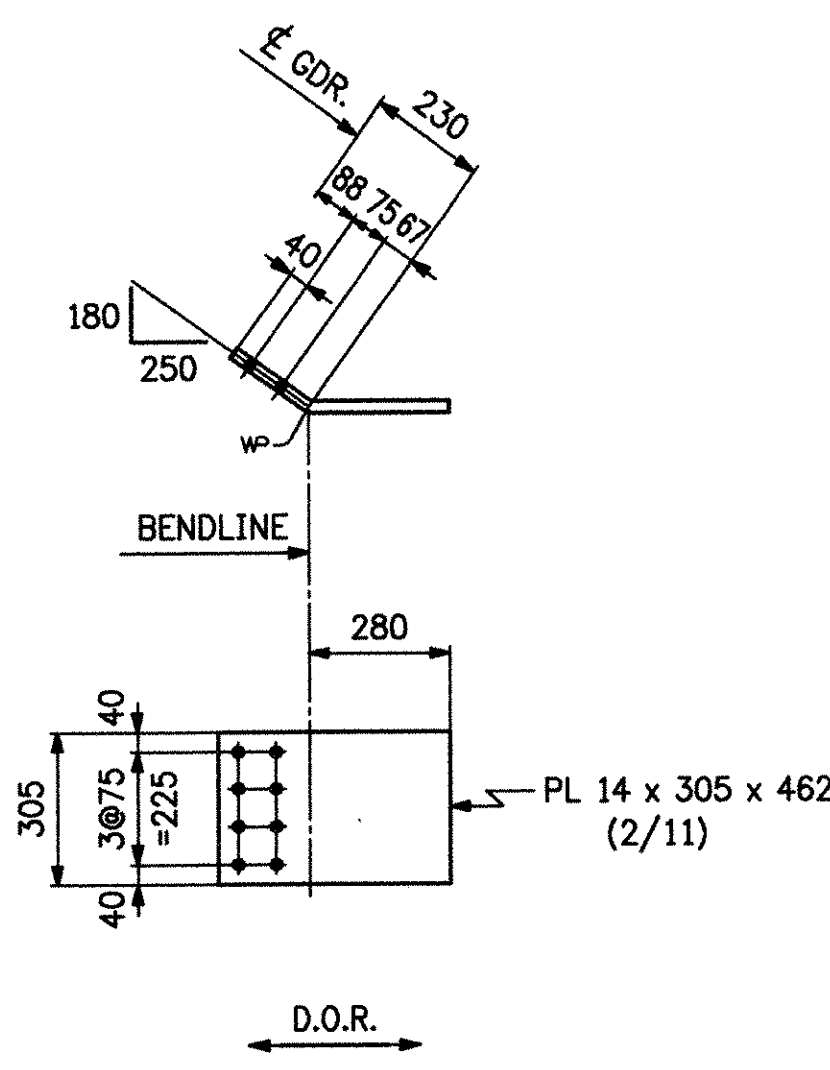
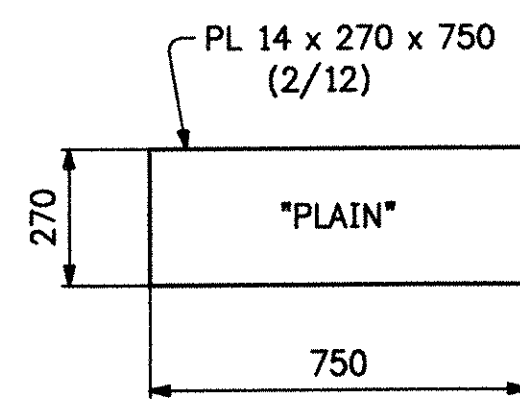


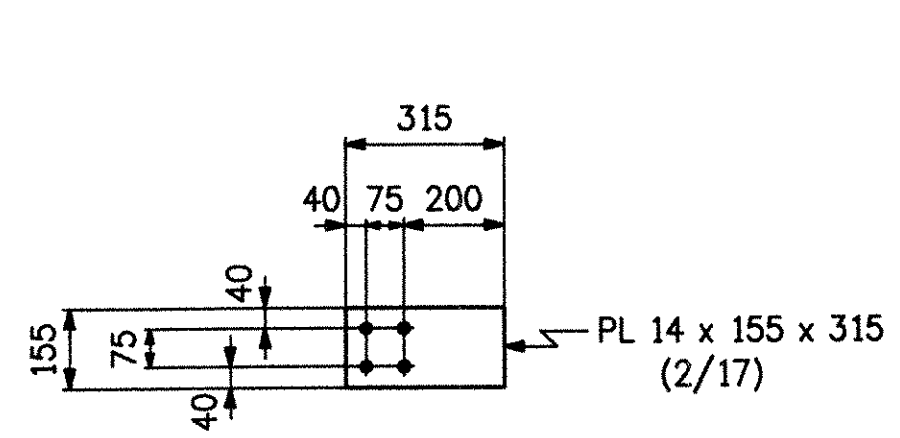
16 ~ m1a
(END CF TOP GUSSET)



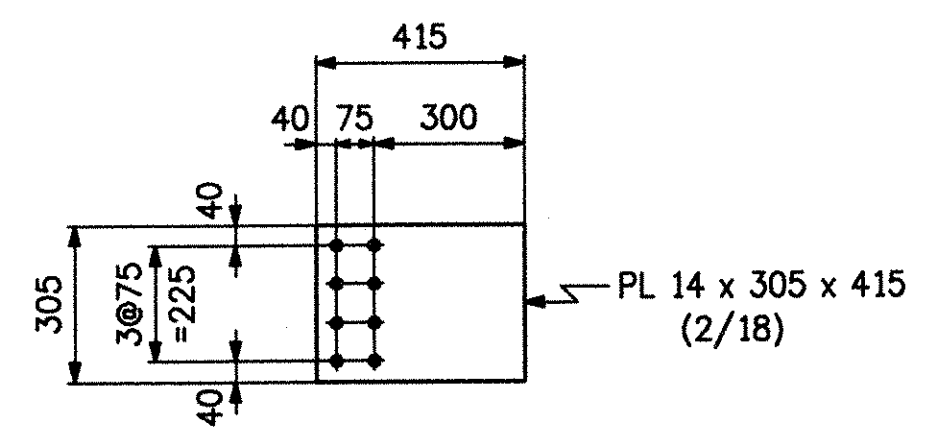
16 ~ m1b
(END CF BOTTOM GUSSET)



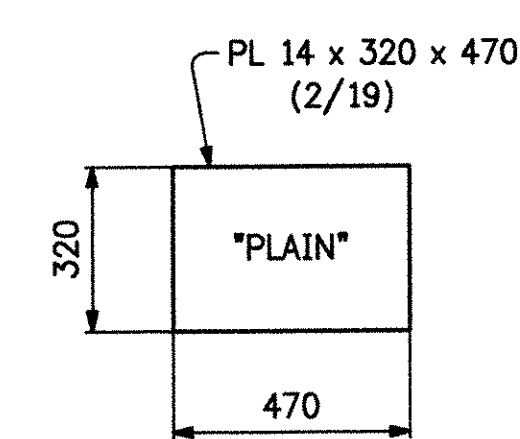
8 ~ m1c
(END CF TOP GUSSET)



48 ~ m1d
(INT CF TOP GUSSET)



48 ~ m1f
(INT CF BOTTOM GUSSET)



24 ~ m1g
(INT CF TOP GUSSET)

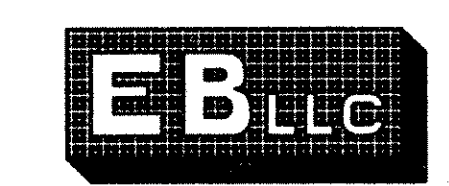
NOTES:

HOLES: 1/2"
BOLTS: NONE
MAT'L: M709M-345W
PAINT: NONE

← D.O.R. DENOTES DIRECTION OF ROLLING.

RECEIVED
CK'D BY *WJ* OK'D BY _____
MAY 18 2006
RESUBMIT _____ APPROVED *[Signature]*
BY *WJ* DATE *4/16/06*

REV.	DATE	DESCRIPTION	QTY.	DATE	ISSUED TO	FOR
1			8	5/15/06	F Whitcomb	Approval



EASTERN BRIDGE LLC
RURAL RTE 2, BOX 302
CLAREMONT, NH 03743
603-542-5202

PROJECT:	T.H.1 OVER MENDON BROOK (BRIDGE NO. 3)
LOCATION:	TOWN OF MENDON, COUNTY OF RUTLAND
ENGINEER:	STATE OF VERMONT AGENCY OF TRANSPORTATION
CUSTOMER:	FRANK W WHITCOMB CONSTRUCTION
DRAWING TITLE:	CROSSFRAMF STANDARDS
DRAWN BY:	JF 4-12-06
CHECKED BY:	FM 5-2-06
JOB NUMBER:	6085
SHEET NUMBER:	M1