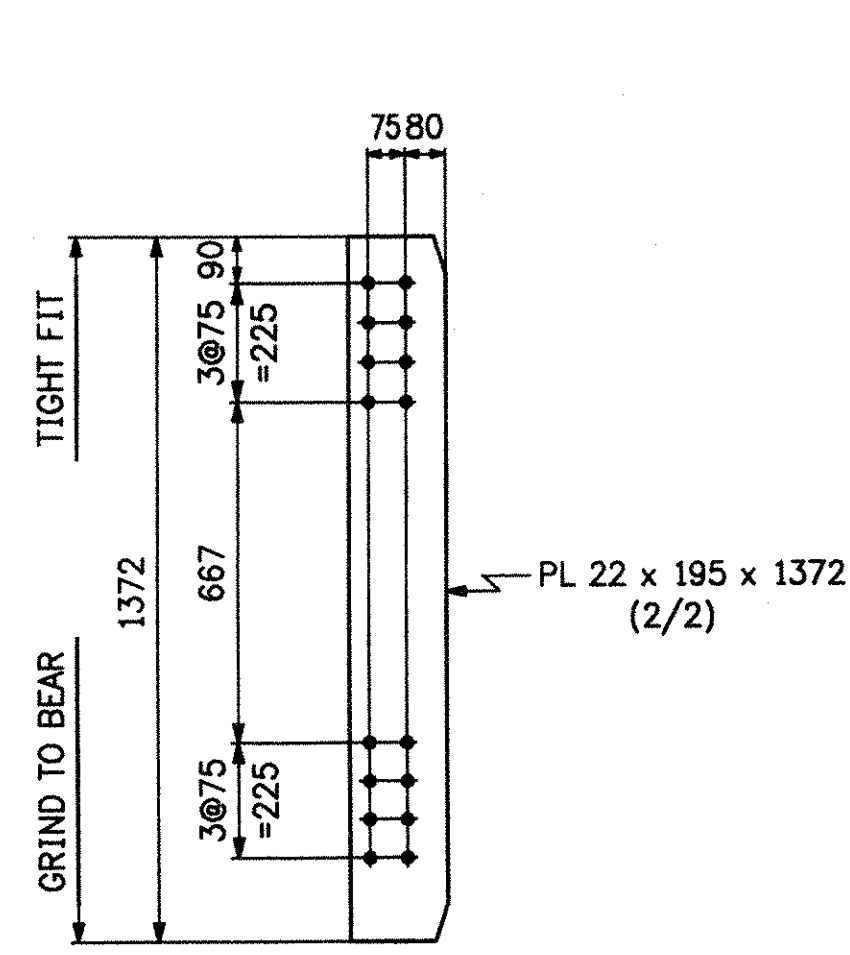
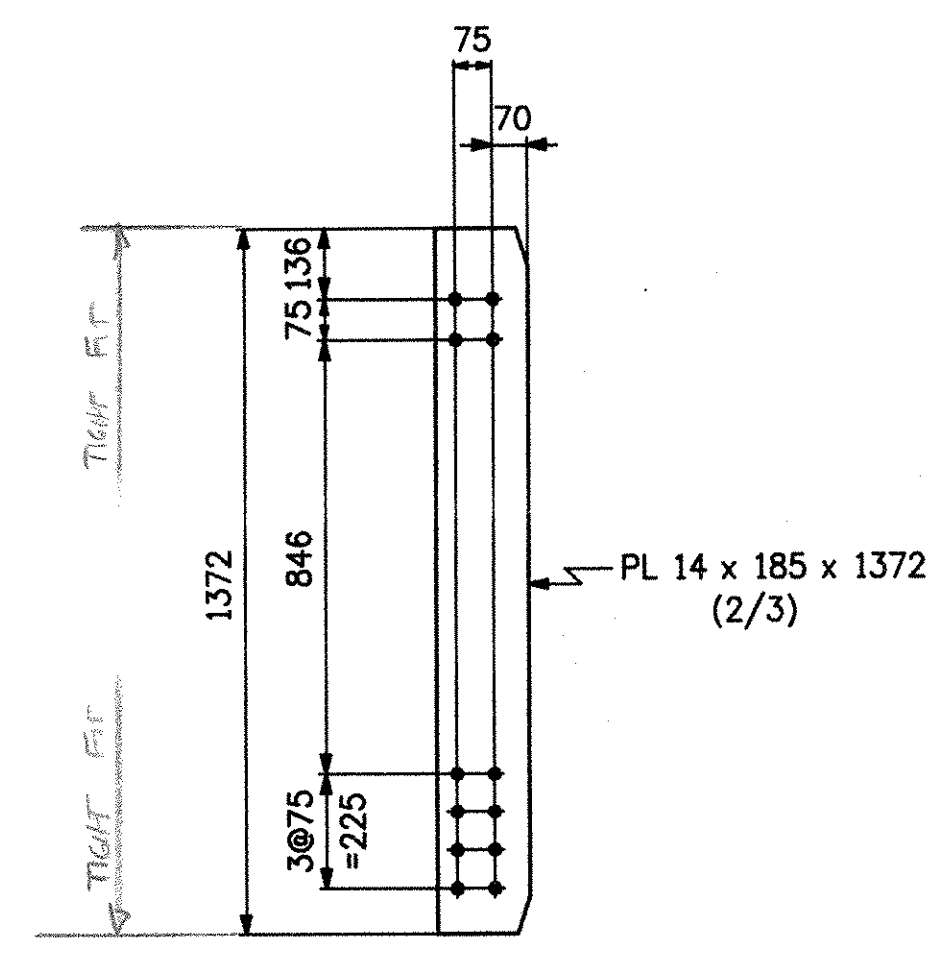


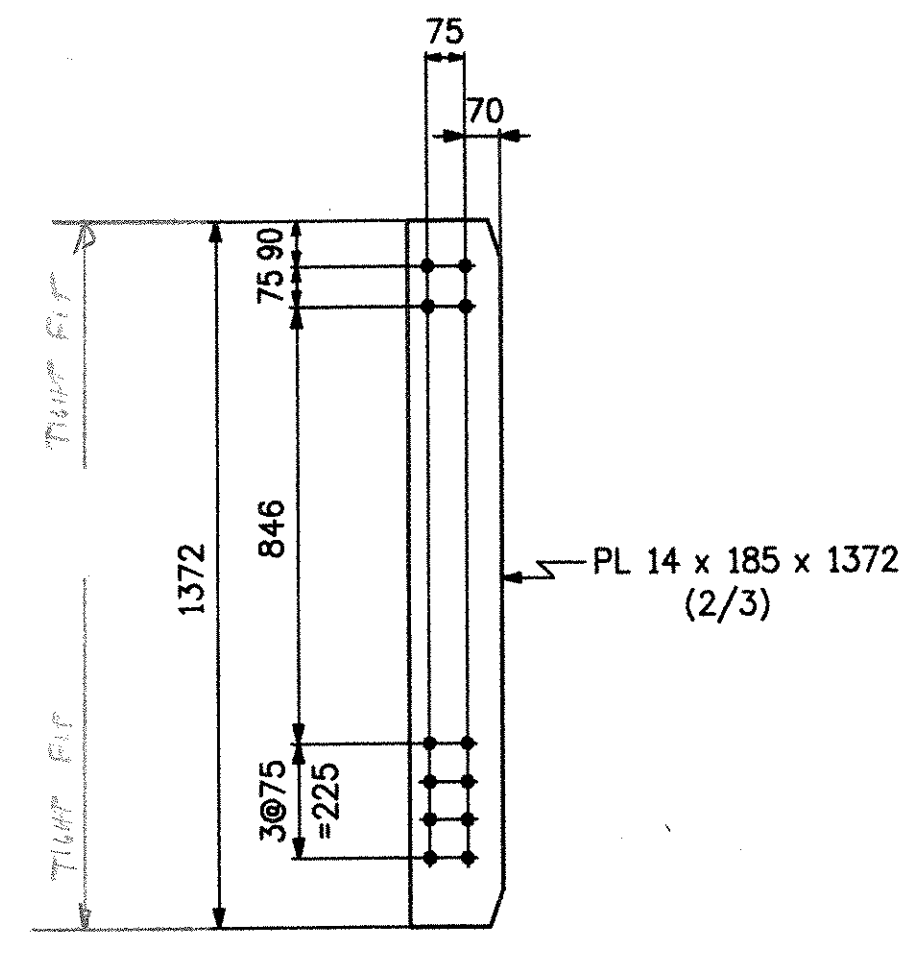
2 ~ x1a  
(ABUT. 1 FASCIA)



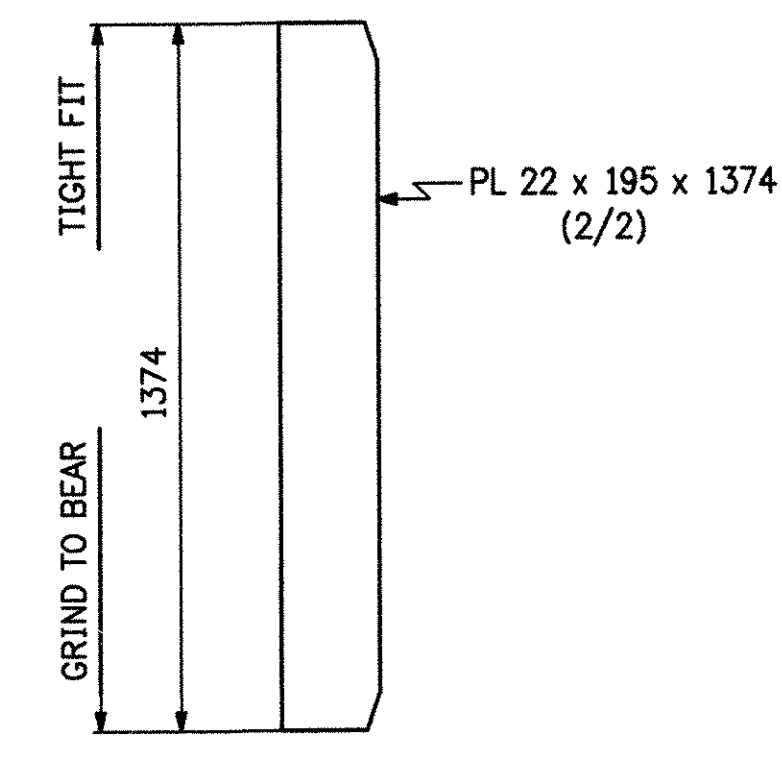
8 ~ x1b  
(ABUT. 1)



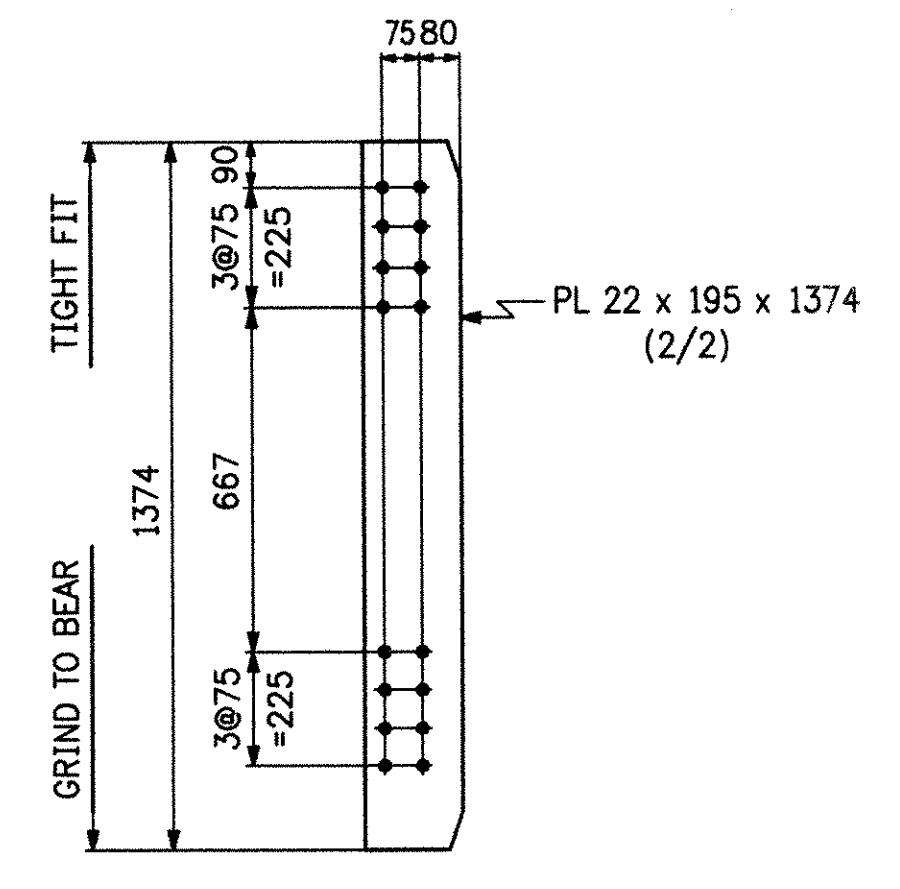
24 ~ x1c  
(INT. HIGH)



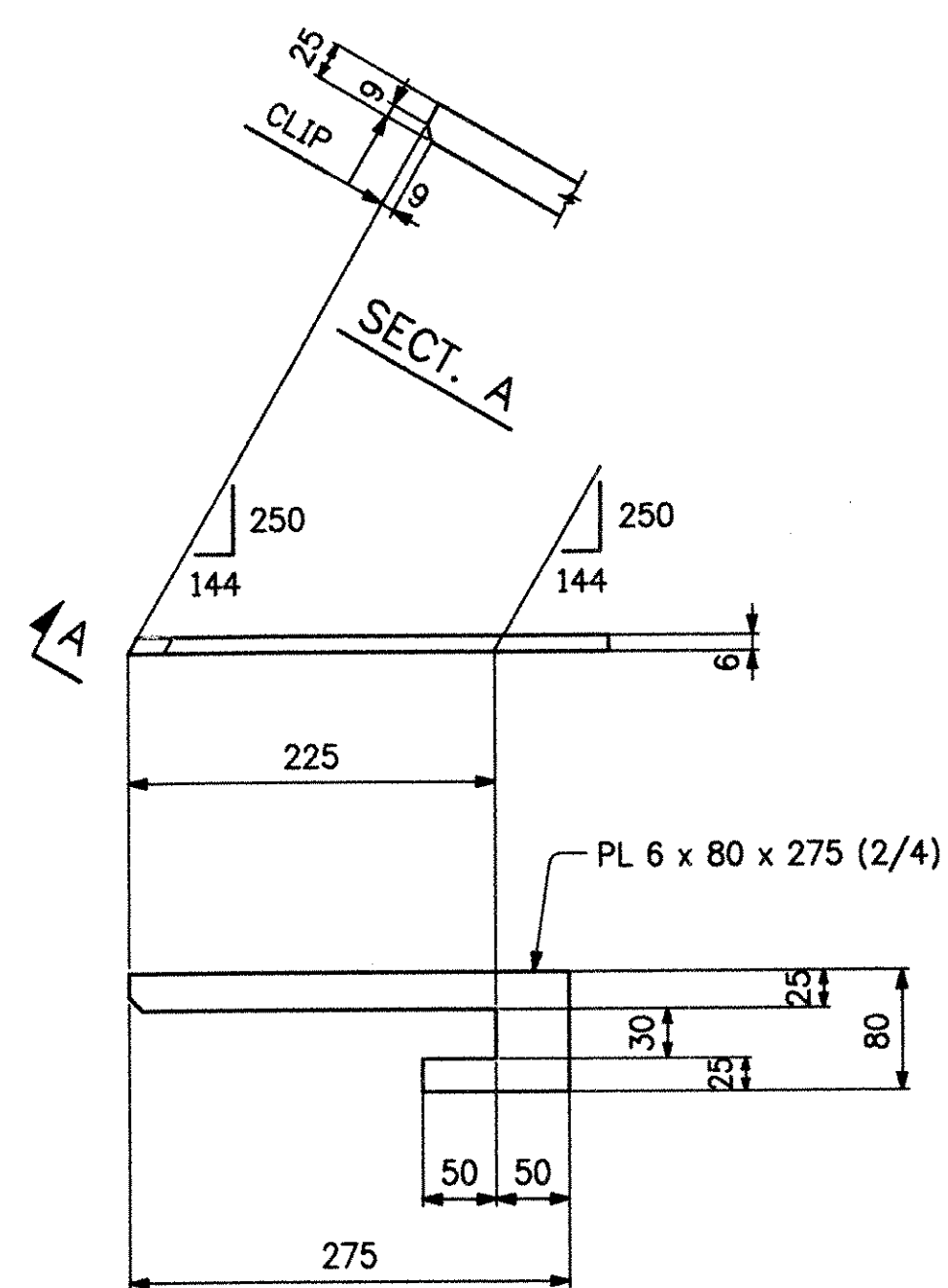
24 ~ x1d  
(INT. LOW)



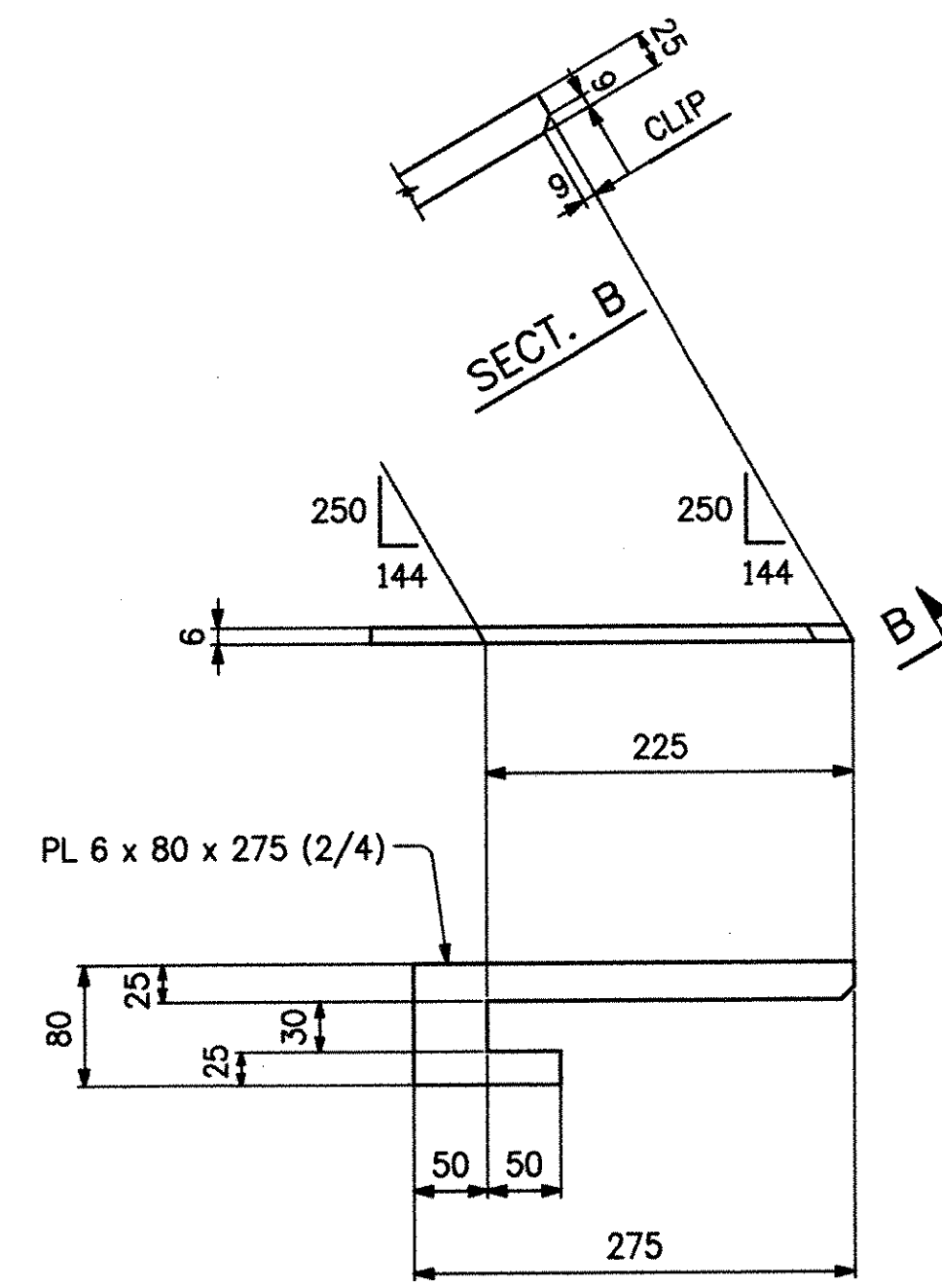
2 ~ x1h  
(ABUT. 2)



8 ~ x1m  
(ABUT. 2)



1 ~ x1f  
(LINE 1)



1 ~ x1g  
(LINE 5)

NOTES:

- HOLES: 1/8"
- BOLTS: NONE
- MAT'L: M270M-345W
- PAINT: NONE

RECEIVED  
 CK'D BY: *WBS* OK'D BY: \_\_\_\_\_  
 MAY 18 2006  
 RESUBMIT: \_\_\_\_\_ APPROVED: *As Notd*  
 BY: *WJ/Sf* DATE: *4/9/06*

REV.	DATE	DESCRIPTION	QTY.	DATE	ISSUED TO	APPROVAL	FCR
			8	5/15/06	F.W. Whitcomb	<i>Approval</i>	

**EB LLC**  
 EASTERN BRIDGE LLC  
 RURAL RTE 2, BOX 302  
 CLAREMONT, NH 03743  
 603-542-5202

PROJECT:	T.H.1 OVER MENDON BROOK (BRIDGE NO. 3)		
LOCATION:	TOWN OF MENDON, COUNTY OF RUTLAND		
ENGINEER:	STATE OF VERMONT AGENCY OF TRANSPORTATION		
CUSTOMER:	FRANK W. WHITCOMB CONSTRUCTION		
DRAWING TITLE:	GIRDER STANDARDS		
DRAWN BY:	JF	4-17-06	JOB NUMBER: 6085
CHECKED BY:	FM	5-1-06	SHEET NUMBER: X1