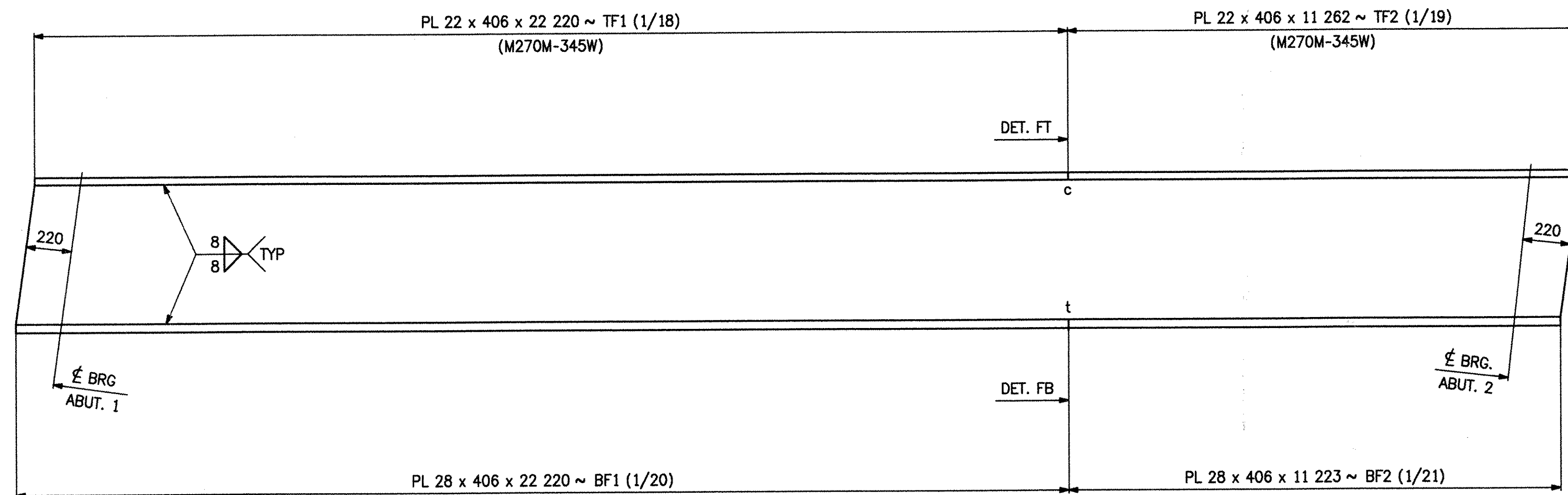
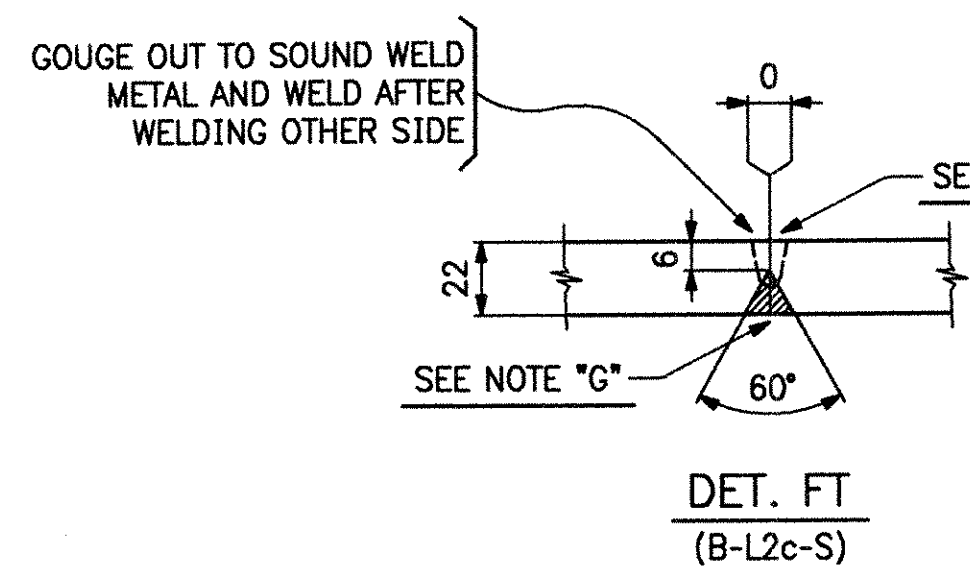


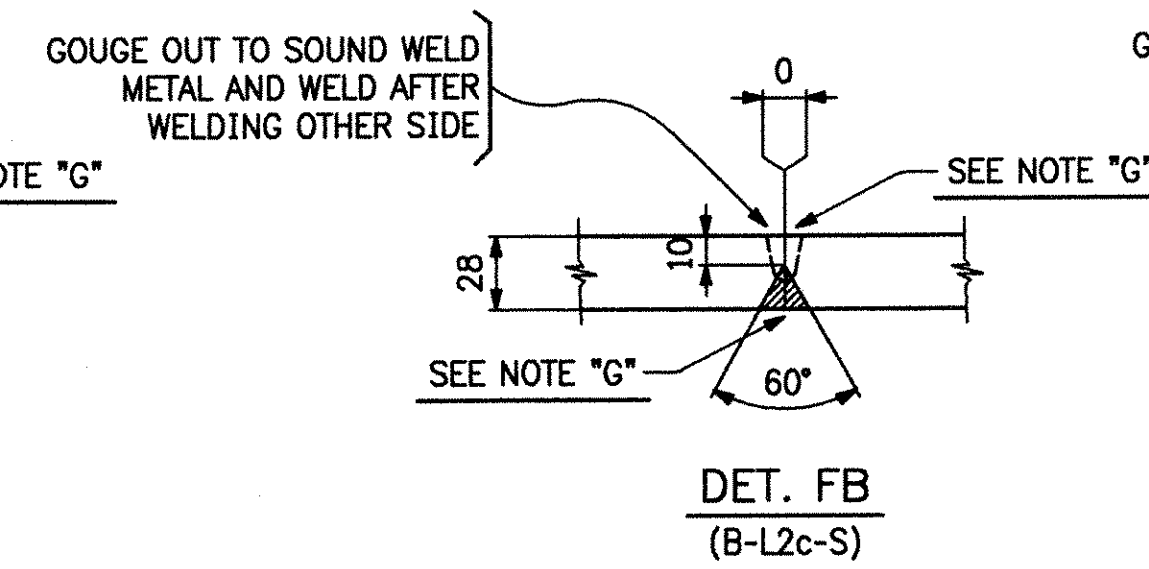
CAMBER DIAGRAM FOR ~ 3G3A



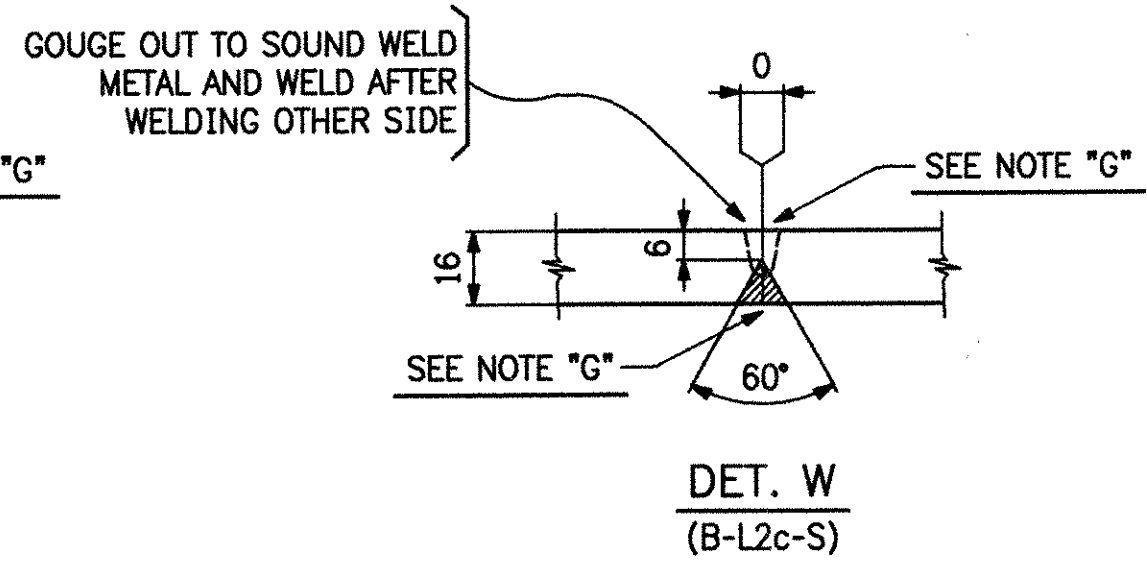
FLANGE DIAGRAM FOR ~ 3G3A



DET. FT  
(B-L2c-S)



DET. FB  
(B-L2c-S)



DET. W  
(B-L2c-S)

NOTE "G"

GRIND THE WELDS SMOOTH IN THE AREAS TO BE TESTED AND FOR THE FULL DEPTH OF WEB. ALL OTHER WELDS MAY HAVE A MAXIMUM REINFORCEMENT OF 3mm (1/8).

NOTES:

1. MATERIAL TO BE M270M-345WT2 (UN).
2. FOR GENERAL NOTES SEE SHT. GN1
3. THE LETTERS "t" & "c" AT FLANGE SPLICES INDICATE TENSION AND COMPRESSION SPLICES RESPECTIVELY.
4. (T) DENOTES TENSION AREA AT WEB SPLICE.

RECEIVED  
 CK'D BY: *WJS* CK'D BY: \_\_\_\_\_  
 MAY 18 2006  
 RESUBMIT: \_\_\_\_\_ APPROVED: *[Signature]*  
 BY: *[Signature]* DATE: *6/9/06*

REV.	DATE	DESCRIPTION	QTY.	DATE	ISSUED TO	FOR
			8	5/18/06	F.W. Whitcomb	Approval



EASTERN BRIDGE LLC  
 RURAL RTE 2, BOX 302  
 CLAREMONT, NH 03743  
 603-542-5202

PROJECT:	T.H.1 OVER MENDON BROOK (BRIDGE NO. 3)
LOCATION:	TOWN OF MENDON, COUNTY OF BRUTLAND
ENGINEER:	STATE OF VERMONT AGENCY OF TRANSPORTATION
CUSTOMER:	FRANK W WHITCOMB CONSTRUCTION
DRAWING TITLE:	WEB CAMBER & FLANGE DIAGRAMS
DRAWN BY:	MAV 4-13-06
CHECKED BY:	FM 5-1-06
JOB NUMBER:	6085
SHEET NUMBER:	WC3