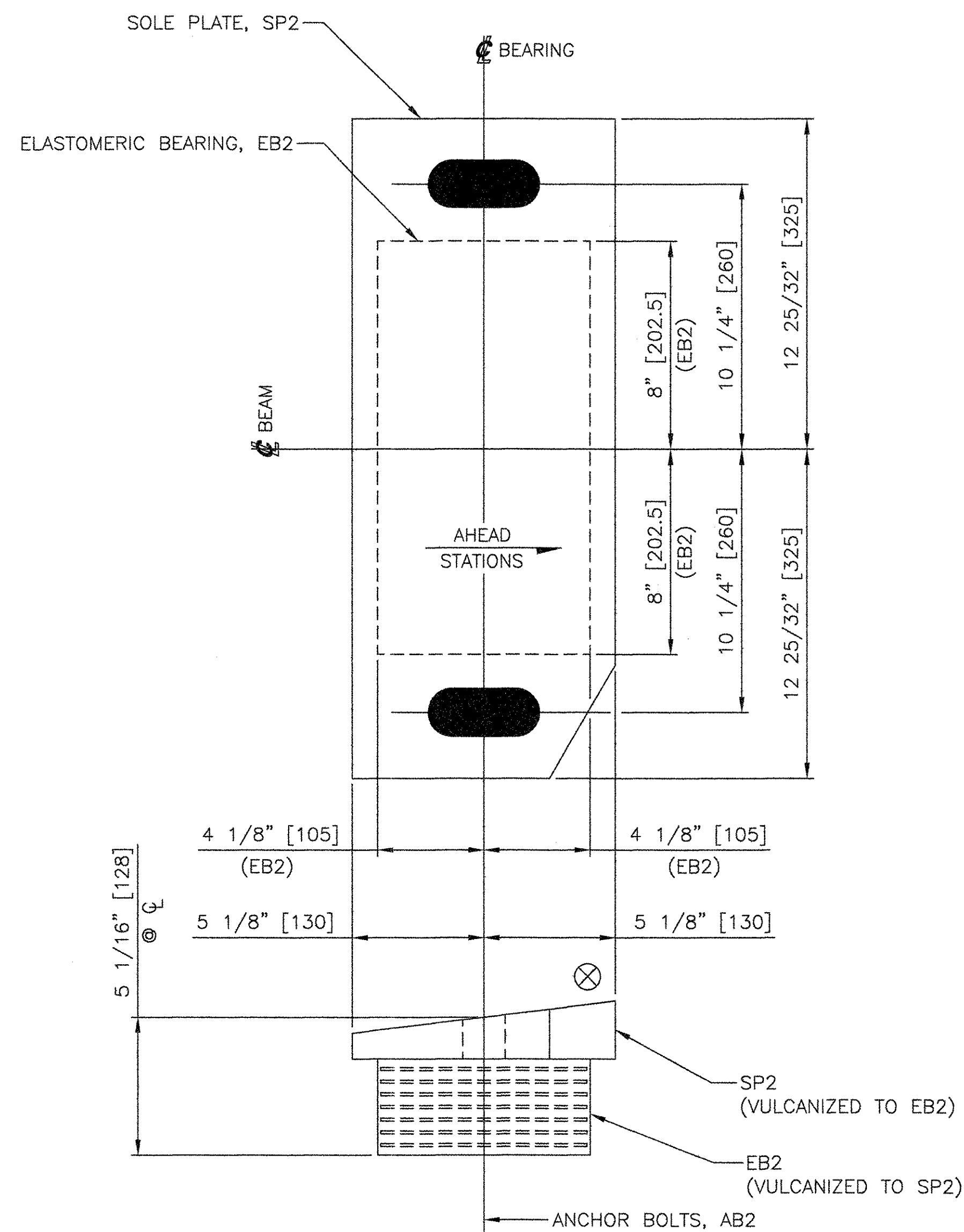


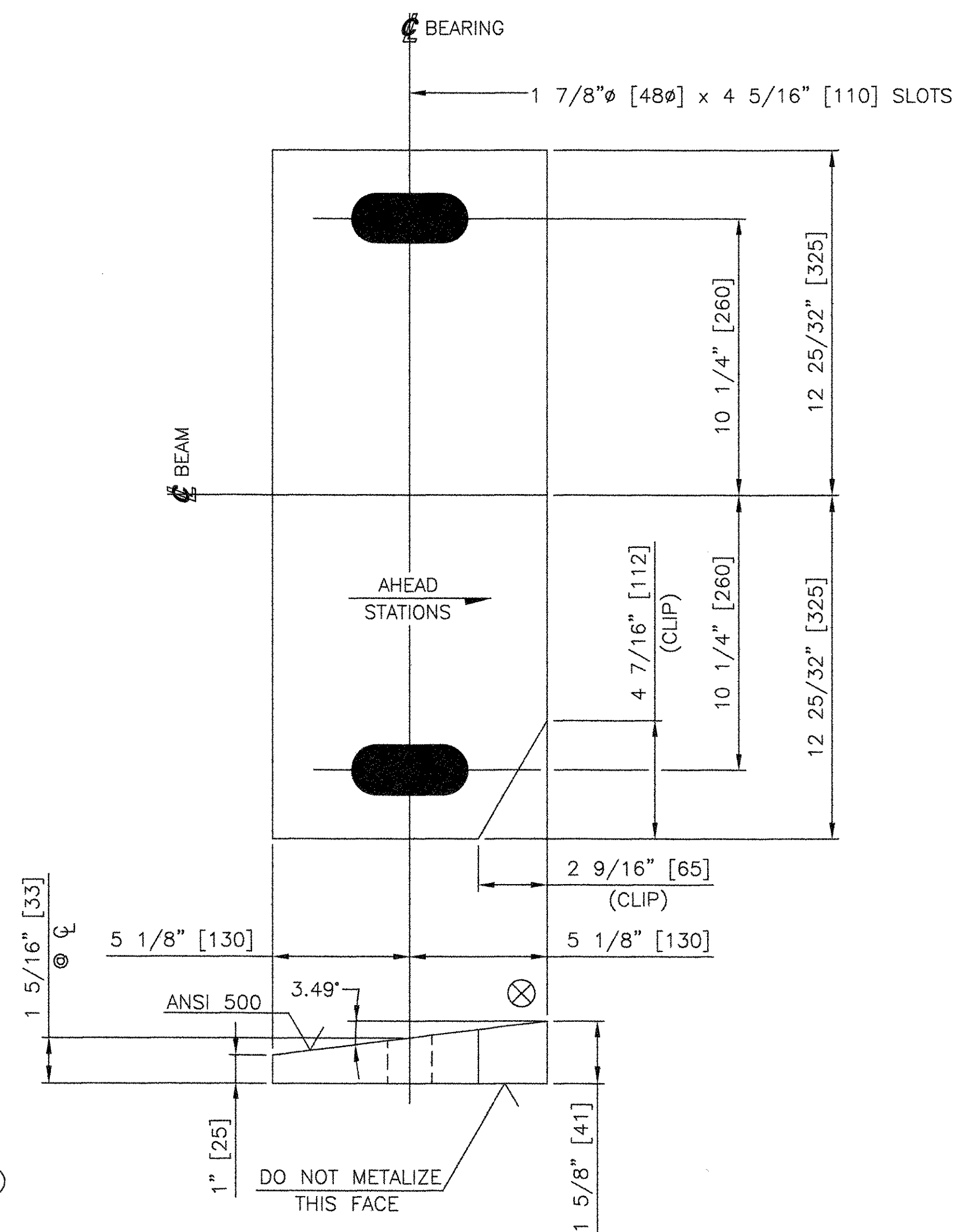
MARK	QTY	DESCRIPTION	IN	16ths	FAB MARK	MILL MARK	WEIGHT
EBA-1	5	EXPANSION BEARING ASSEMBLIES					
SP2	5	PL 1 5/8" [41] x 10 1/4" [260]	25 [650]	9		METALIZED	290
EB2	5	LAM. ELAST. PAD 3 3/4" [95] x 8 1/4" [210]	16 [405]	0		60 DURO. GR. 4 NEOPRENE	245
TOTAL =							535

ENGLISH EQUIVALENT MATERIAL FURNISHED.
METRIC EQUIVALENT IN PARENTHESIS.

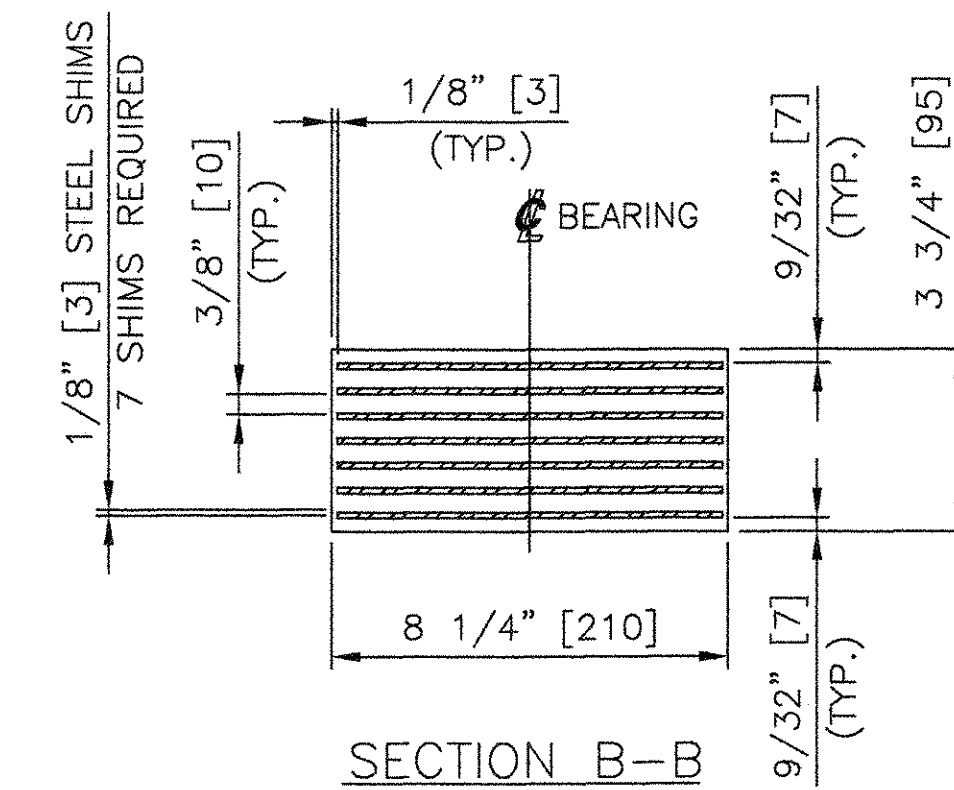


5 EXPANSION BEARING ASSEMBLIES, EBA-1

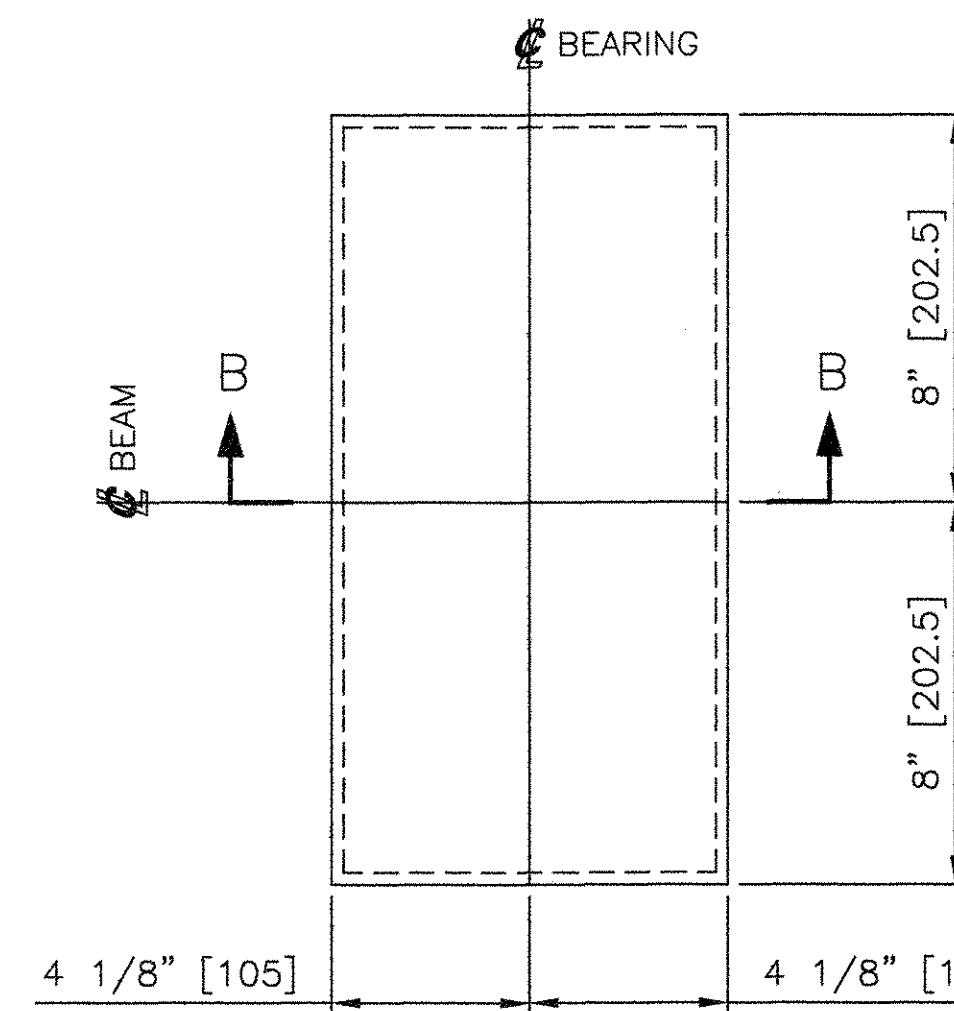
LOCATE AT
ABUTMENT 2
GIRDERS 1 THRU 5



5 FIXED SOLE PLATES, SP2
PL 1 5/8" [41] X 10 1/4" [260] X 25 9/16" [650]
(METALIZED)
VULCANIZED TO ELASTOMERIC BEARING, EB2
USE WITH
EXPANSION BEARING ASSEMBLY, EBA-1



SECTION B-B



5 ELASTOMERIC BEARINGS, EB2
LAMINATED ELASTOMERIC PAD 3 3/4" [95] x 8 1/4" [210] x 16" [405]
ELASTOMER - 60 DUROMETER, GRADE 4 NEOPRENE
WITH A SHEAR MODULUS BETWEEN
0.895 MPa AND 1.172 MPa
(129.81 psi and 169.98 psi)
SHIMS - M270, GR. 250 OR EQUIVALENT
VULCANIZED TO SOLE PLATE, SP2
USE WITH
EXPANSION BEARING ASSEMBLY, EBA-1

SEE SHEET 1 FOR SHOP NOTES.

STATE OF VERMONT
AGENCY OF TRANSPORTATION
PROJECT NAME: MENDON
PROJECT NO. BRO 1443(35)
FWW JOB NO. 61000

COSMEC, INC. 70 SOUTH STREET
WALPOLE, MA. 02081

RECEIVED
CHK'D BY: JJK OK'D BY: _____
MAR 09 2006
RESUBMIT: _____ APPROVED: *As Noted*
BY: *Syd* DATE: 3/2/06

SCALE: NONE DRAWN BY: JEP CHECKED BY: PJM
SHEET 2 OF 3 DATE: 03/06 DATE: 03/06

COSMEC BEARING

REV.	BY	DATE	CHK'D BY	DATE	CUSTOMER	S.O. NUMBER	DRAWING NUMBER	REV.
---	---	---	---	---	FRANK W. WHITCOMB CONSTRUCTION CORPORATION	60520	4675	0

09666