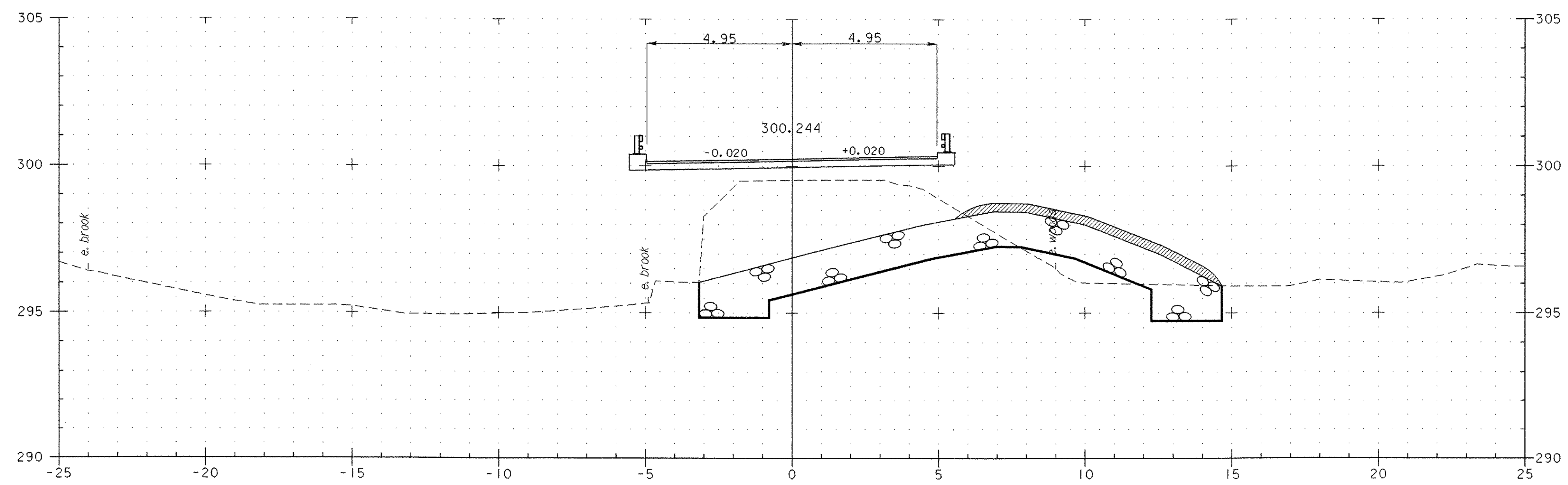


2+157.808  
END BRIDGE



2+150

Mainline 2+150 - Mainline 2+158



PROJECT: MENDON	PROJECT NO.: BRO 1443(35)
DESIGN FILE NAME: /str5/95j290/sj290bdr.dgn	PLOT DATE: 18-NOV-2005
IPARM FILE NAME: SJ290MIL.i	
MAINLINE CROSS SECTIONS	
SHEET: 75 OF 94	