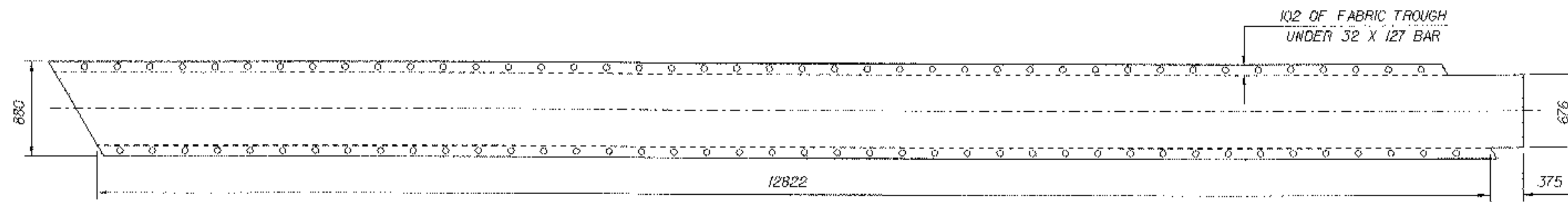
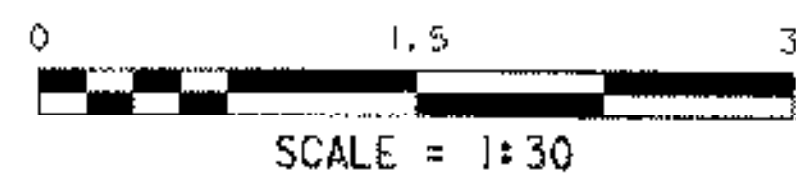
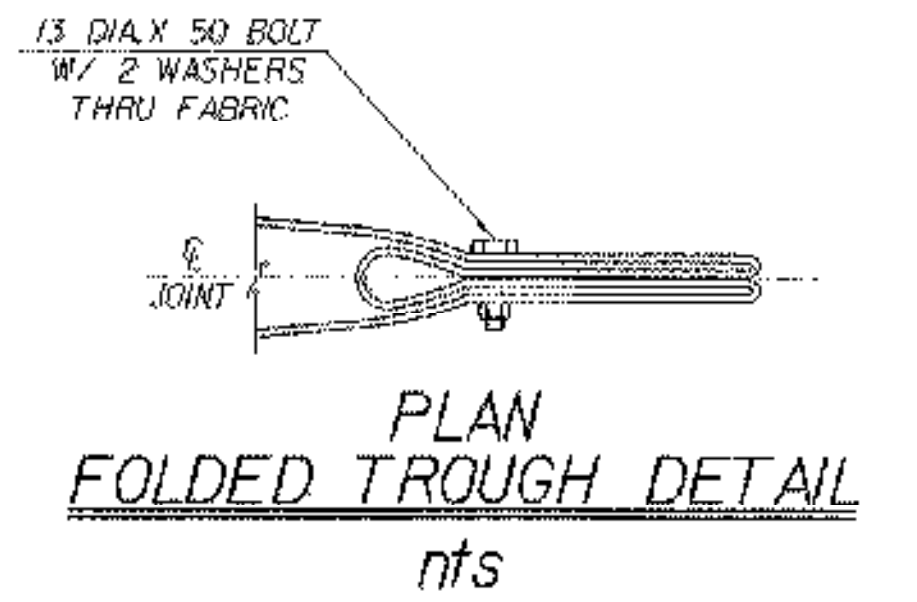
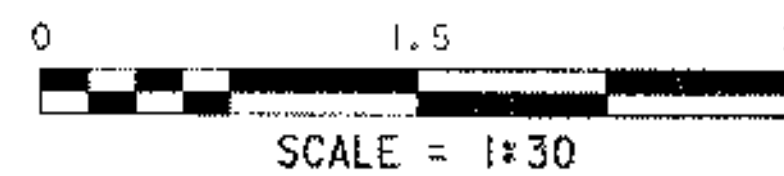


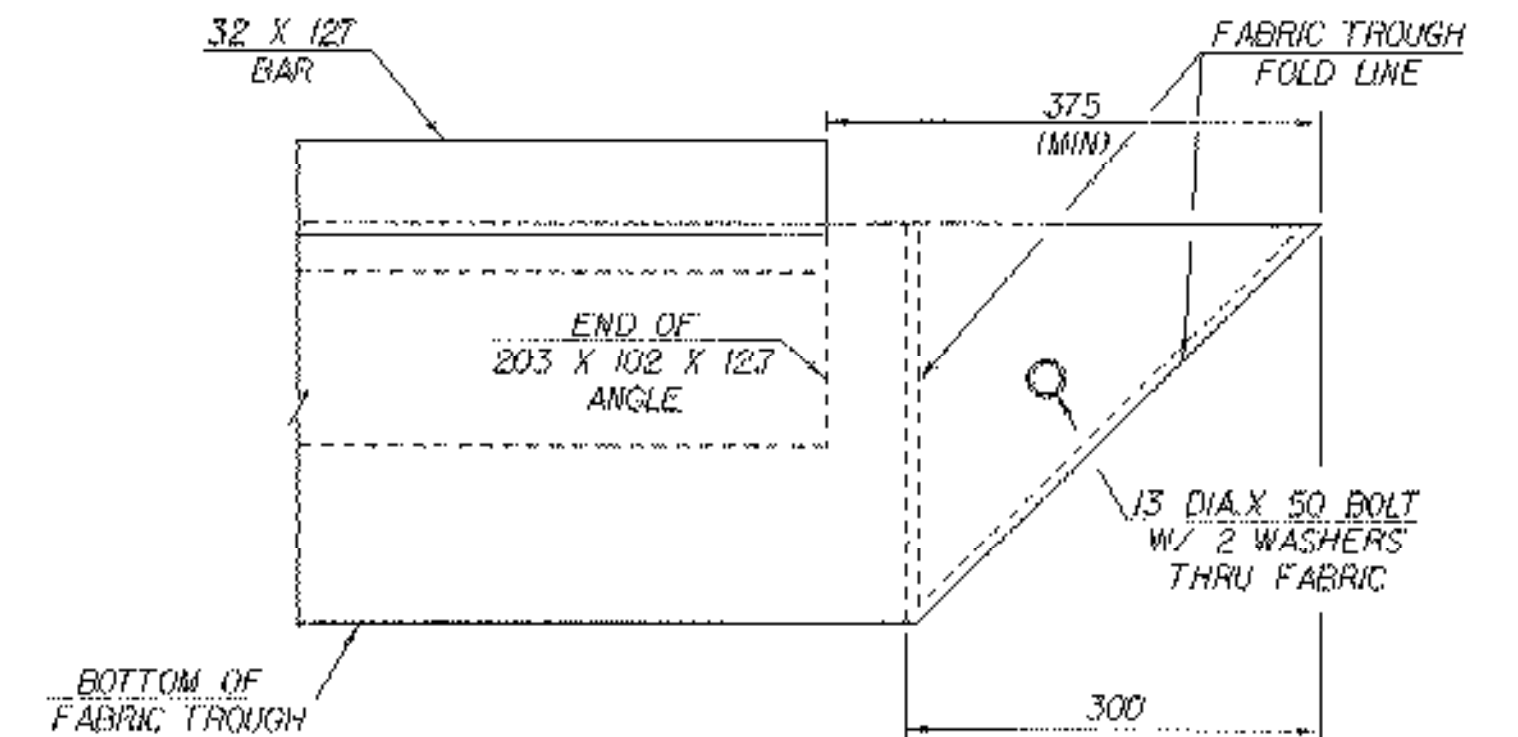
**EXPANSION JOINT PLAN VIEW**



**TROUGH PLAN VIEW**

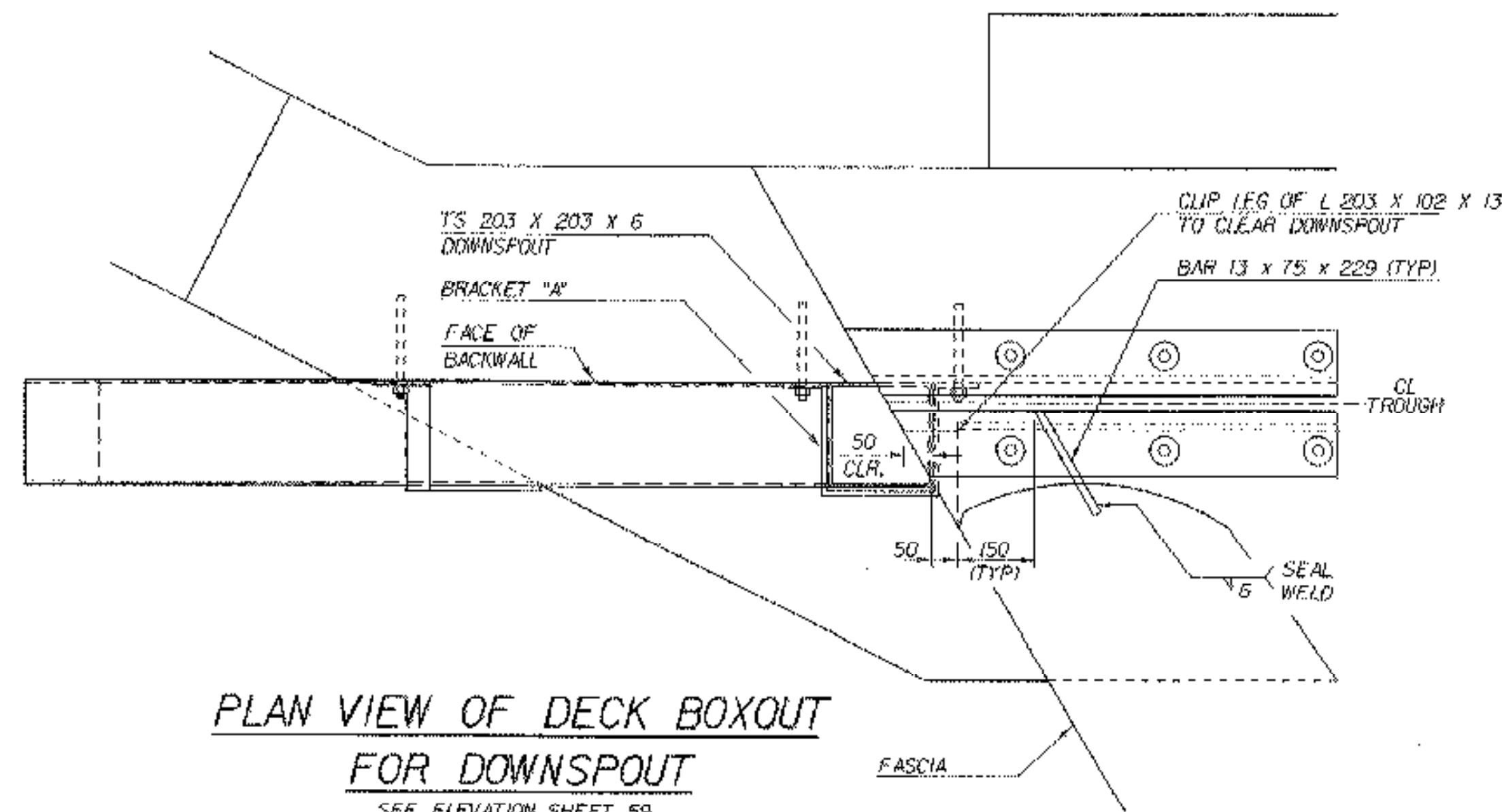


DOWNSPOUT ADDED TO THIS SIDE AS WELL DUE TO INSUFFICIENT SLOPE OF THE TROUGH



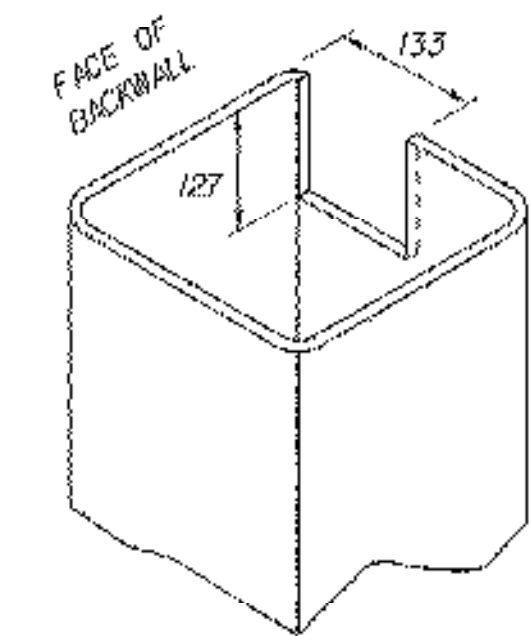
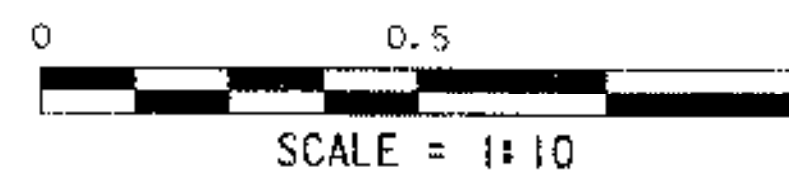
**ELEVATION FOLDED TROUGH END DETAIL**

nts



**PLAN VIEW OF DECK BOXOUT FOR DOWNSPOUT**

SEE ELEVATION, SHEET 59



**DOWNSPOUT CUTOUT FOR TROUGH**

nts

**JOINT PLAN**

PROJECT NAME:	MENDON	FILE NAME:	/str5/95j290/sj290exp.dgn	PLOT DATE:	18-NOV-2005
PROJECT NUMBER:	BRO 1443 (35)	PROJECT LEADER:	C. KELLER	DRAWN BY:	K. RUTTER
		DESIGNED BY:	M. EVANS-MONGEON	CHECKED BY:	T. SUMNER
			sj290jfp.f		SHEET 58 OF 94