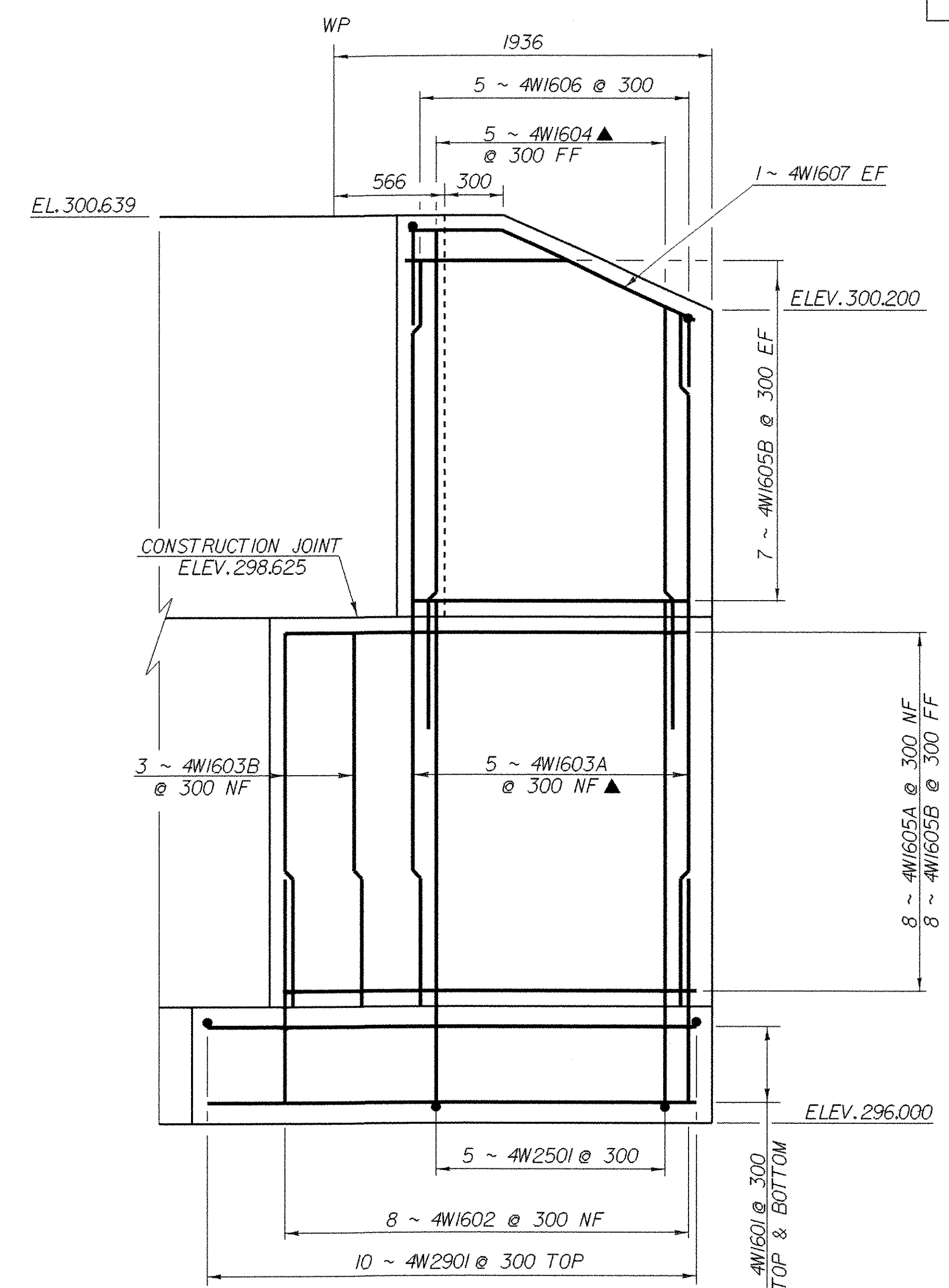
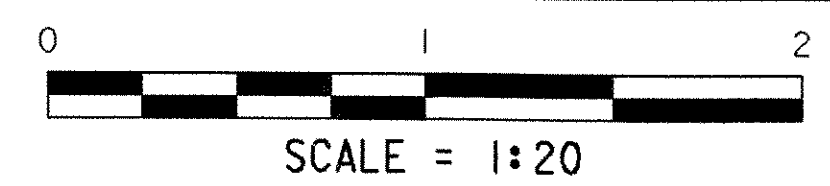
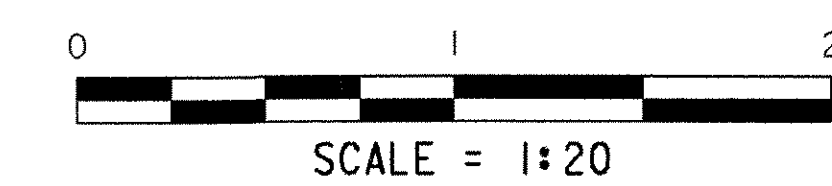


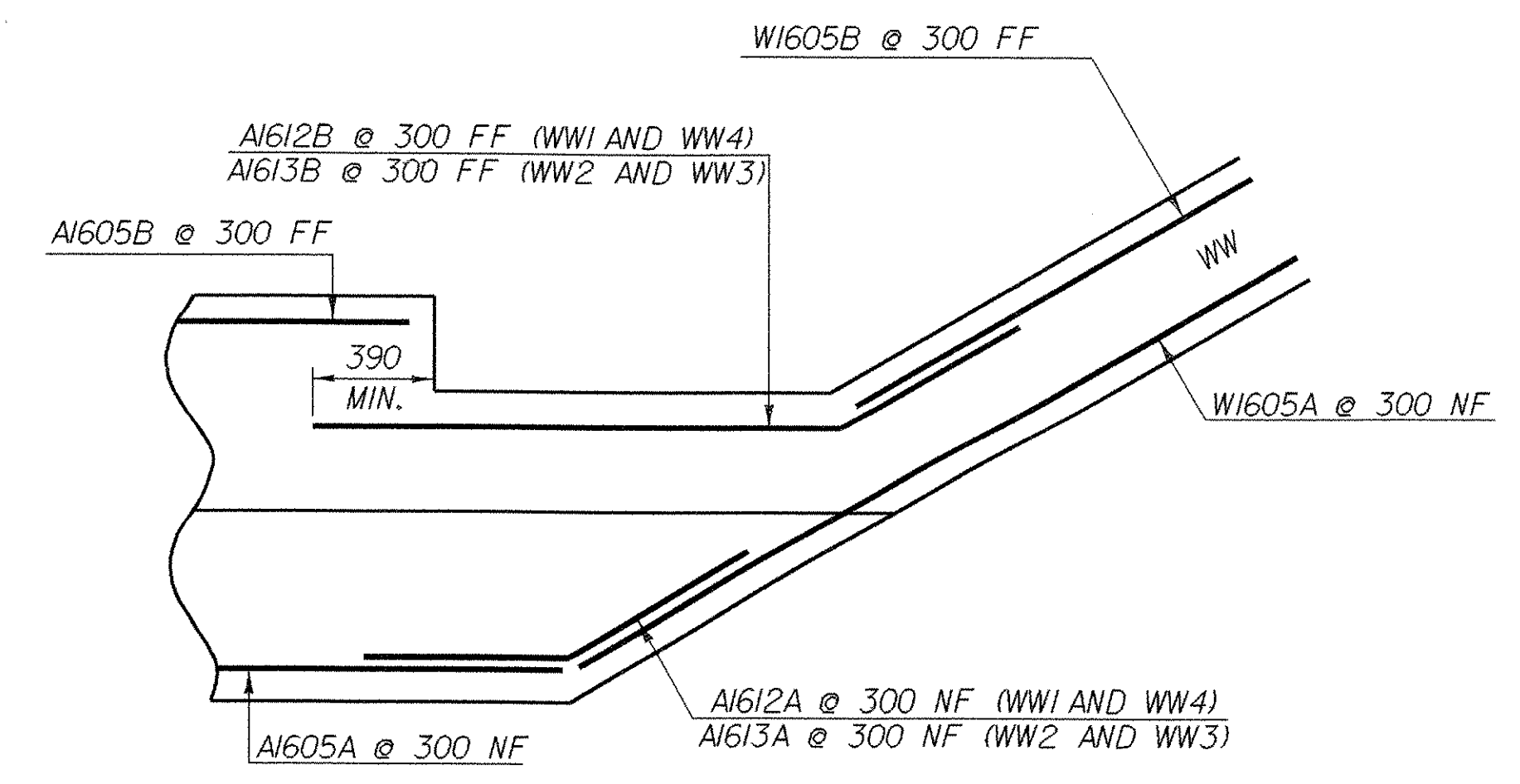
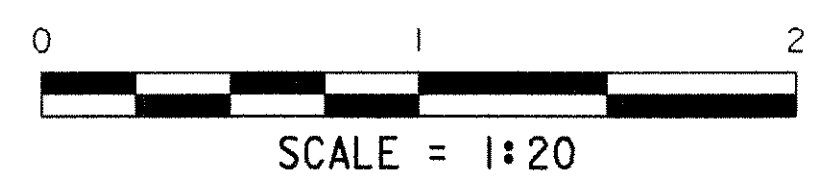
WINGWALL NO.3 ELEVATION



WINGWALL NO.4 ELEVATION



BELOW BRIDGE SEAT CORNER DETAIL



NOTE:

NF = NEAR FACE
 FF = FAR FACE
 EF = EACH FACE
 ▲ = CUT TO FIT IN FIELD
 75 CLR. UNLESS OTHERWISE SPECIFIED ON THE PLANS.

WINGWALL NO. 3 AND NO. 4 DETAILS

PROJECT NAME:	MENDON
PROJECT NUMBER:	BRO 1443 (35)
FILE NAME: /str5/95j290/sj290sub.dgn	PLOT DATE: 18-NOV-2005
PROJECT LEADER: C. KELLER	DRAWN BY: K. RUTTER
DESIGNED BY: M. EVANS-MONGEON	CHECKED BY: T. SUMNER
sj290ww2.1	SHEET 56 OF 94