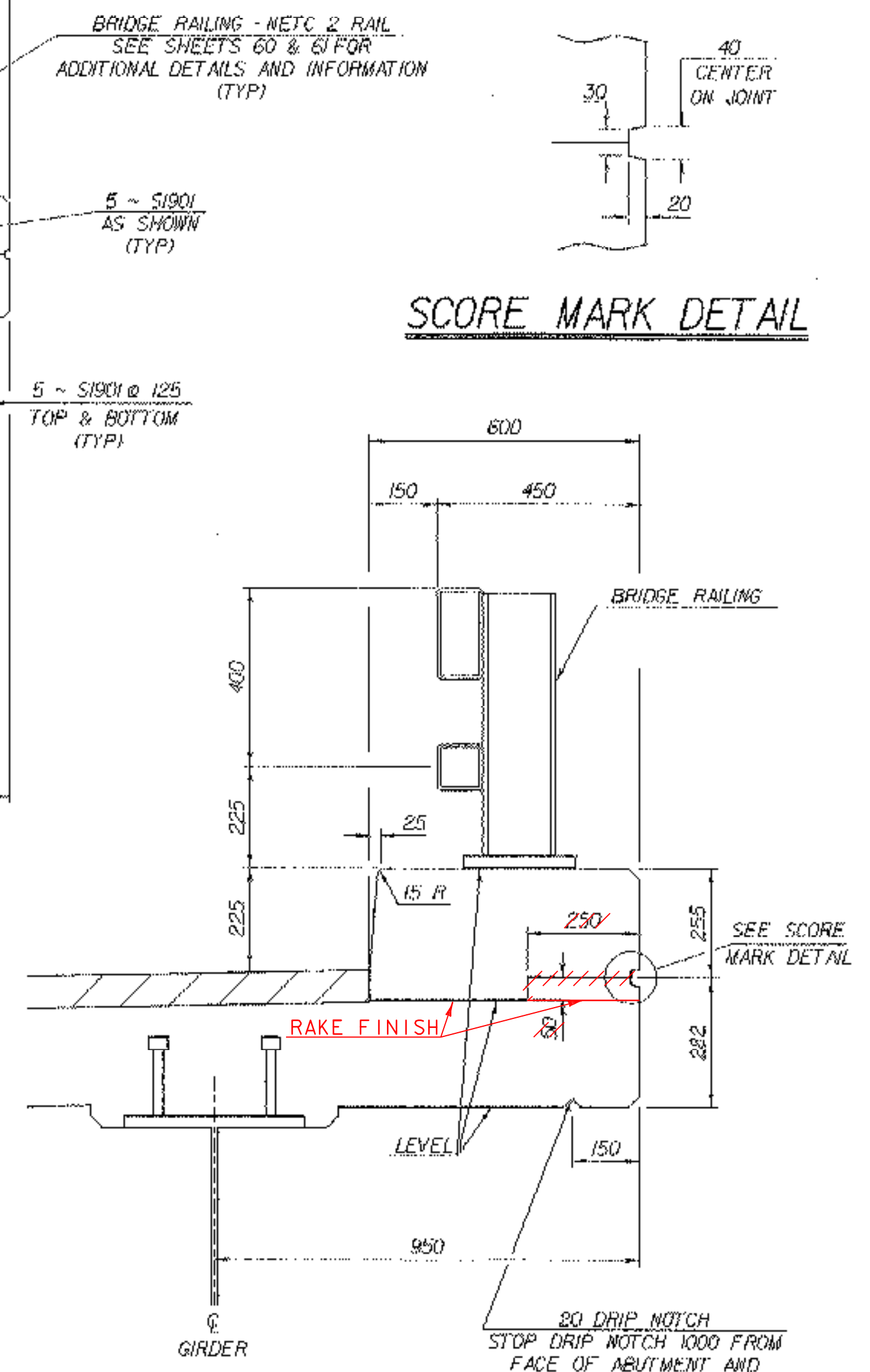
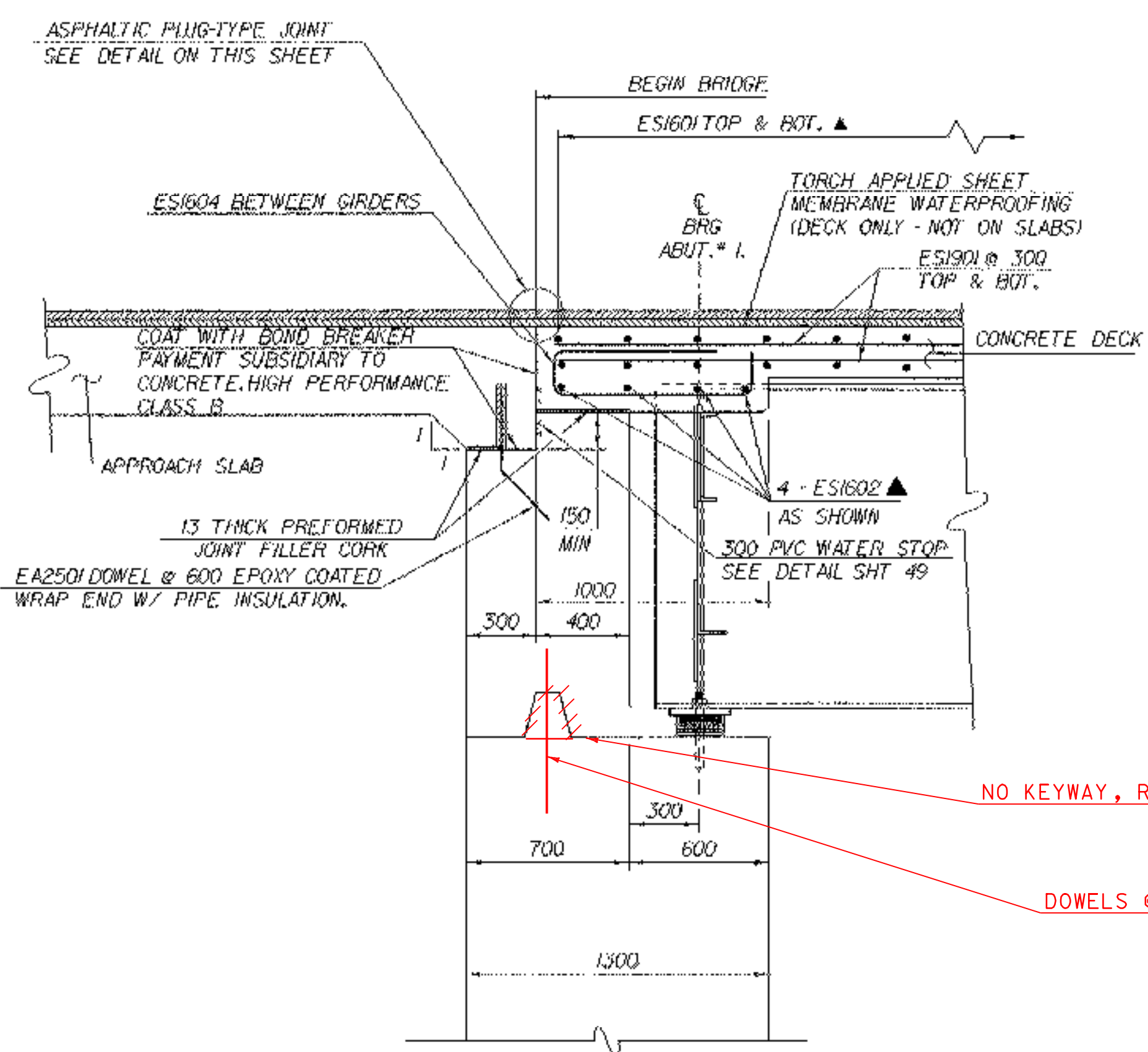


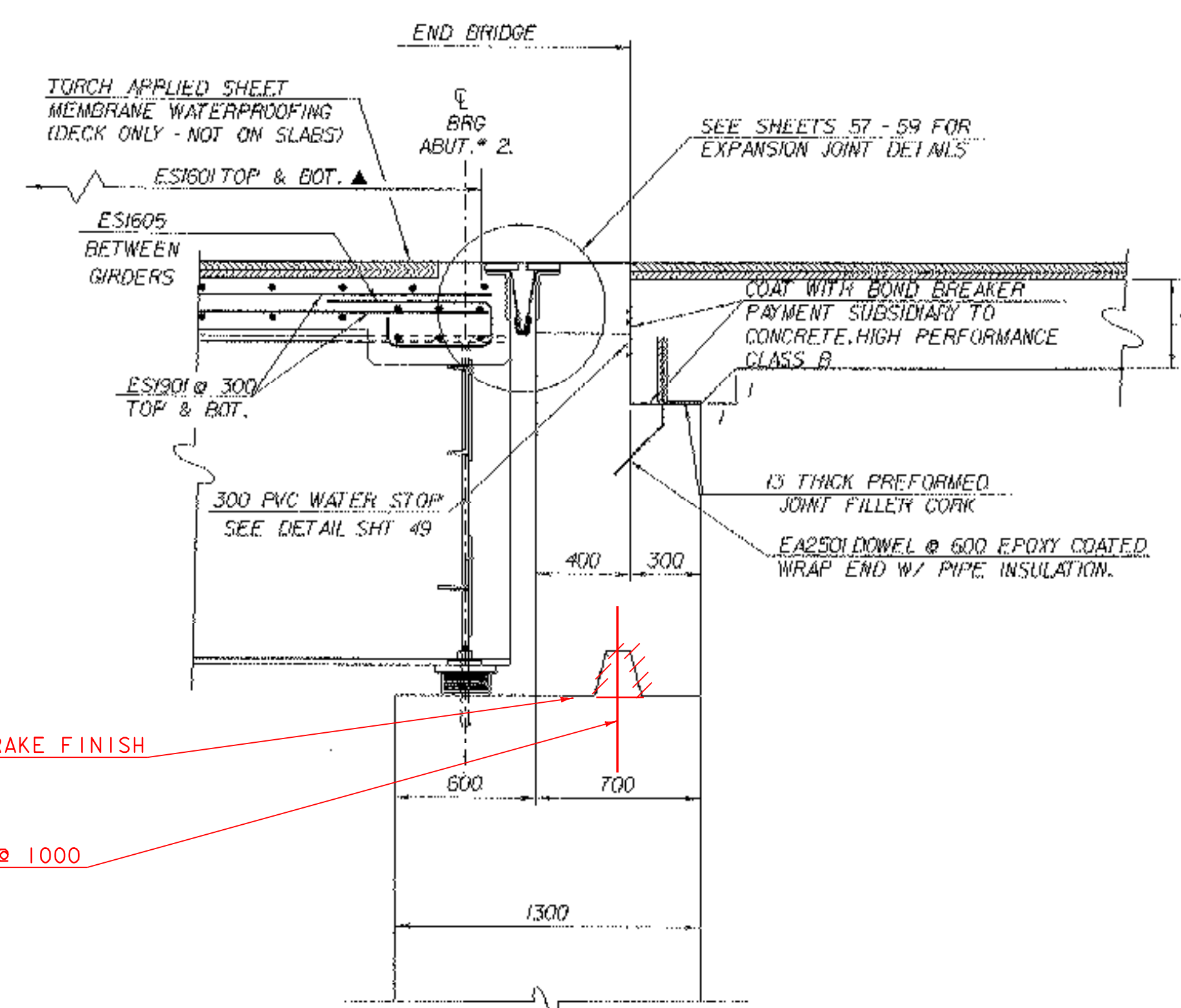
**TYPICAL BRIDGE SECTION**  
SCALE = 1:20



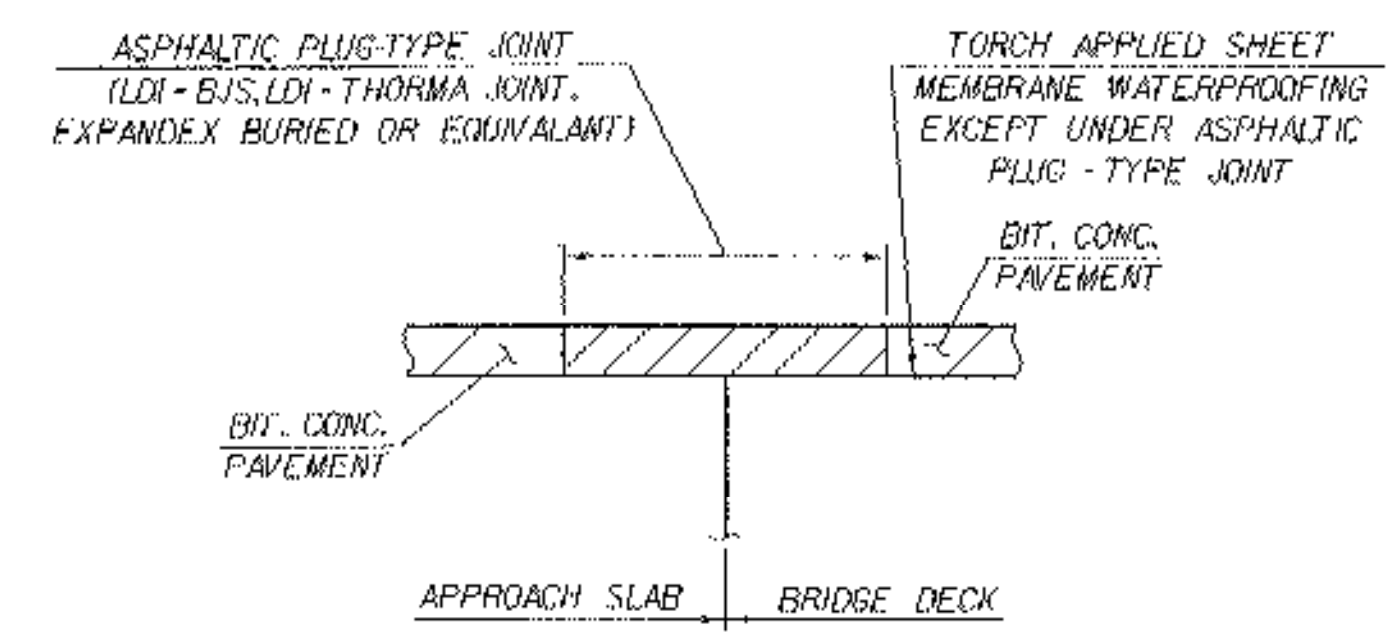
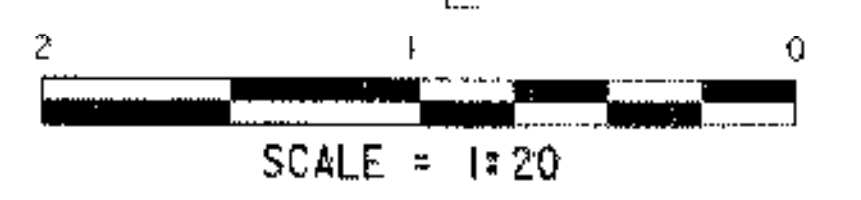
**CURB SECTION - TYPICAL FASCIA**  
SCALE = 1:10



**END DETAIL @ ABUTMENT 1 FIXED**  
NORMAL TO  $\bar{C}$  BEARING



**END DETAIL @ ABUTMENT 2 EXPANSION**  
NORMAL TO  $\bar{C}$  BEARING



**ASPHALTIC PLUG-TYPE JOINT DETAIL**  
NTS

**NOTE:**  
NF = NEAR FACE  
FF = FAR FACE  
EF = EACH FACE  
▲ = CUT TO FIT IN FIELD  
75 CLR, UNLESS OTHERWISE SPECIFIED ON THE PLANS.

**BRIDGE TYPICAL & END DETAILS**

PROJECT NAME:	MENDON	PLOT DATE:	18-NOV-2005
PROJECT NUMBER:	BRO 1443 (35)	DRAWN BY:	K. RUTTER
FILE NAME:	/s/r/5/95/290/s/290sup.dgn	CHECKED BY:	T. SUMNER
PROJECT LEADER:	C. KELLER	SHEET	45 OF 94
DESIGNED BY:	M. EVANS-MONGEON		
sj290brg1yp.j			