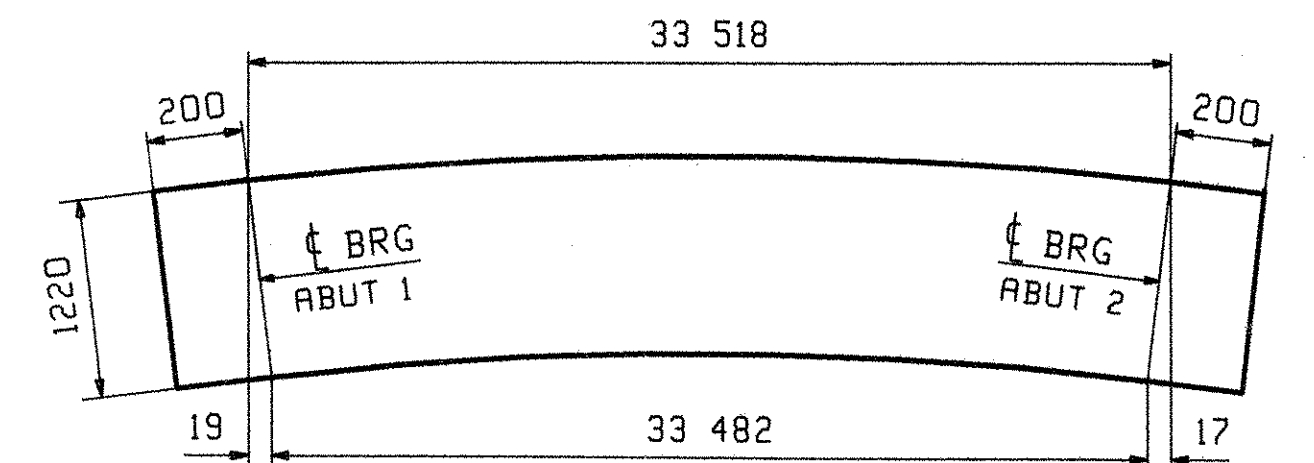


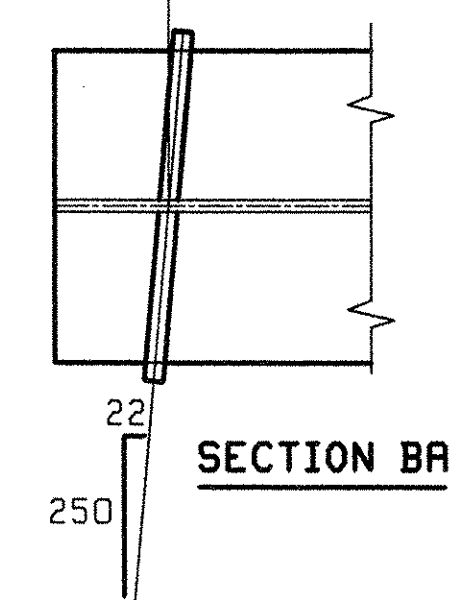
ABM INFO		SHTP		BILL OF MATERIAL				JOB NO.	DRAWING NO.	REV.
								285	4	
PAGE	LINE	MARK	QTY	MARK	MATERIAL	LENGTH		REMARKS	WT	PROCUREMENT NOTES
						m	mm			
		4G4	1		GIRDER				1058 kg 23400 lb	
1	G		1	wa	PL 13x1220	11	619	(M270M-345WT2)		(H2-3)
1	E		1	wb	PL 13x1220	22	301	(M270M-345WT2)		(H2-3)
1	J		1	ta	PL 25x406	22	600			
1	L		1	tb	PL 25x406	11	318			
1	A		1	ba	PL 35x406	22	600	(M270M-345WT2)		(H2-3)
1	C		1	bb	PL 35x406	11	282	(M270M-345WT2)		(H2-3)
2	B		4	x1b	PL 22x220	1	220	MIE		
2	C		4	x1c	PL 13x178	1	220			
2	C		1	x1d	PL 13x178	1	220			
2	C		1	x1f	PL 13x178	1	220			
2	C		1	x1g	PL 13x178	1	220			
2	C		1	x1k	PL 13x178	1	220			

**ONE - GIRDER - 4G4**

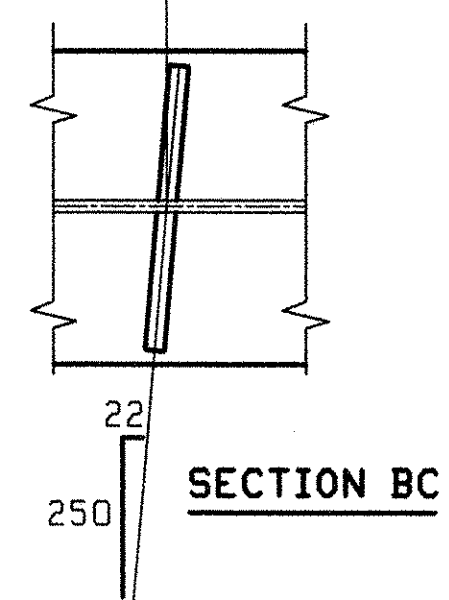
FOR GIRDER STANDARD DETAILS SEE DRAWING XI.  
 FOR CAMBER DIAGRAM SEE DRAWING C1.  
 FOR GENERAL NOTES SEE DRAWING GNI.  
 H2-3 DENOTES MATERIAL SUBJECT TO CHARPY V-NOTCH TESTING.



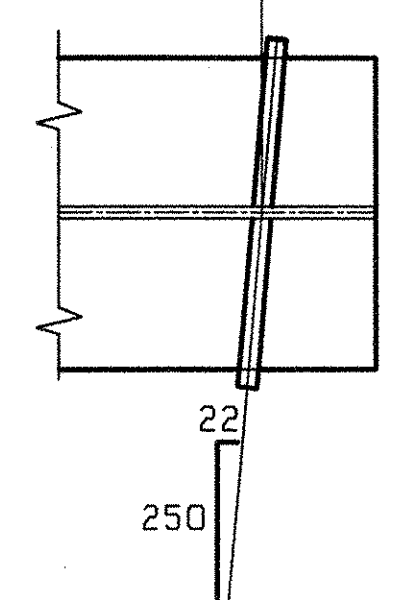
ORIENTATION DIAGRAM  
FOR CAMBER SEE DWG C1



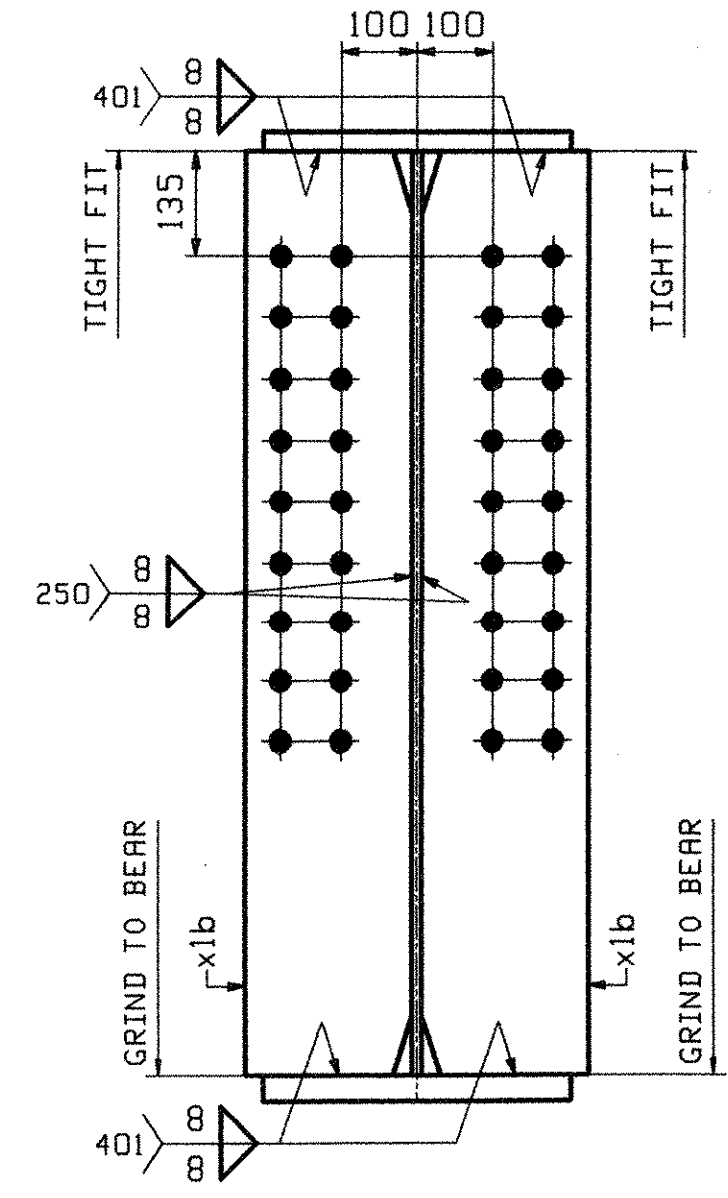
SECTION BA



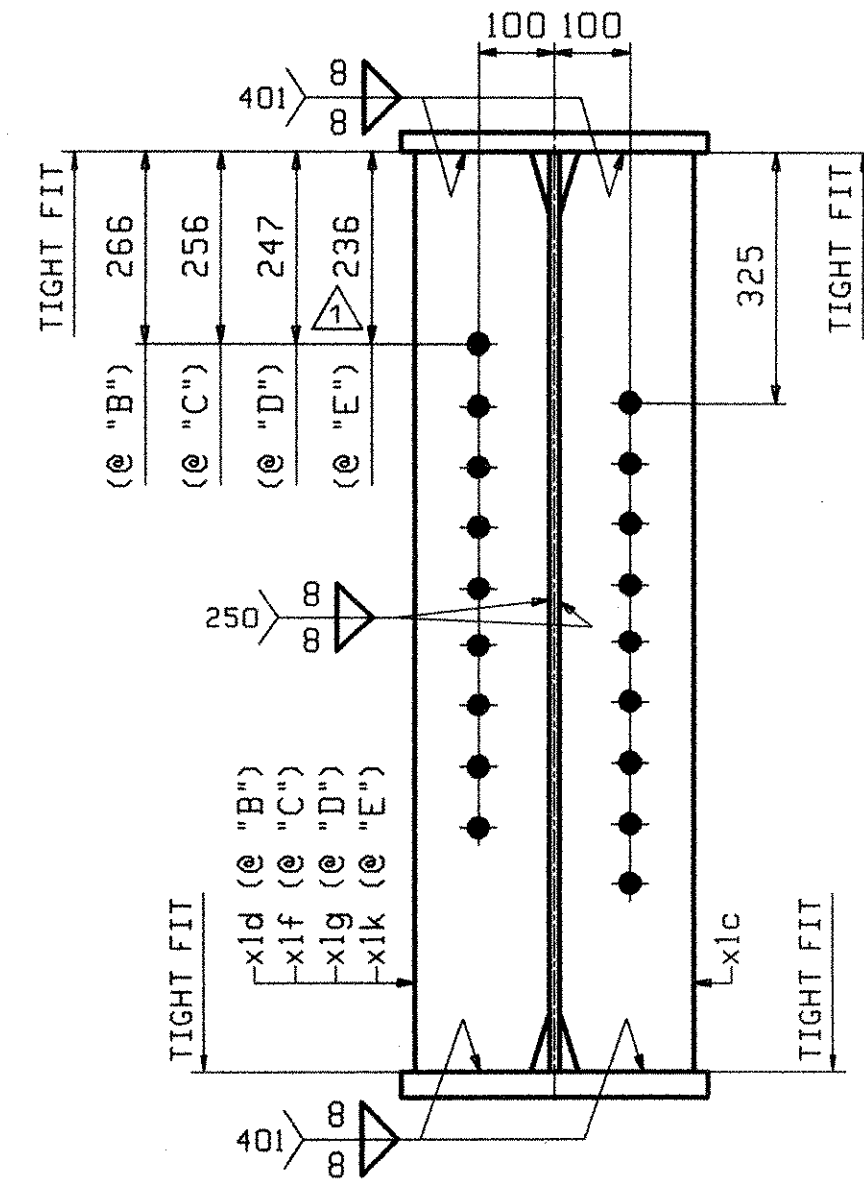
SECTION BC



SECTION BB



SECTION A  
(DEVELOPED)



SECTIONS B THRU E  
(DEVELOPED)

OUT FOR APPROVAL	12-28-05										
OUT FOR APPROVAL	2-27-06										
ISSUED TO SHOP											
FIELD & OFFICE											
APPROVAL COMMENTS	2/21	JTB	ELC								
REV.	REMARKS	DATE	DWN	CHK	APP	O.A.	NO.	DIA.	LGT	TYPE	WASHER
MATERIAL:	M270M GR 345W	ELECTRODES:		HOLES:	15 16 (UN)	SHOP BOLTS:					NONE
SURFACE PREP. & PAINT: SEE DRAWING GNI											
DESCRIPTION:	GIRDER - 4G4							DRAWN BY	DATE		
JOB:	TH 1 (FAS 160) OVER OTTER CREEK							JTB	11/08		
	BRIDGE NO. 6							CHKD BY			
	TOWN OF LEICESTER, VERMONT							ELC	12/06		
	COUNTY OF ADDISON							APPROV BY			
	CONTRACTOR: BLOW & COTE							SUPERVISOR	W. J. GATTI		
PROJ NO.	BRF 0160(3)S							O.A.			
CUSTOMER:	VT ROT										
<b>CASCO BAY STEEL STRUCTURES, INC.</b>											
75 SPRING HILL ROAD						SACO, MAINE 04072			JOB NO.	DRG. NO.	
PHONE (207) 282-7360						FAX. (207) 282-1179			285	4	
										REV.	▲

RECEIVED  
 MAR 03 2006  
 APPROVED  
 DATE 3/6/06