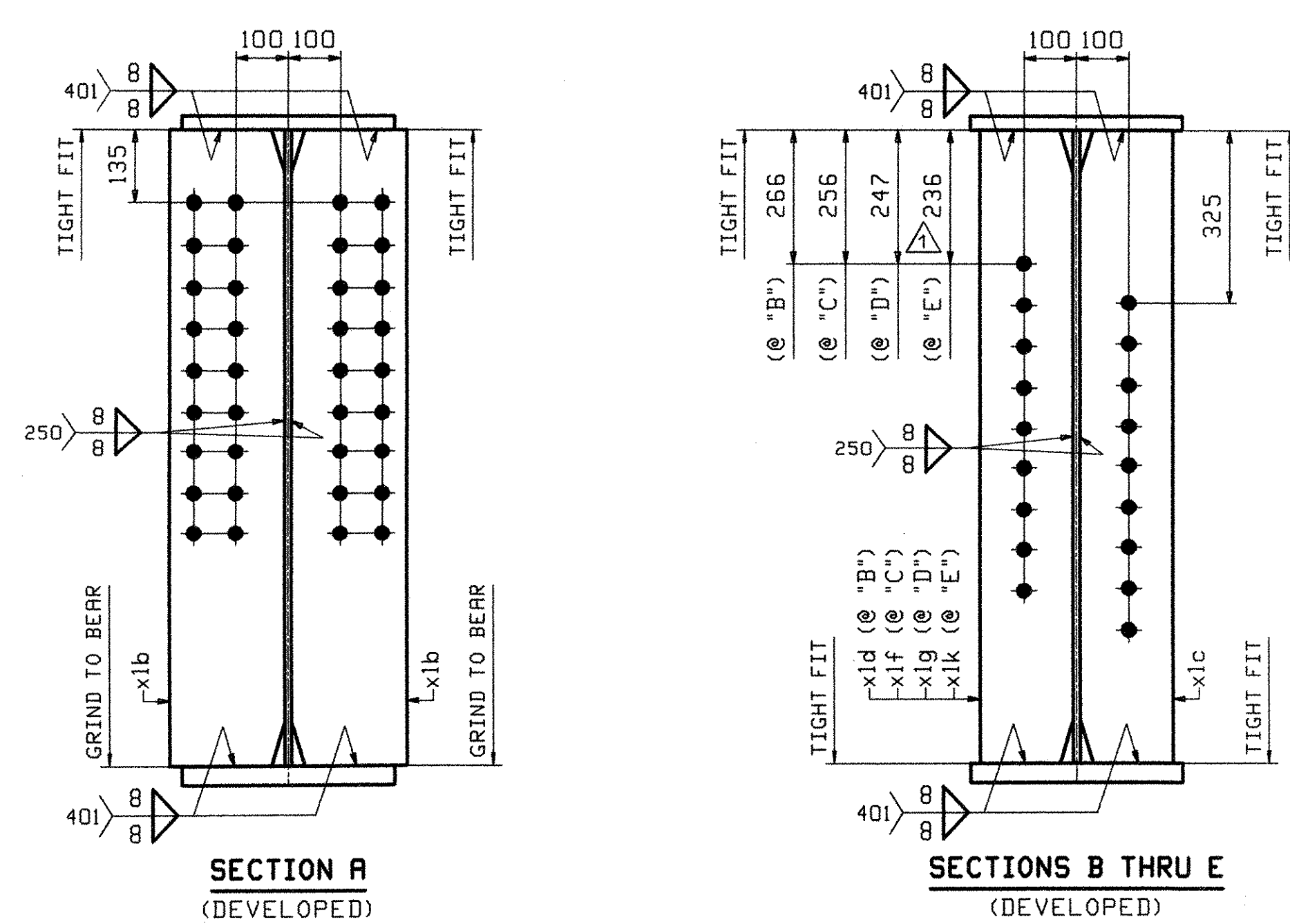
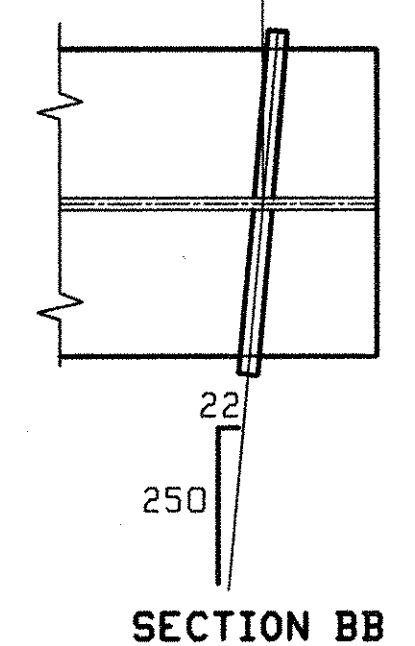
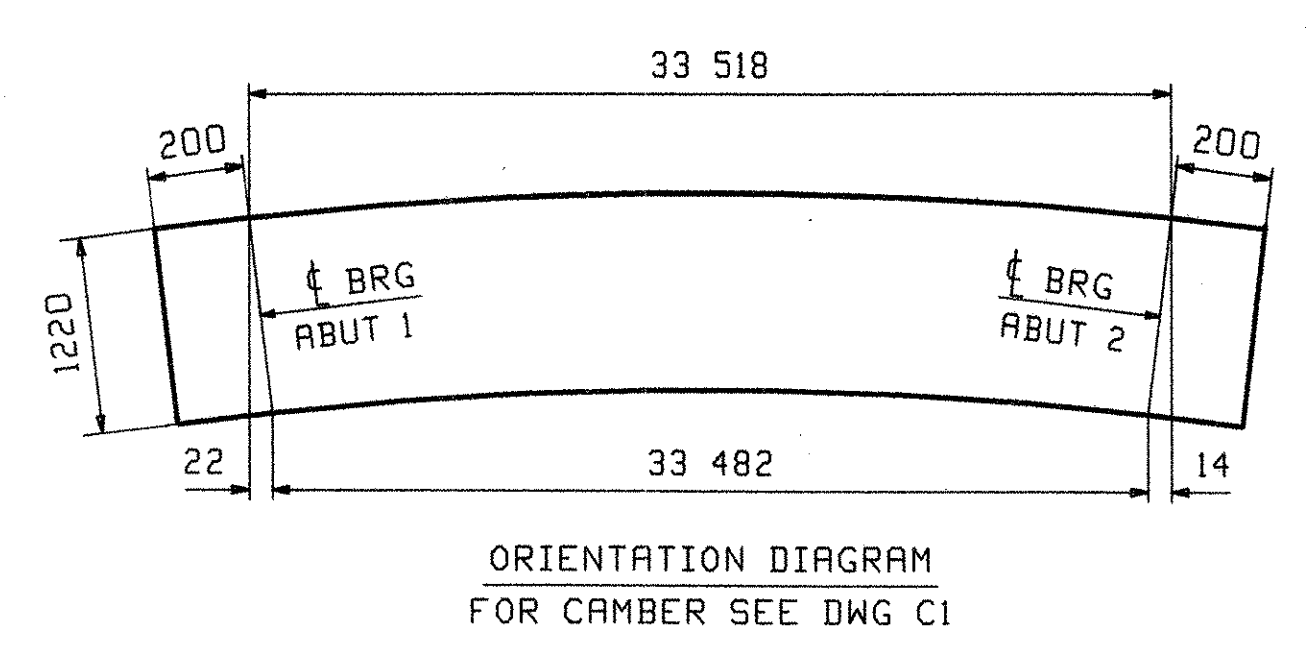


ONE - GIRDER - 2G2

FOR GIRDER STANDARD DETAILS SEE DRAWING XI.
 FOR CAMBER DIAGRAM SEE DRAWING C1.
 FOR GENERAL NOTES SEE DRAWING GNI.
 H2-3 DENOTES MATERIAL SUBJECT TO CHARPY V-NOTCH TESTING.



ABM INFO		SHIP		BILL OF MATERIAL				JOB NO.	DRAWING NO.	REV.
								285	2	
PAGE	LINE	MARK	QTY	MARK	MATERIAL	LENGTH		REMARKS	WT	PROCUREMENT NOTES
						m	mm			
		2G2	1		GIRDER				1068 kg 23400 lb	
1	G		1	wa	PL 13x1220	11	623	(M270M-345HT2)	(H2-3)	
1	E		1	wb	PL 13x1220	22	297	(M270M-345HT2)	(H2-3)	
1	J		1	ta	PL 25x406	22	600			
1	L		1	tb	PL 25x406	11	318			
1	A		1	ba	PL 35x406	22	600	(M270M-345HT2)	(H2-3)	
1	C		1	bb	PL 35x406	11	282	(M270M-345HT2)	(H2-3)	
2	B		4	x1b	PL 22x220	1	220	M/E		
2	C		4	x1c	PL 13x178	1	220			
2	C		1	x1d	PL 13x178	1	220			
2	C		1	x1f	PL 13x178	1	220			
2	C		1	x1g	PL 13x178	1	220			
2	C		1	x1k	PL 13x178	1	220			



OUT FOR APPROVAL	8-28-05										
OUT FOR APPROVAL	8-27-06										
ISSUED TO SHOP											
FIELD & OFFICE											
APPROVAL COMMENTS	2/21	JTB	ELC								
REV.	REMARKS	DATE	DWN	CHK	APP	Q.A.	NO.	DIA.	LGT	TYPE	WASHER
MATERIAL:		ELECTRODES:		HOLES:		SHOP BOLTS:					
M270M GR 345W				15 16 (UN)		NONE					

SURFACE PREP. & PAINT:									
SEE DRAWING GNI									
DESCRIPTION: GIRDER - 2G2								DRAWN BY	DATE
JOB: TH 1 (FAS 160) OVER OTTER CREEK								JTB	11/08
BRIDGE NO. 6								CHKD BY	
TOWN OF LEICESTER, VERMONT								ELC	12/06
COUNTY OF ADDISON								APPROV BY	
CONTRACTOR: BLOW & COTE								SUPERVISOR	W. J. GATTI
PROJ NO. BRF D160(3)S								Q.A.	
CUSTOMER: VT ROT									
CASCO BAY STEEL STRUCTURES, INC.								JOB NO.	DRG. NO.
75 SPRING HILL ROAD								285	2
PHONE (207) 282-7360								SACO, MAINE 04072	REV. (A)
FAX. (207) 282-1179									

RECEIVED
 OK'D BY: JTB
 MAR 03 2006
 RESUBMIT APPROVED
 BY: RRLW DATE: 3/6/06