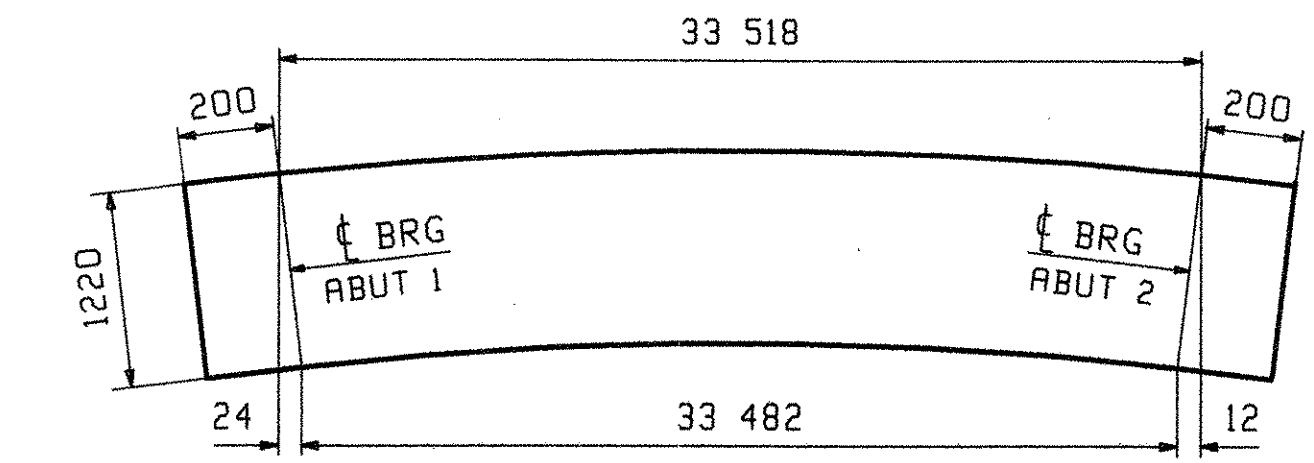
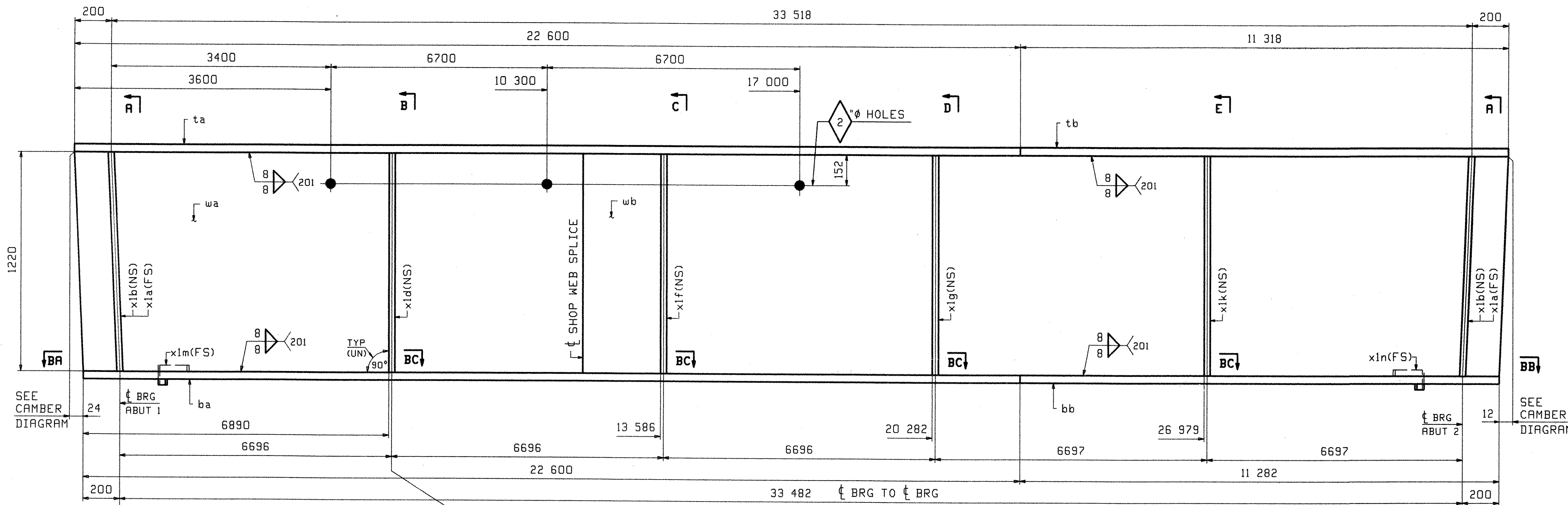
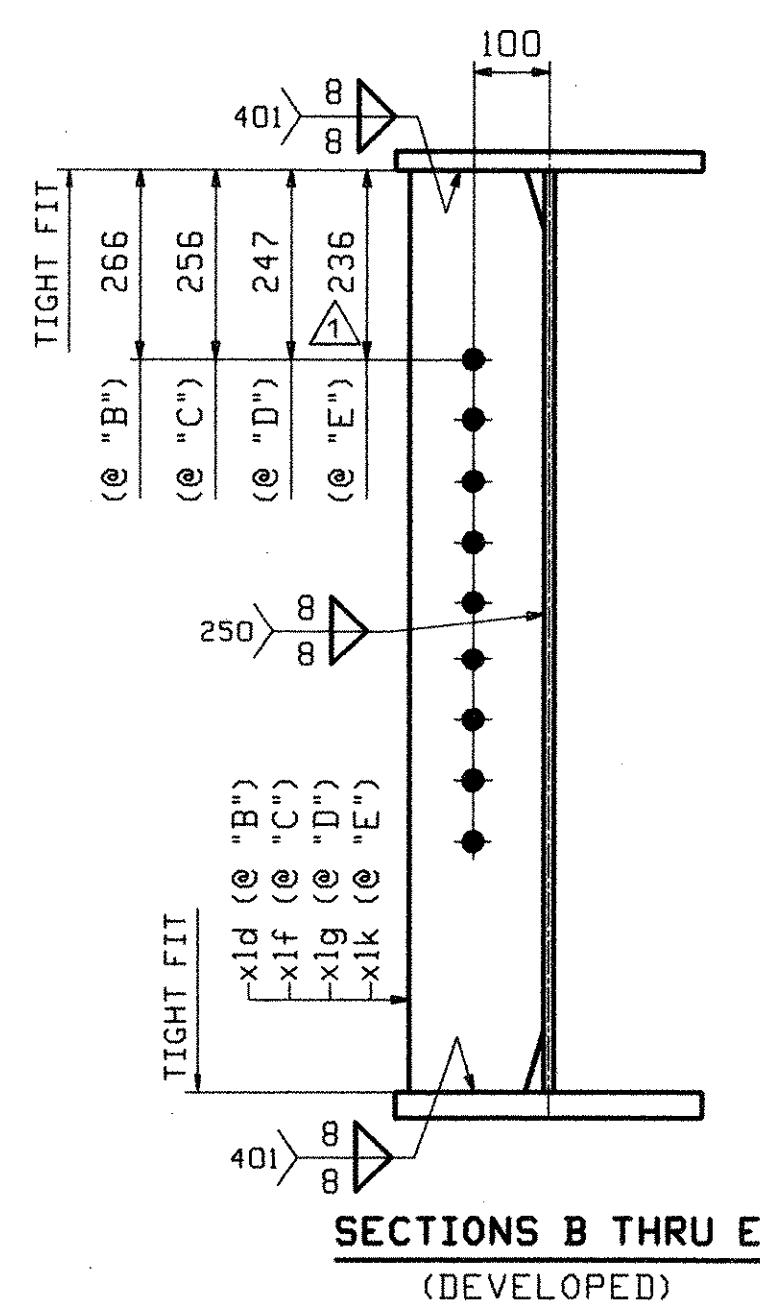
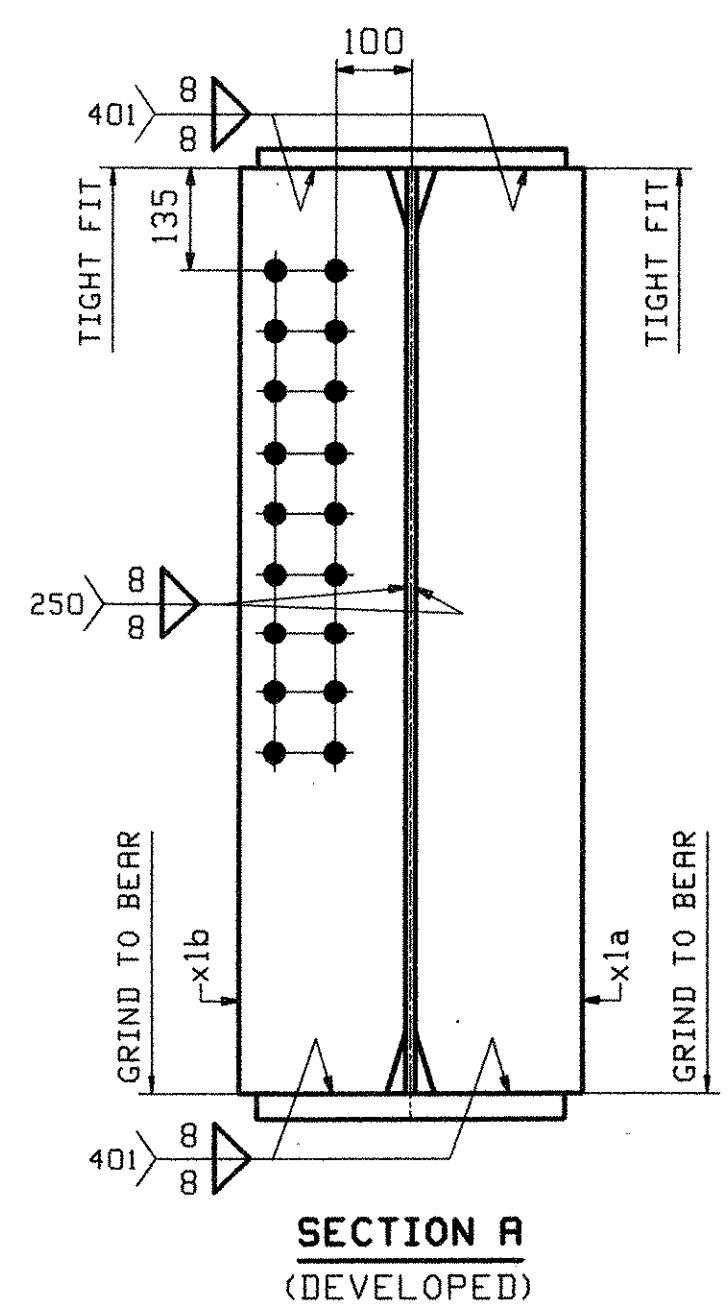
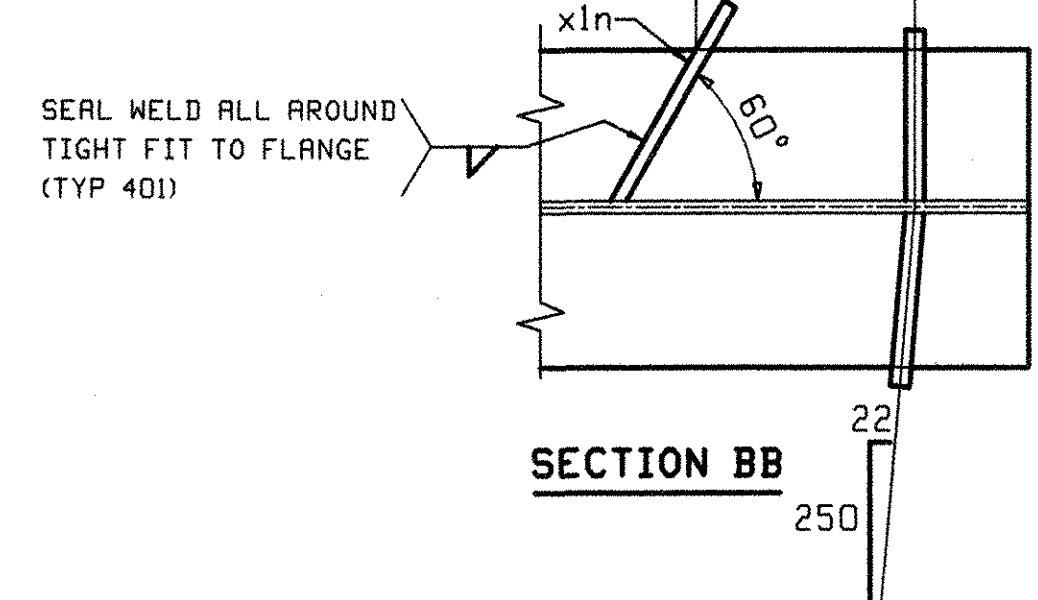
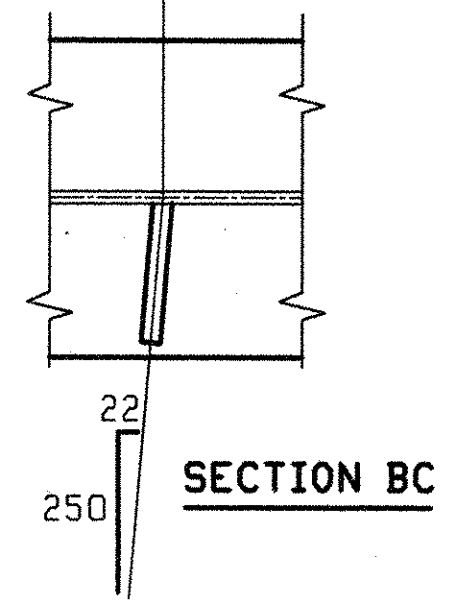
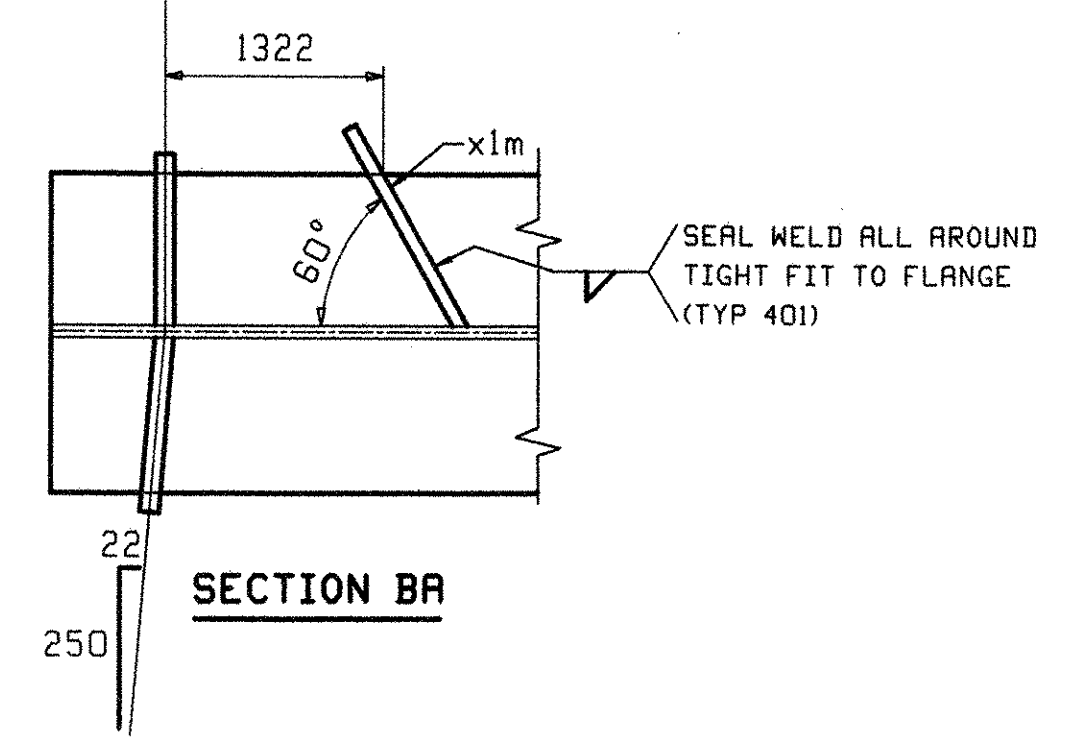


ABM INFO		BILL OF MATERIAL				JOB NO.	DRAWING NO.	REV.	
PAGE	LINE	MARK	QTY	MARK	MATERIAL	LENGTH	REMARKS	WT	PROCUREMENT NOTES
						m			
						mm			
		IG1	1		GIRDER			10981 kg 24209 lb	
1	G		1	wa	PL 13x1220	11 625	(M270M-345HT2)	(H2-3)	
1	E		1	wb	PL 13x1220	22 295	(M270M-345HT2)	(H2-3)	
1	J		1	ta	PL 25x406	22 600			
1	L		1	tb	PL 25x406	11 318			
1	A		1	ba	PL 35x406	22 600	(M270M-345HT2)	(H2-3)	
1	C		1	bb	PL 35x406	11 282	(M270M-345HT2)	(H2-3)	
2	B		2	xia	PL 22x220	1 220		MIE	
2	B		2	xib	PL 22x220	1 220		MIE	
2	C		1	xid	PL 13x178	1 220			
2	C		1	xif	PL 13x178	1 220			
2	C		1	xig	PL 13x178	1 220			
2	C		1	xik	PL 13x178	1 220			
2	D		1	xim	PL 6x85	0 277			
2	D		1	xin	PL 6x85	0 277			



ONE - GIRDER - IG1

FOR GIRDER STANDARD DETAILS SEE DRAWING X1.
 FOR CAMBER DIAGRAM SEE DRAWING C1.
 FOR GENERAL NOTES SEE DRAWING GNI.
 H2-3 DENOTES MATERIAL SUBJECT TO CHARTY V-NOTCH TESTING.



OUT FOR APPROVAL	12-28-05										
OUT FOR APPROVAL	2-27-06										
ISSUED TO SHOP											
FIELD & OFFICE											
APPROVAL COMMENTS	2/21	JTB	ELC								
REV.	REMARKS	DATE	DWN	CHK	APP	Q.A.	NO.	DIA.	LGT	TYPE	WASHER
	MATERIAL:										
	M270M GR 345W									15 16φ (UN)	NONE
SURFACE PREP. & PAINT:											
SEE DRAWING GNI											
DESCRIPTION: GIRDER - IG1										DRAWN BY	DATE
JOB: TH 1 (FAS 160) OVER OTTER CREEK										JTB	11/08
BRIDGE NO. 6										CHKD BY	
TOWN OF LEICESTER, VERMONT										ELC	12/06
COUNTY OF ADDISON										APPROV BY	
CONTRACTOR: BLOW & COTE										SUPERVISOR	W. J. GATTI
PROJ NO. BRF 0160(3)S										Q.A.	
CUSTOMER: VT ROT											
CASCO BAY STEEL STRUCTURES, INC.										JOB NO.	DRG. NO.
75 SPRING HILL ROAD										285	1
PHONE (207) 282-7360										SACO, MAINE 04072	
										FAX. (207) 282-1179	REV. ▲

RECEIVED
 CR'D BY: [Signature] OK'D BY: [Signature]
 MAR 03 2006
 RESUBMIT APPROVED
 BY: [Signature] DATE: 3/6/06