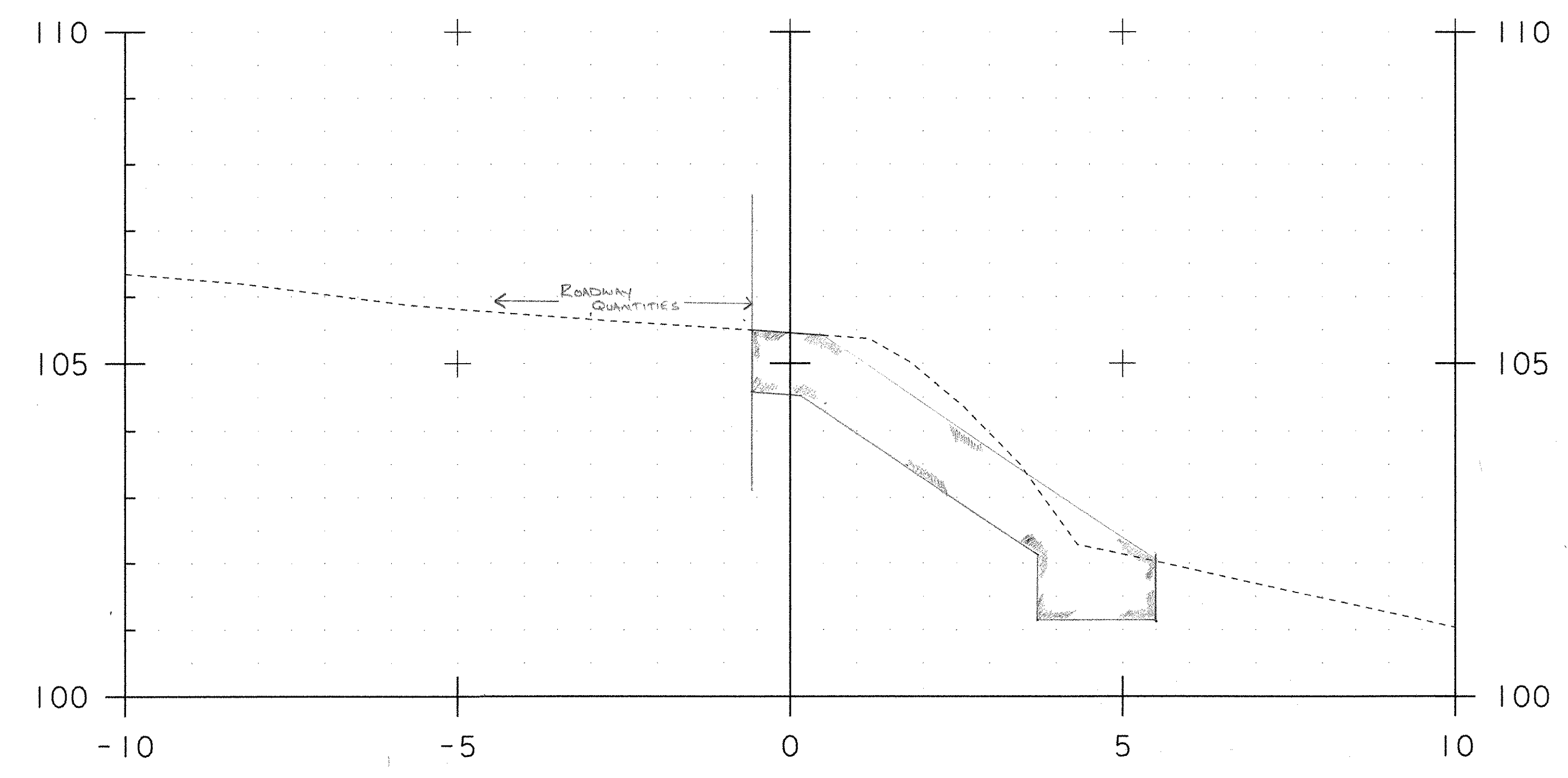


Exc - EIR = 25.64 m²

5+006.00
SAME AS ST005.80

FROM ST005.80 (BUTT) GEO UNDER S.F (BRIDGE) = 7.90 M
" " (BUTT) ONE CHAN C (BRIDGE) = 6.10 M²
* SEE W.O # 10

(QUANTITY FROM 5+005.80) - STONE FILL TYPE III = 7.82 m²



STONE FILL TYPE III = 7.19 m²

5+008.00

PROJECT NAME:	Leicester	PLOT DATE:	01-NOV-2005
PROJECT NUMBER:	BRF 0160(3)S	DRAWN BY:	R. Bullock
FILE NAME:		CHECKED BY:	
PROJECT LEADER:		SHEET 6	OF 8
DESIGNED BY:	109 RAB		