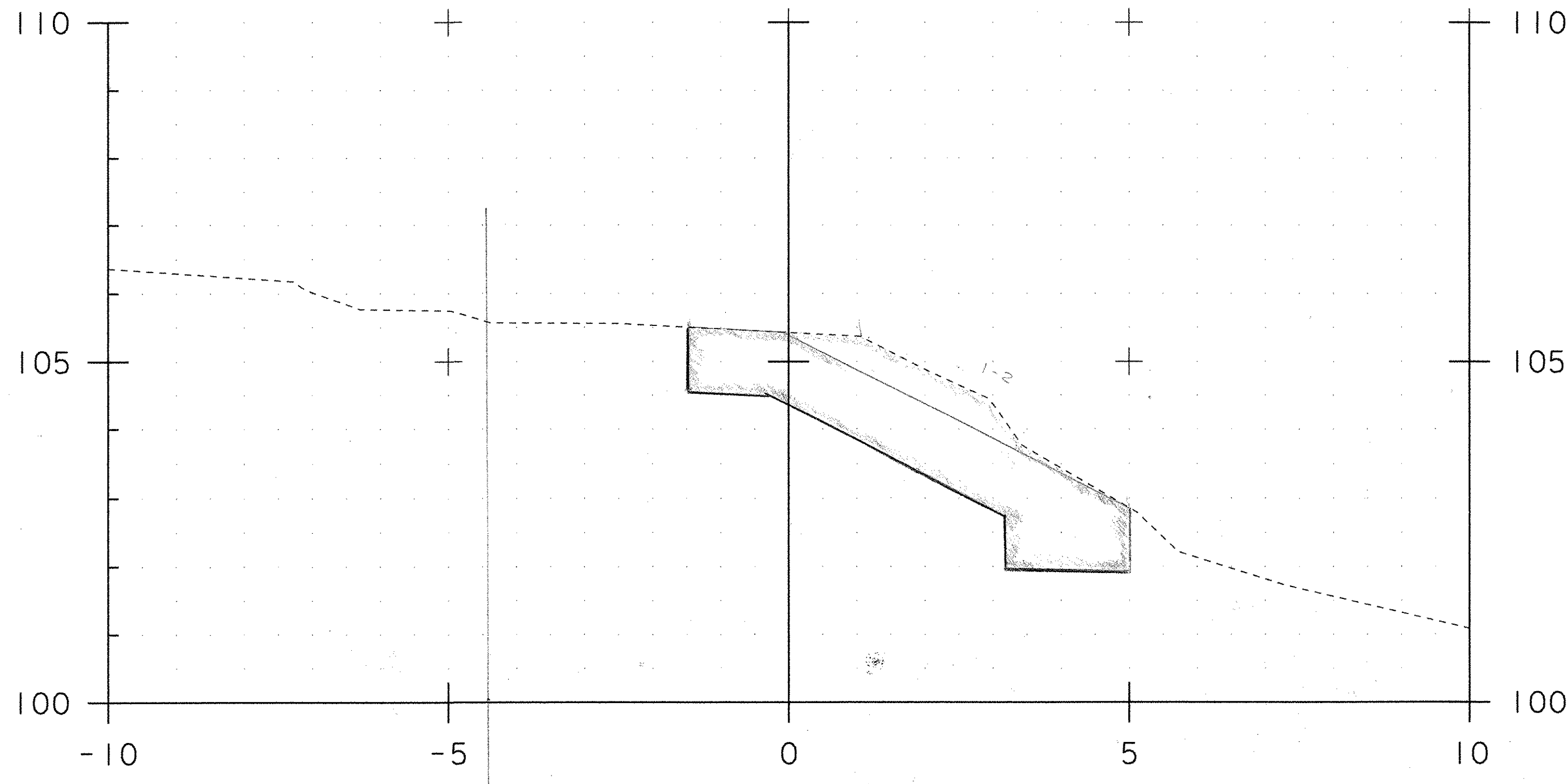


4+990.00

UNCL CHAN EXC - ~~8.40~~ 8.40 m²
 STONE FILL TYPE III - ~~7.25~~ 6.77 m²
 GEO UNDER STONE FILL - 8.1 M

DC
3-5-07



4+992.00

UNCL CHAN EXC - 8.51 m²
 STONE FILL TYPE III - ~~7.27~~ 7.0 m²
 GEO UNDER STONE FILL - 8.5 M

DC
2-27-07

PROJECT NAME:	Leicester	PLOT DATE:	01-NOV-2005
PROJECT NUMBER:	BRF 0160(3)S	DRAWN BY:	R. Bullock
FILE NAME:		CHECKED BY:	
PROJECT LEADER:		SHEET 2	OF 8
DESIGNED BY:	CAZAB1		