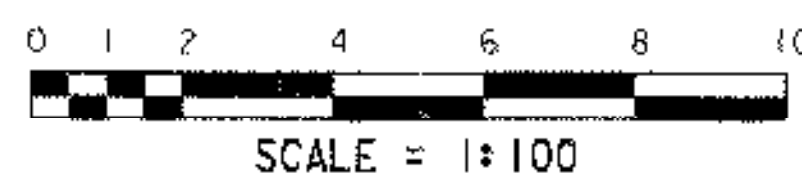
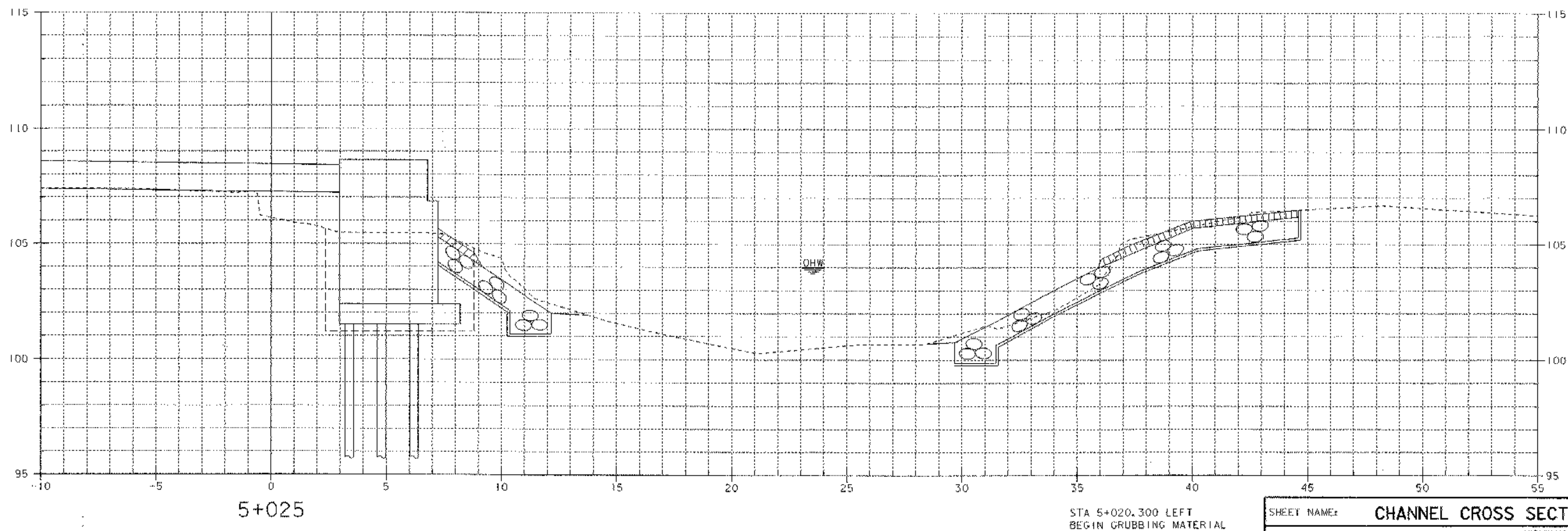
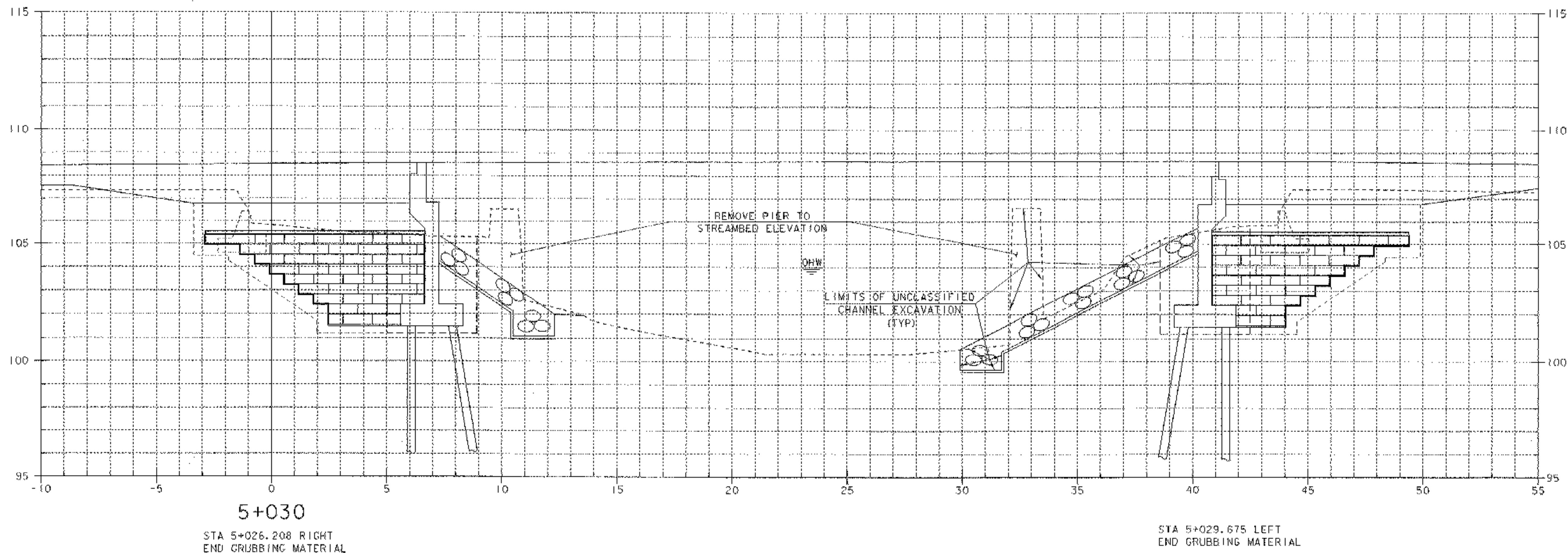


PIERS REMOVED TO NEAR STREAMBED ELEVATION  
& FOOTINGS LEFT IN PLACE AS A STONE FILL "KEY"



SHEET NAME: CHANNEL CROSS SECTIONS	
PROJECT NAME: LEICESTER	HIGHWAY NO.: FAS 0160
PROJECT NUMBER: BRF 0160(3)S	BRIDGE NO.: 6
	OVER: OTTER CREEK
FILE NAME: 95\208\Structures\sl\208xsl.dgn	PLOT DATE: 17-AUG-2005
PROJECT MANAGER: R. R. WHITCOMB	DRAWN BY: J. GILMORE
DESIGNED BY: C. CARLSON	IPARM NAME: s\088cx4.1
	SHEET 85 OF 90