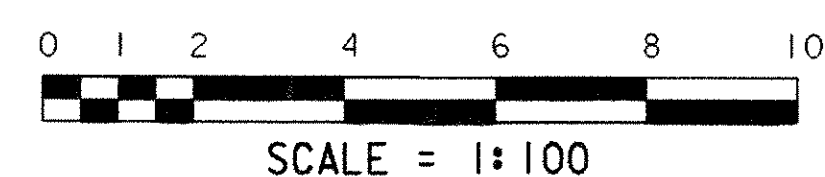
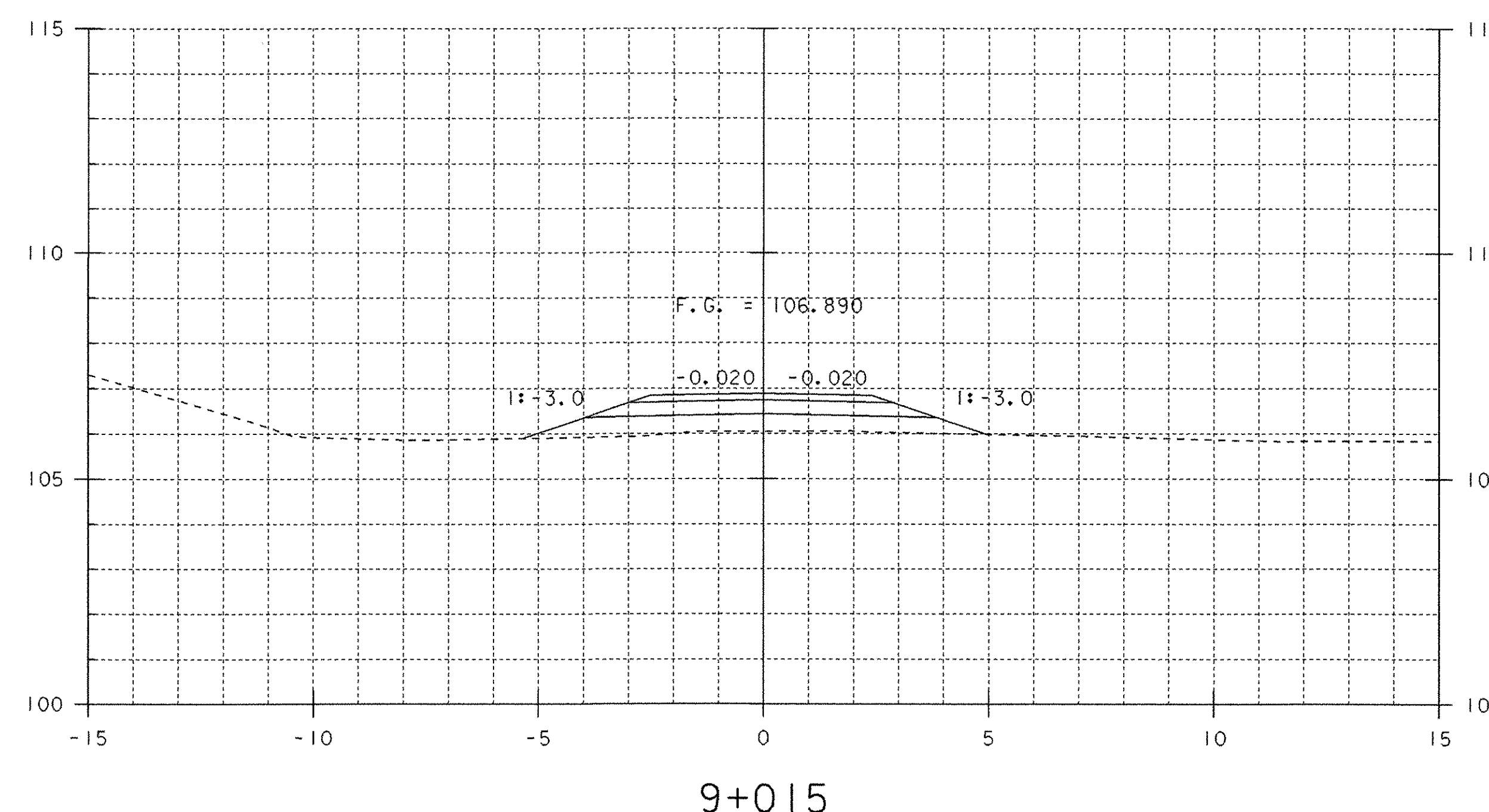
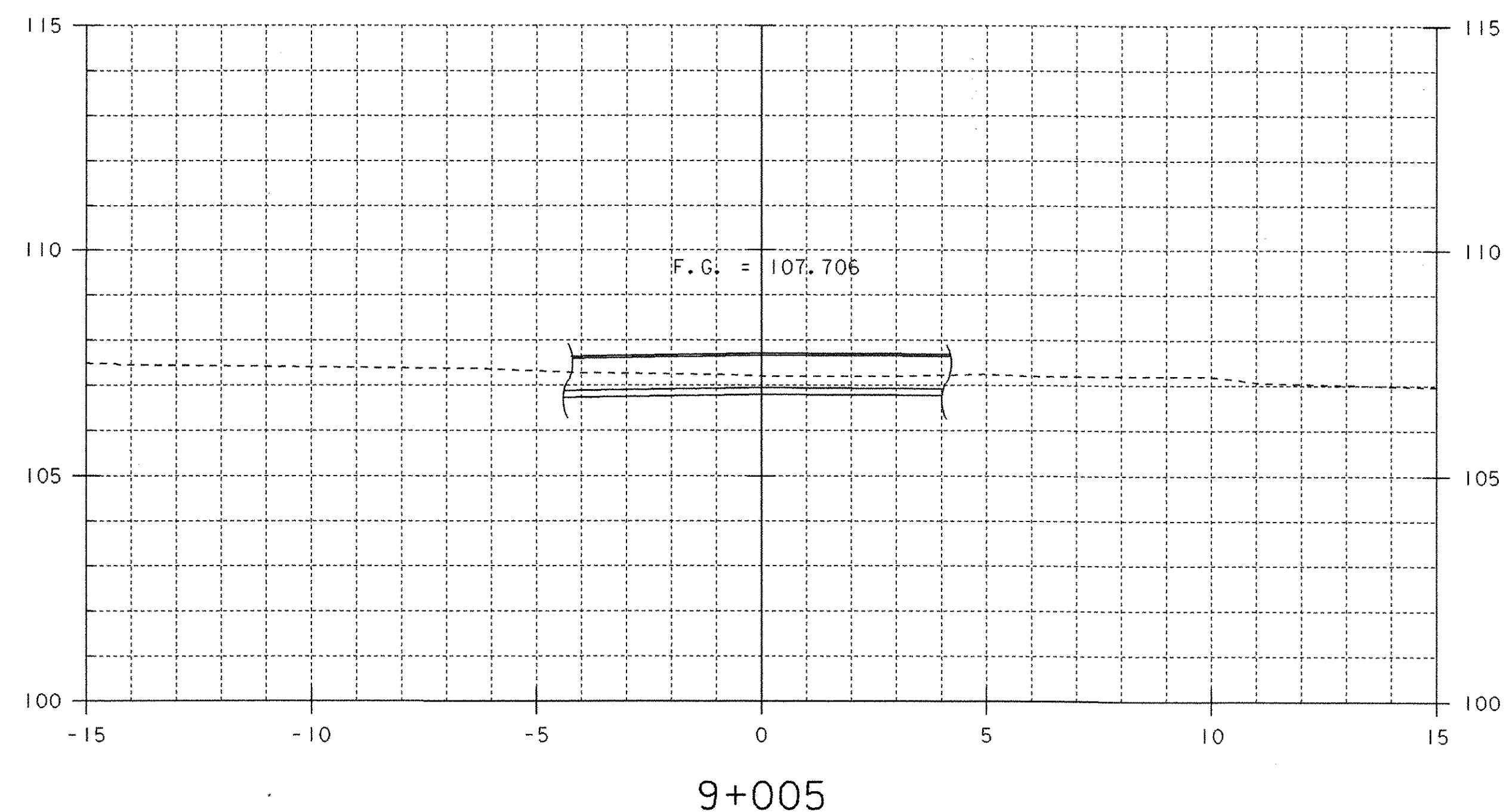
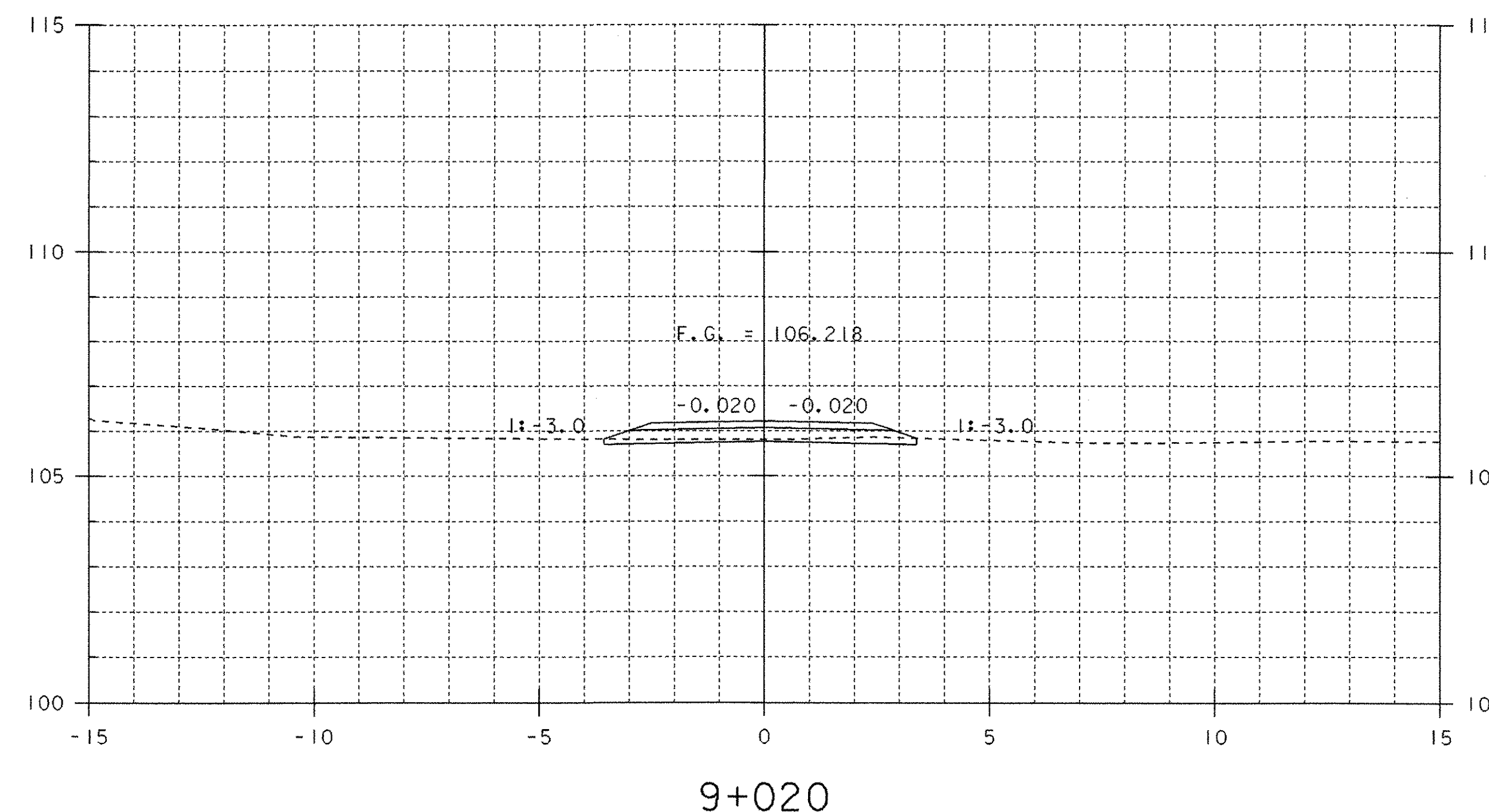
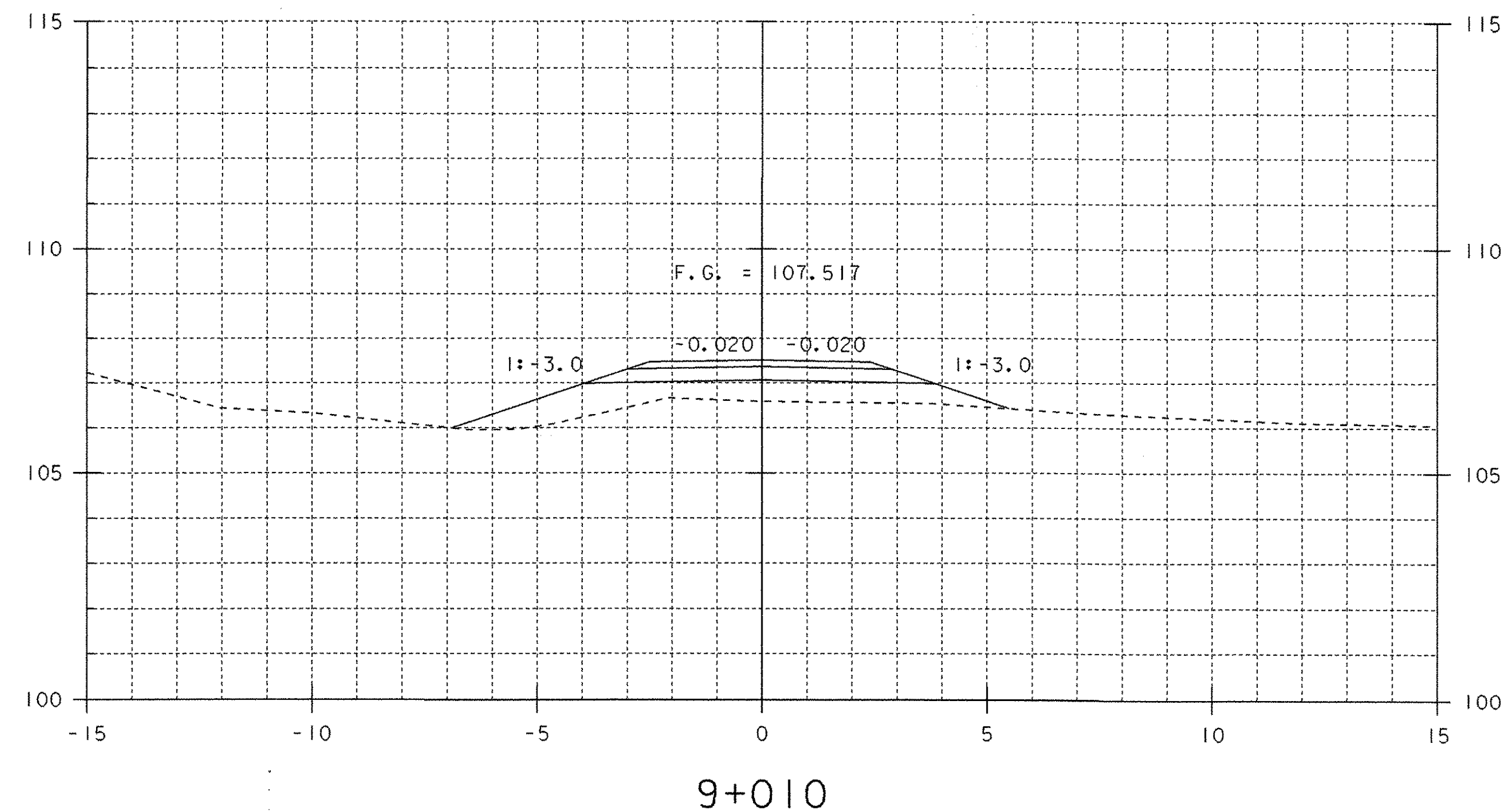


**DRIVE TYPICAL**  
N. T. S.

STA 9+023.500  
END FIELD DRIVE  
MATCH EXISTING



SHEET NAME: <b>FIELD DRIVE CROSS SECTIONS</b>	
PROJECT NAME: <b>LEICESTER</b>	HIGHWAY NO.: FAS 0160
PROJECT NUMBER: <b>BRF 0160(3)S</b>	BRIDGE NO.: 6
	OVER: OTTER CREEK
FILE NAME: 95j288\Structures\sj288xsl.dgn	PLOT DATE: 17-AUG-2005
PROJECT MANAGER: R. R. WHITCOMB	DRAWN BY: J. GILMORE
DESIGNED BY: C. CARLSON	IPARM NAME: sj088fd4.1
	SHEET 83 OF 90