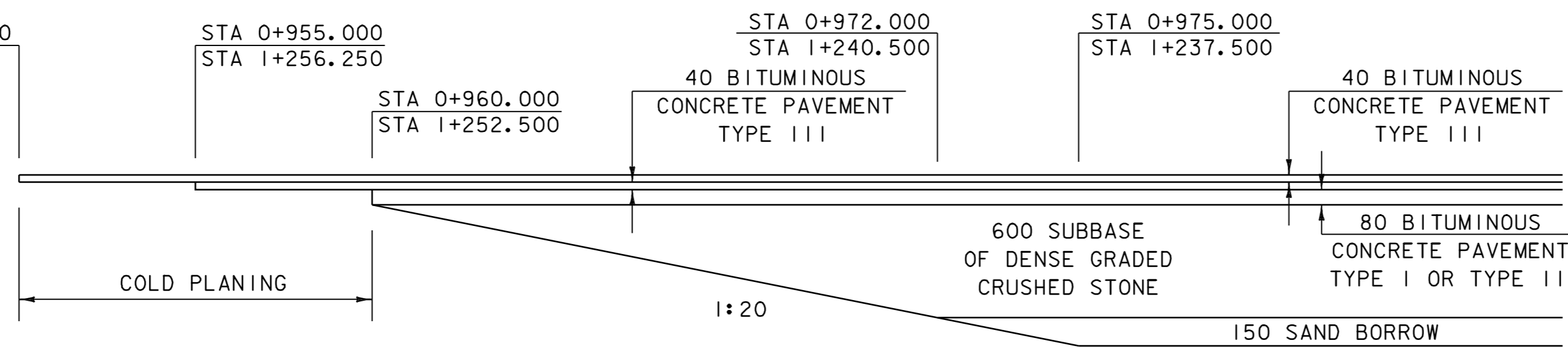


BEGIN APPROACH STA 0+950
END APPROACH STA 1+260

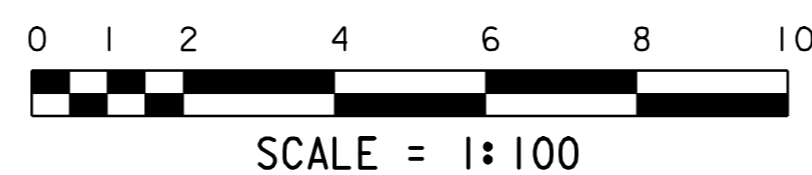
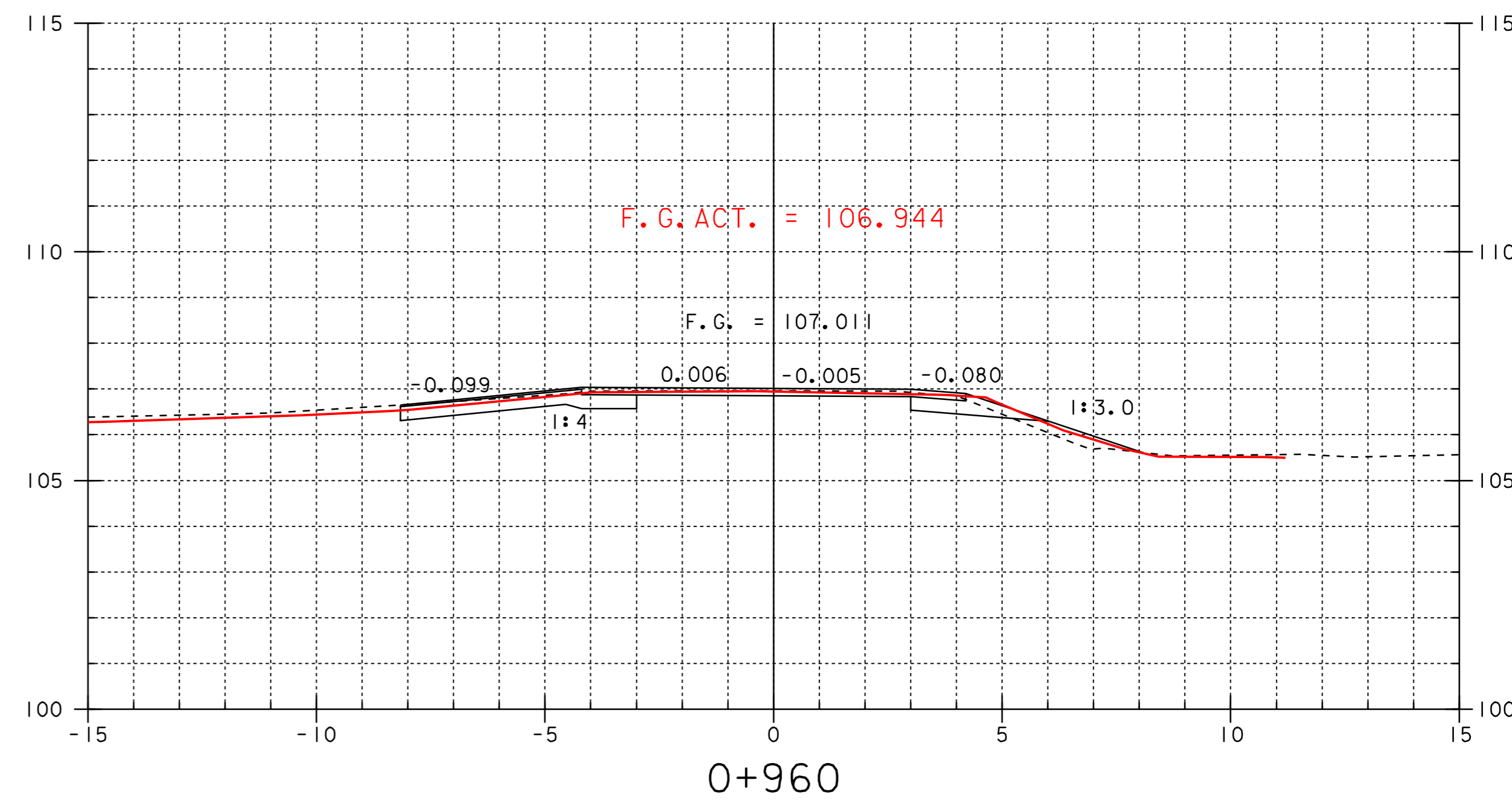
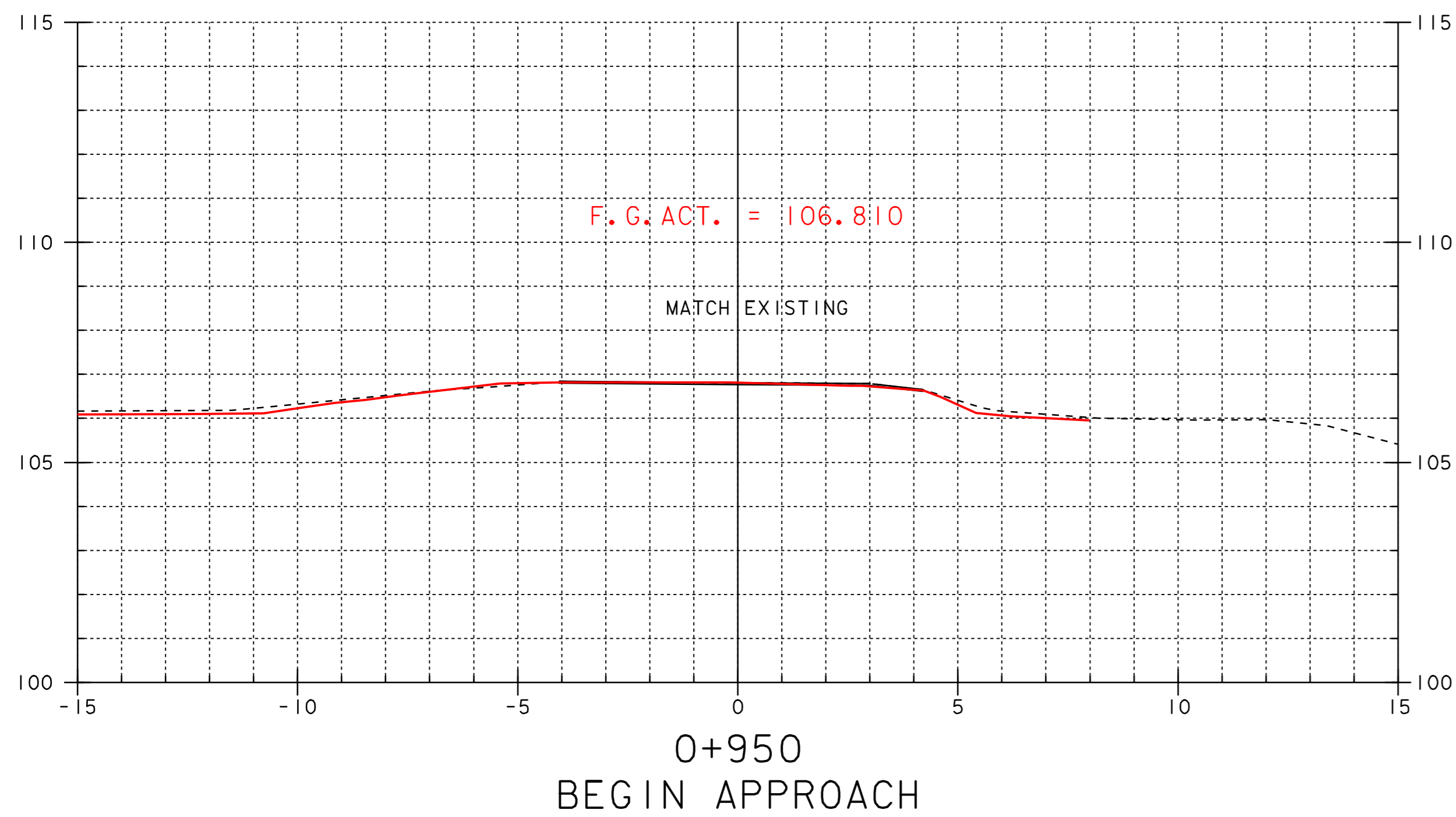
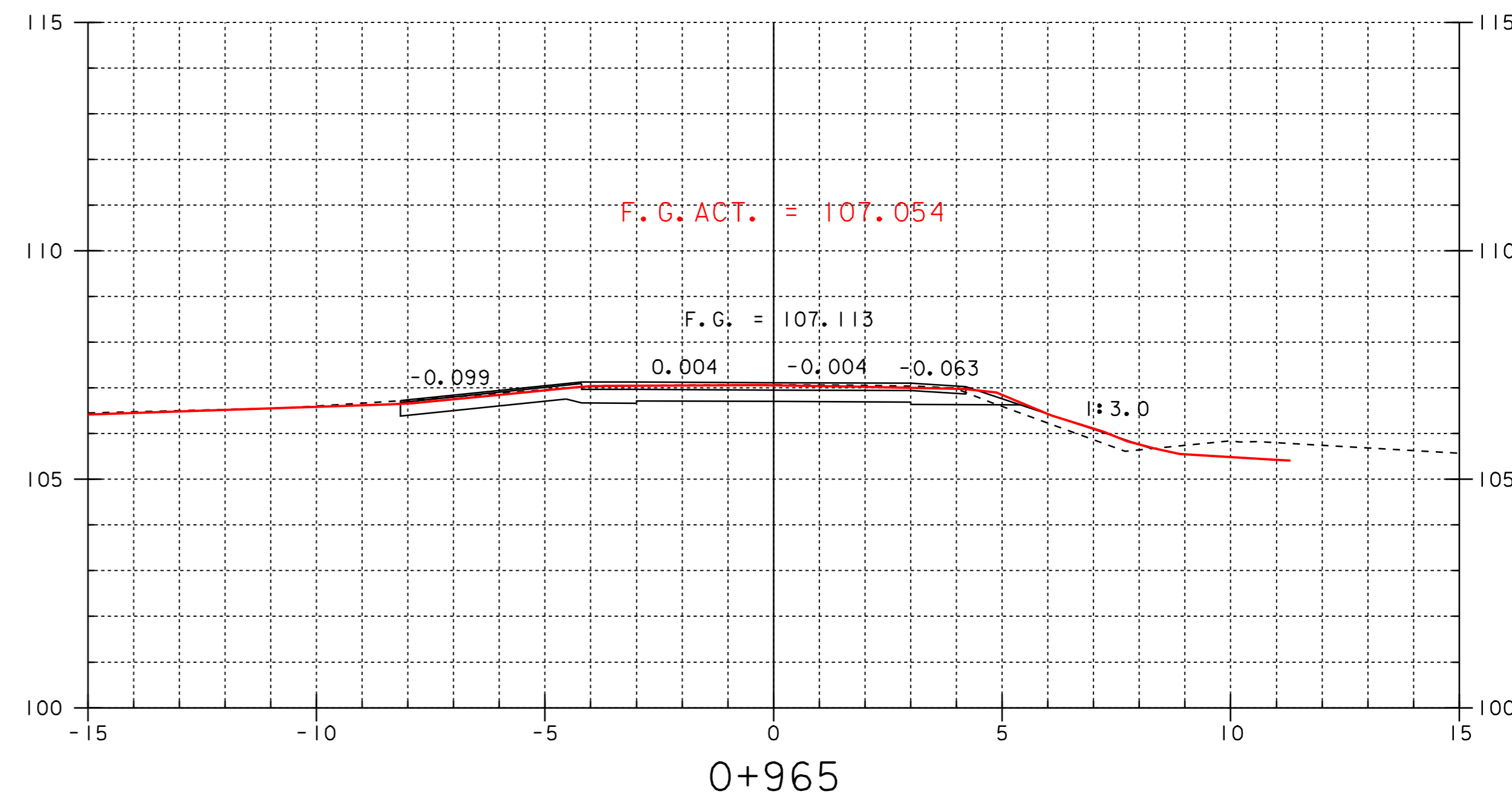
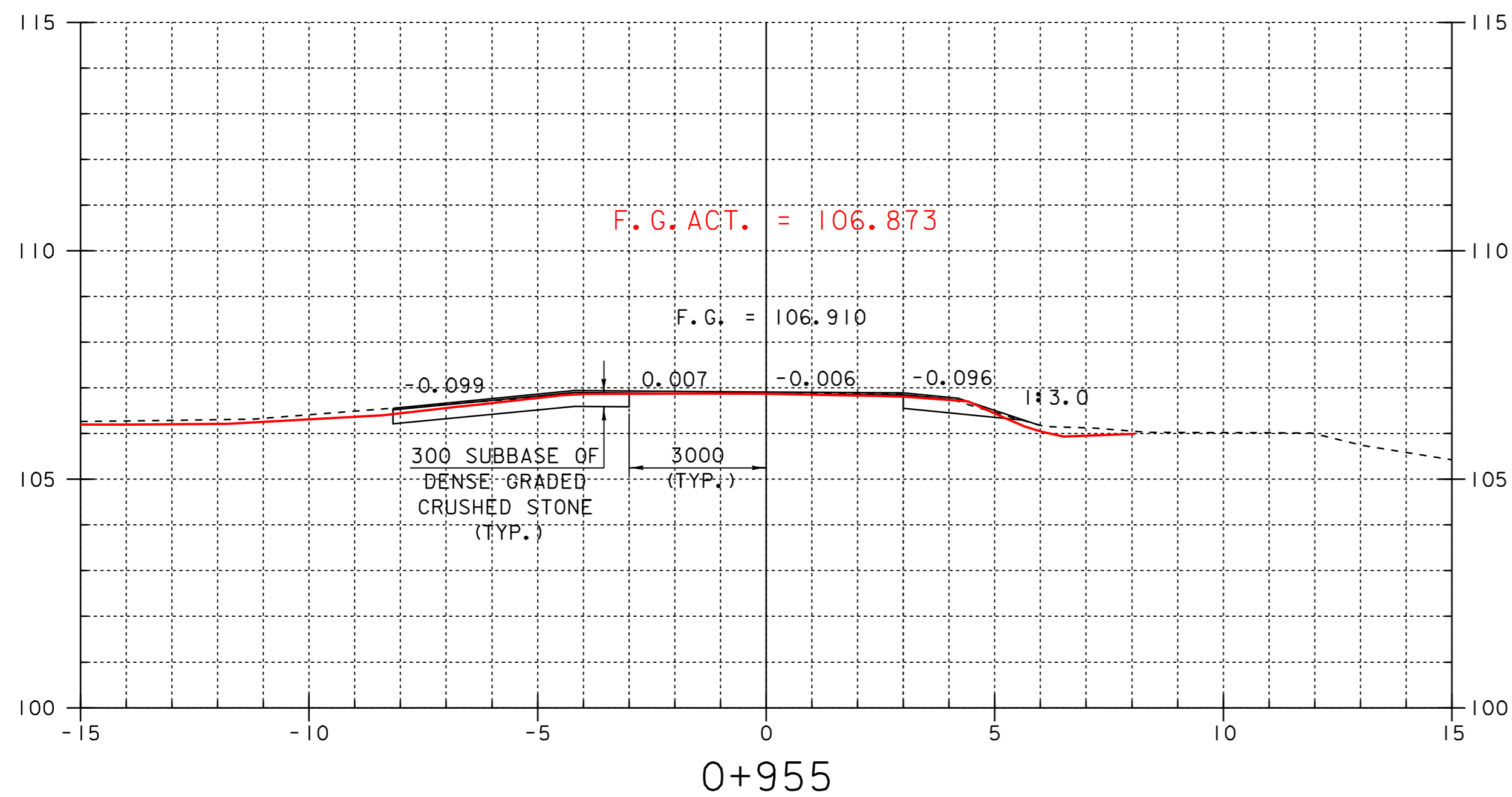
STA 0+955.000
STA 1+256.250

STA 0+972.000
STA 1+240.500

STA 0+975.000
STA 1+237.500



SUBBASE TRANSITION DIAGRAM
N. T. S.



SHEET NAME: <u>MAINLINE CROSS SECTIONS</u>		
PROJECT NAME: <u>LEICESTER</u>	HIGHWAY NO.: <u>EAS_0160</u>	
PROJECT NUMBER: <u>BRE_0160(3)S</u>	BRIDGE NO.: <u>6</u>	OVER: <u>QUIER CREEK</u>
FILE NAME: <u>95J288\Structures\sj288xsl.dgn</u>	PLOT DATE: <u>02-OCT-2008 11:00</u>	
PROJECT MANAGER: <u>B.B. WHITCOMB</u>	DRAWN BY: <u>J. GILMORE</u>	
DESIGNED BY: <u>C. CARLSON</u>	IPARM NAME: <u>sj088.drl</u>	
	SHEET <u>68</u> OF <u>90</u>	