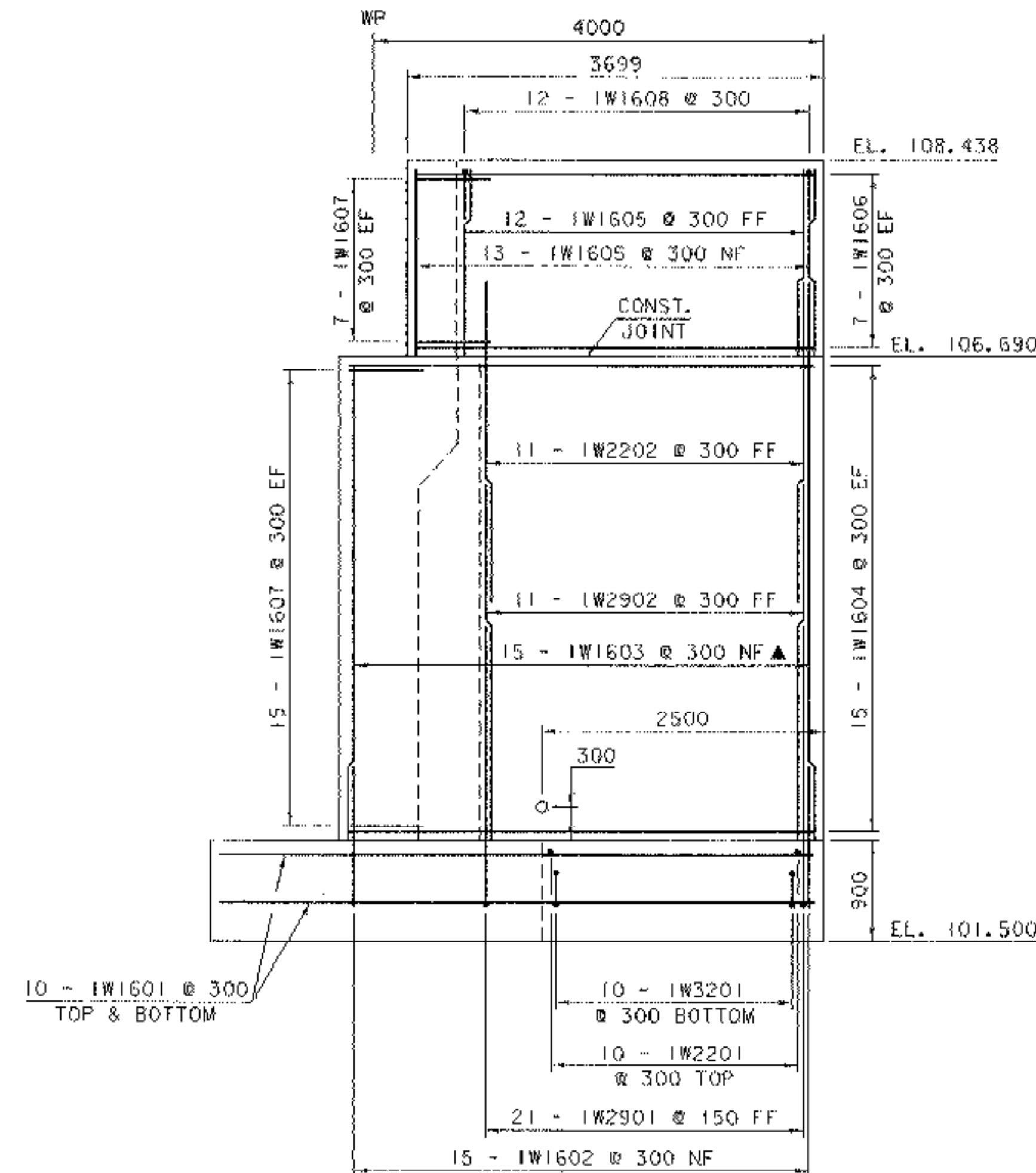
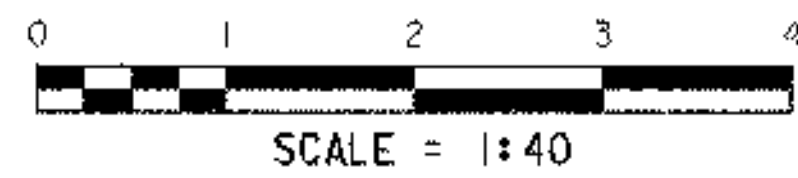
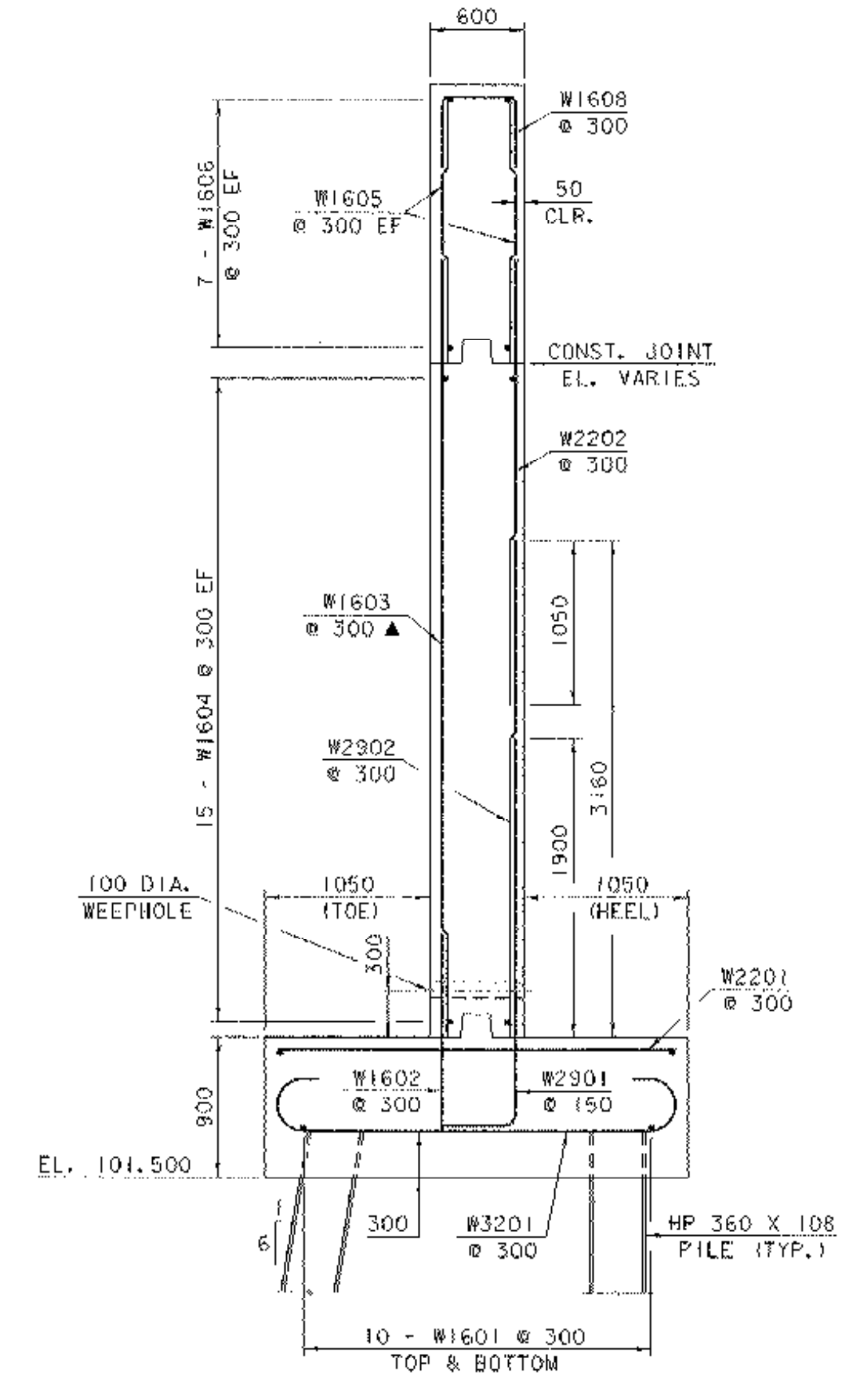
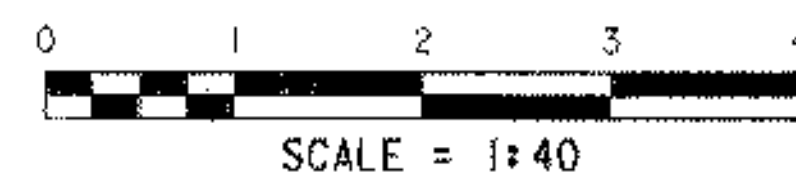


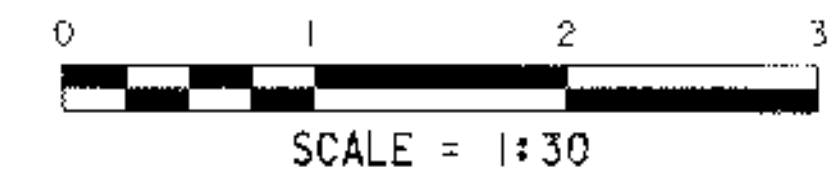
WINGWALL NO. 2 ELEVATION



WINGWALL NO. 1 ELEVATION



WINGWALL TYPICAL



NOTE:

- NF = NEAR FACE
- FF = FAR FACE
- EF = EACH FACE
- ▲ = CUT TO FIT IN FIELD
- 80 CLR. UNLESS OTHERWISE NOTED
- 660 BAR LAP UNLESS OTHERWISE NOTED

SHEET NAME: WINGWALLS NO. 1 & 2 ELEVATIONS	
PROJECT NAME: LEICESTER	HIGHWAY NO.: TH 1
PROJECT NUMBER: BRF 0160(3)S	BRIDGE NO.: 6
	OVER: OTTER CREEK
FILE NAME: 951288\Structures\sj288sub.dgn	PLOT DATE: 17-AUG-2005
PROJECT MANAGER: R. R. WHITCOMB	DRAWN BY: G. ROY
DESIGNED BY: C. CARLSON	PARAM NAME: sj288wwl1
BRIDGE SHEET NUMBER:	SHEET 61 OF 90