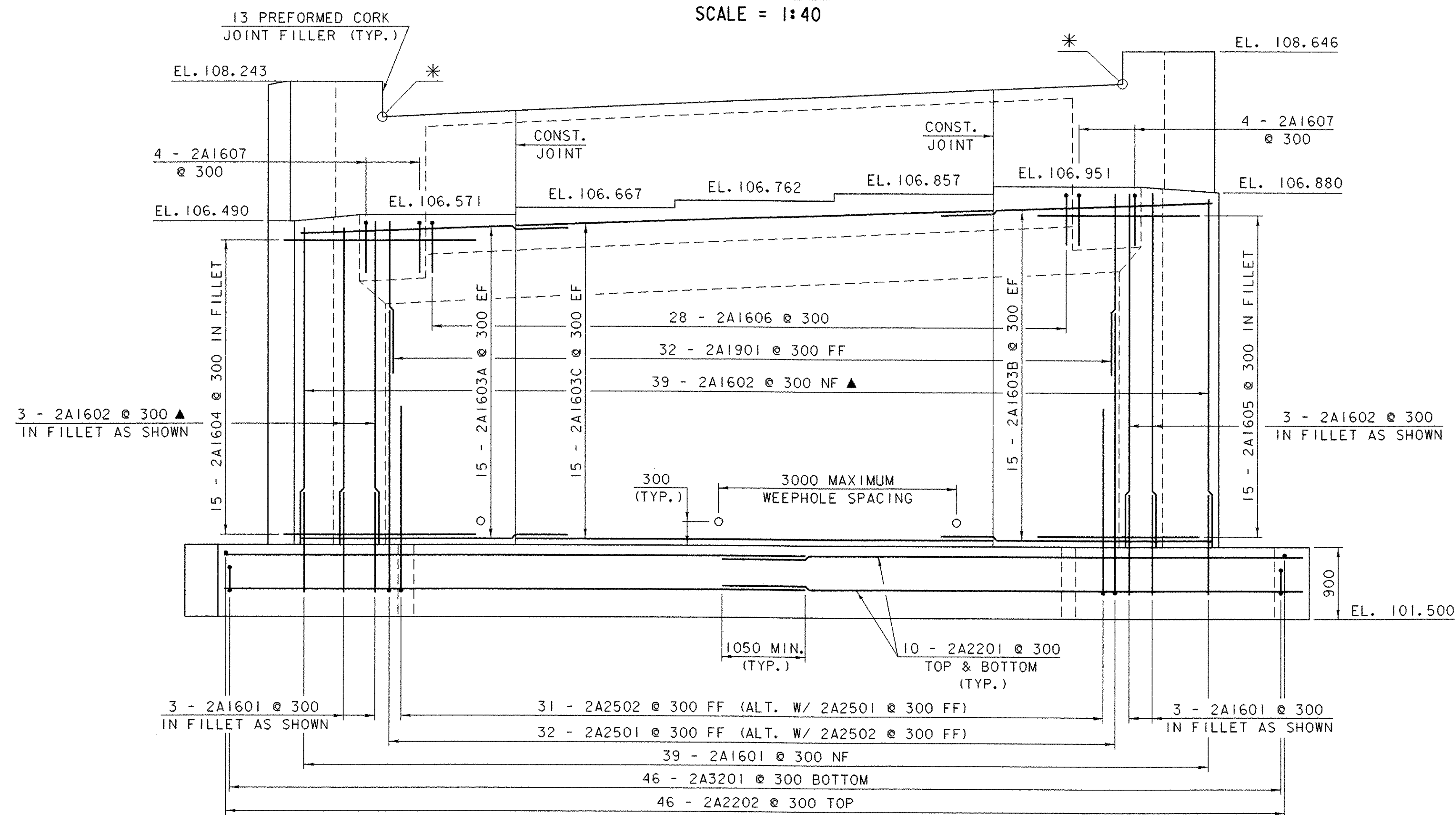
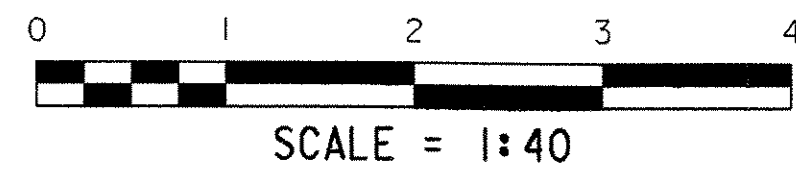
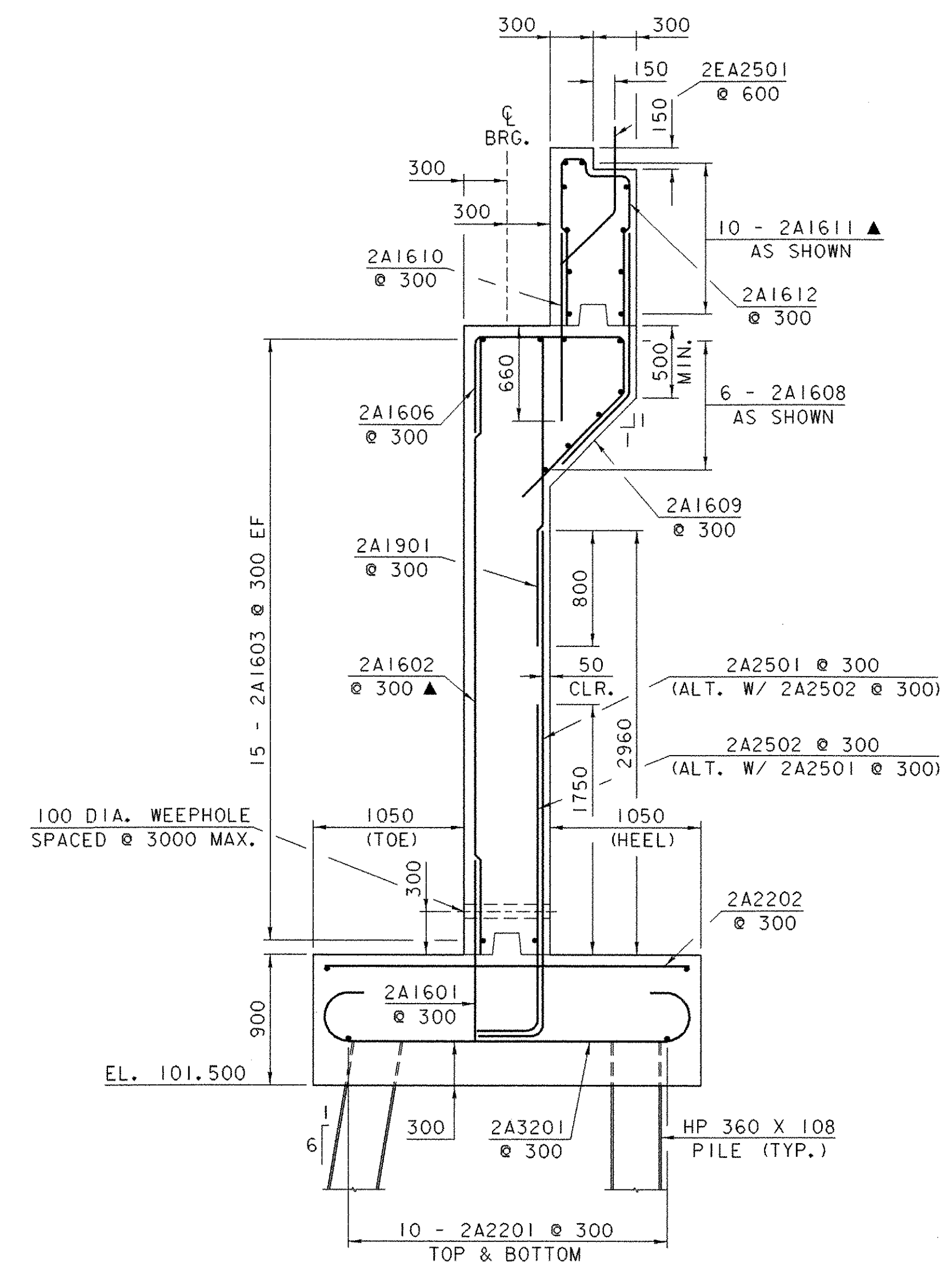
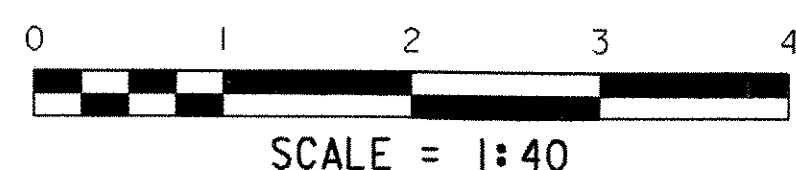


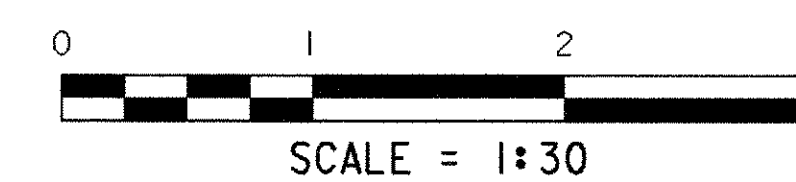
**ABUTMENT NO. 2 PLAN**



**ABUTMENT NO. 2 ELEVATION**



**ABUTMENT NO. 2 TYPICAL**



\* ELEVATIONS AT BACKFACE OF BACKWALL TO BE DETERMINED IN THE FIELD AFTER STRUCTURAL STEEL IS SET.

**NOTE:**  
 NF = NEAR FACE  
 FF = FAR FACE  
 EF = EACH FACE  
 ▲ = CUT TO FIT IN FIELD  
 80 CLR. UNLESS OTHERWISE NOTED  
 660 BAR LAP UNLESS OTHERWISE NOTED

<b>SHEET NAME: ABUTMENT NO. 2 DETAILS</b>	
PROJECT NAME: LEICESTER	HIGHWAY NO.: TH 1
PROJECT NUMBER: BRF 0160(3)S	BRIDGE NO.: 6
	OVER: OTTER CREEK
FILE NAME: 95J288\Structures\sj288sub.dgn	PLOT DATE: 17-AUG-2005
PROJECT MANAGER: R. R. WHITCOMB	DRAWN BY: G. ROY
DESIGNED BY: C. CARLSON	IPARM NAME: sj288ab2.1
BRIDGE SHEET NUMBER:	SHEET 59 OF 90