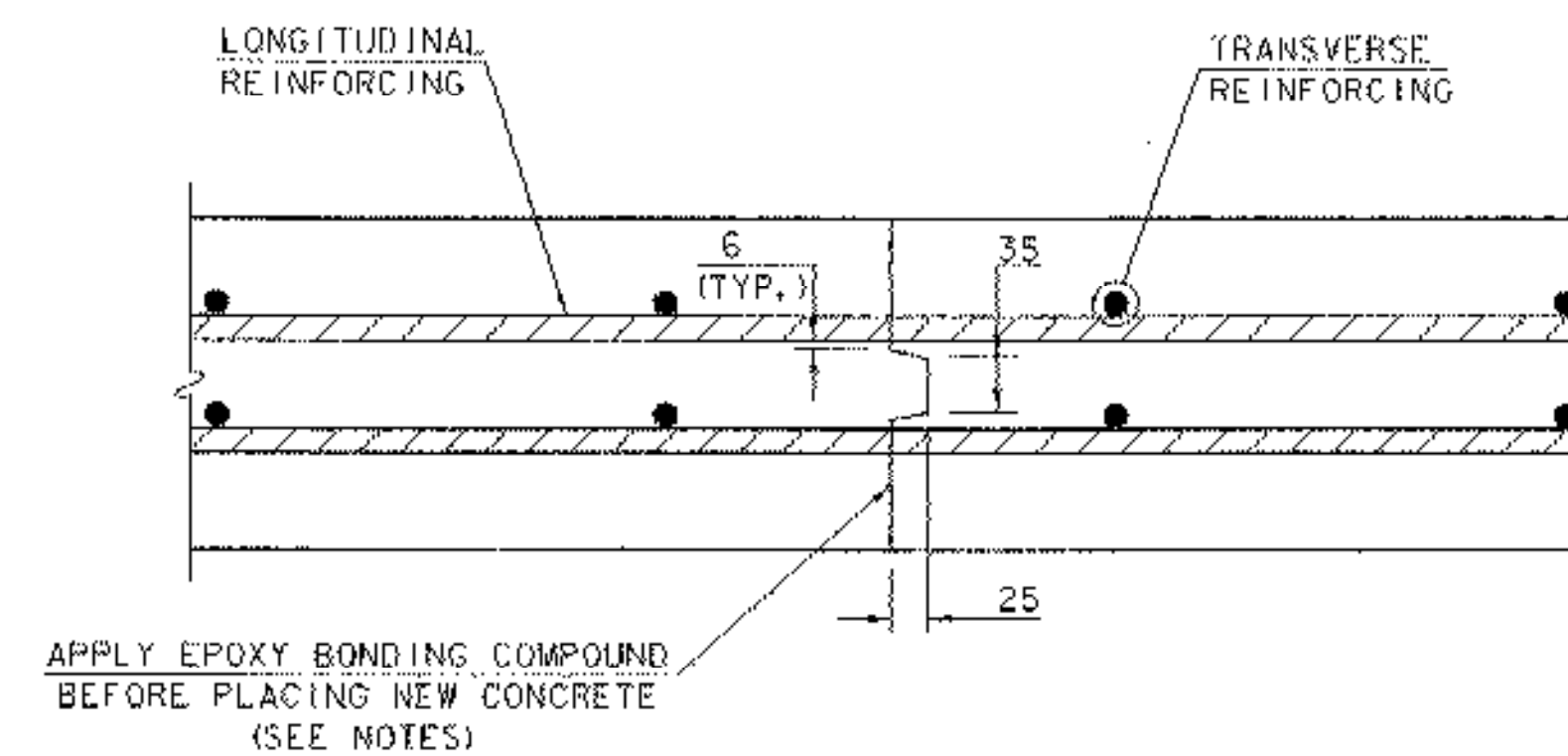


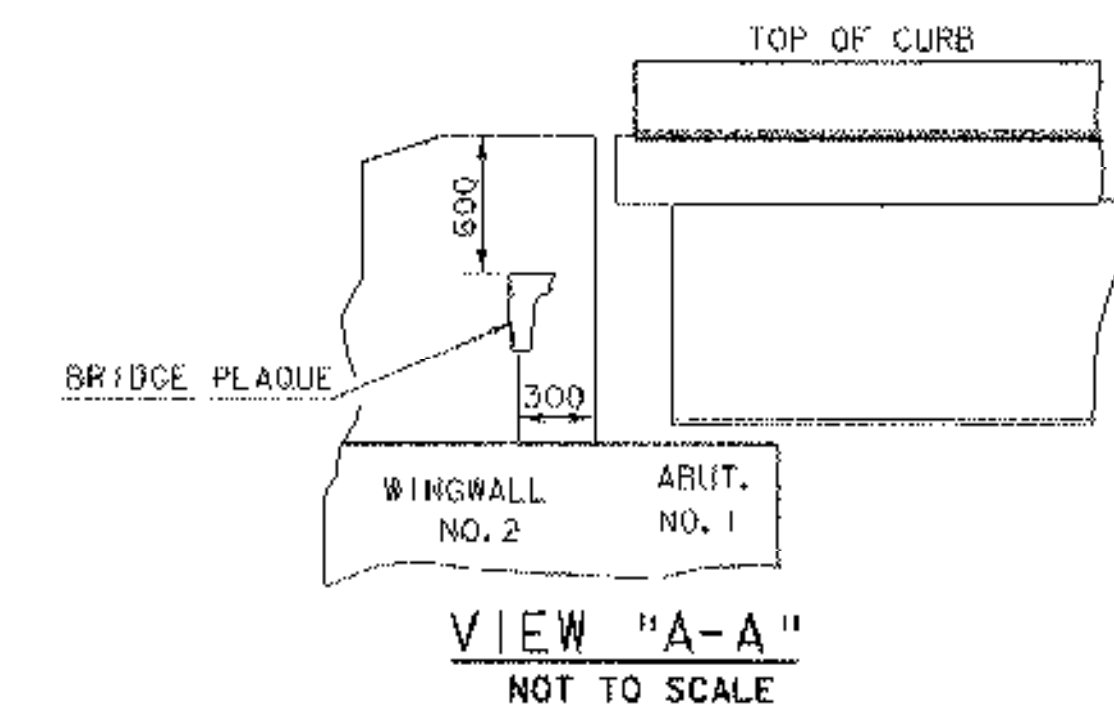
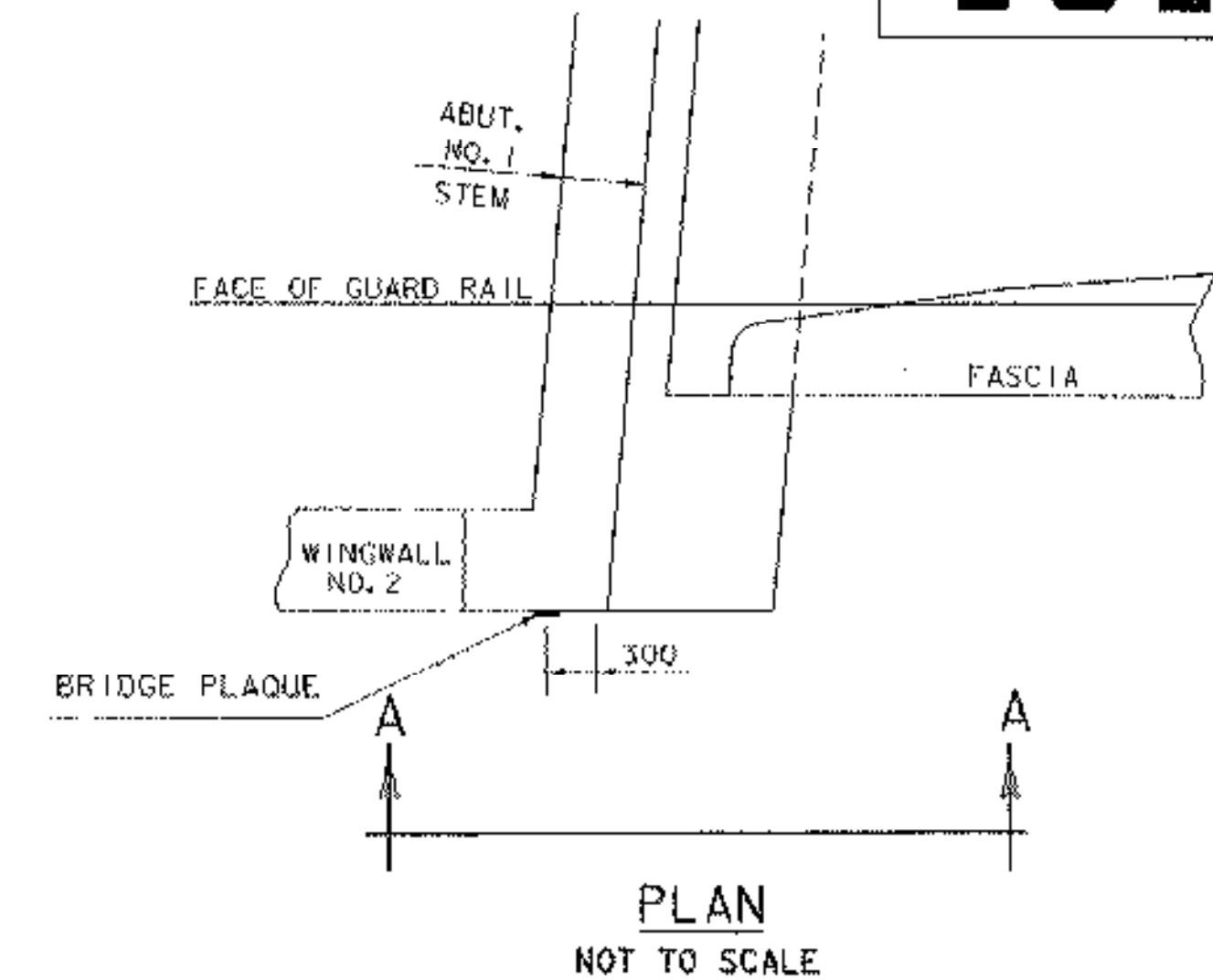
TYPICAL 600 CURB SECTION

P.V.C. WATERSTOP FOR CONSTRUCTION JOINTS

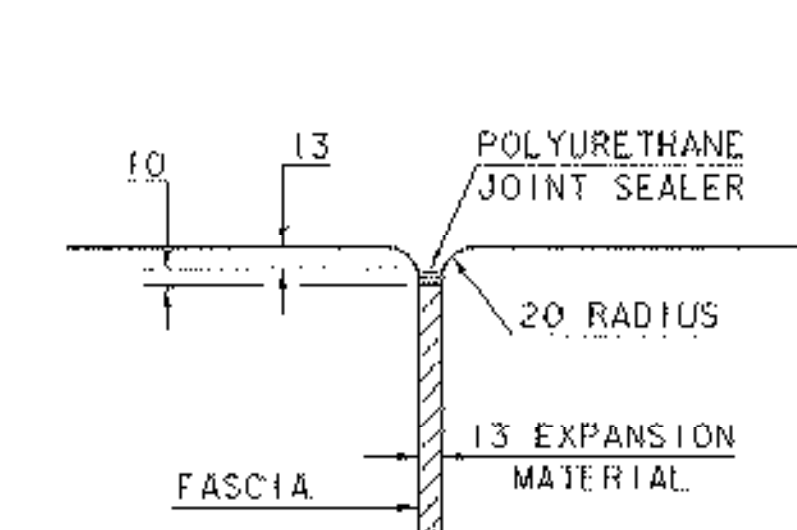
THE COST FOR P.V.C. WATERSTOP SHALL BE INCLUDED IN THE UNIT PRICE BID FOR THE CONCRETE. OTHER CONFIGURATIONS MAY BE USED UPON APPROVAL OF THE STRUCTURES ENGINEER.



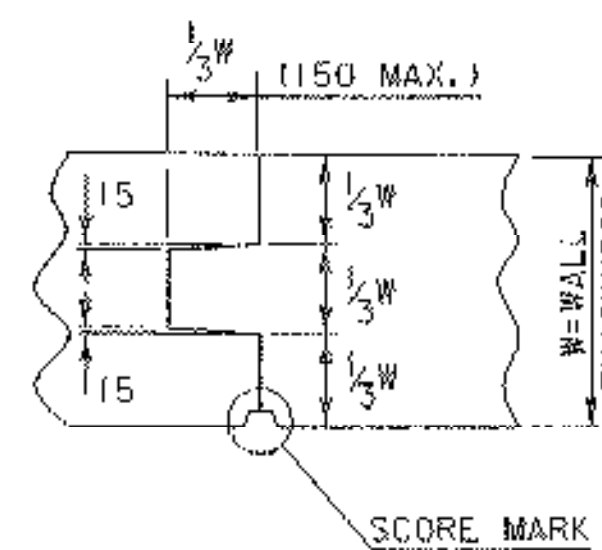
TRANSVERSE BRIDGE DECK CONSTRUCTION JOINT DETAILS



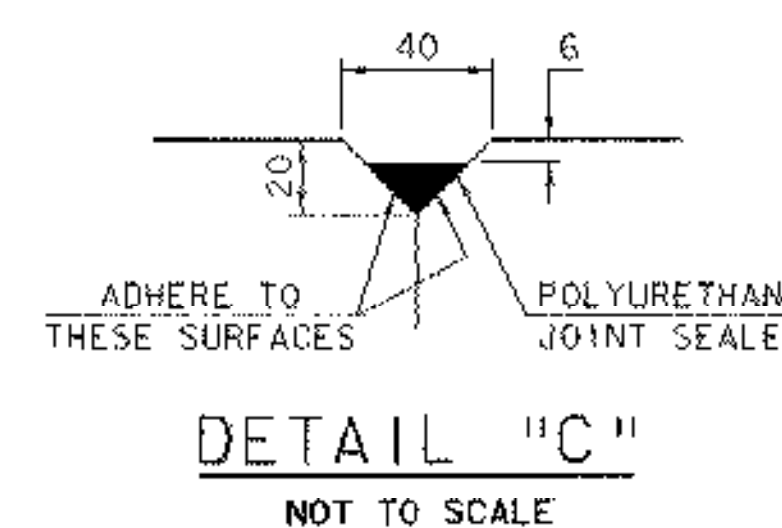
LOCATE BRIDGE PLAQUE
THE BRIDGE PLAQUE WILL BE SUPPLIED BY THE AGENCY OF TRANSPORTATION AND SHALL BE INSTALLED BY THE CONTRACTOR AS SHOWN OR AS DIRECTED BY THE ENGINEER.



JOINT BETWEEN FASCIA AND WINGWALL
NOT TO SCALE

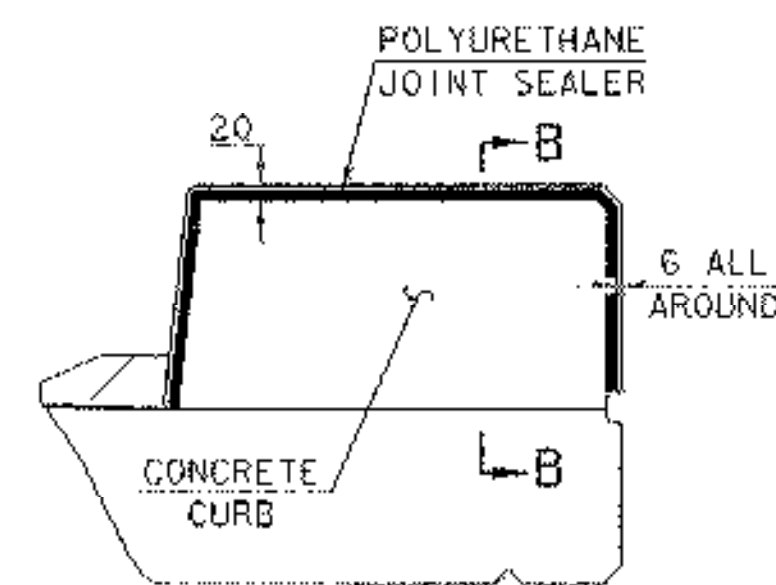


TYPICAL CONCRETE CONSTRUCTION JOINT
NOT TO SCALE

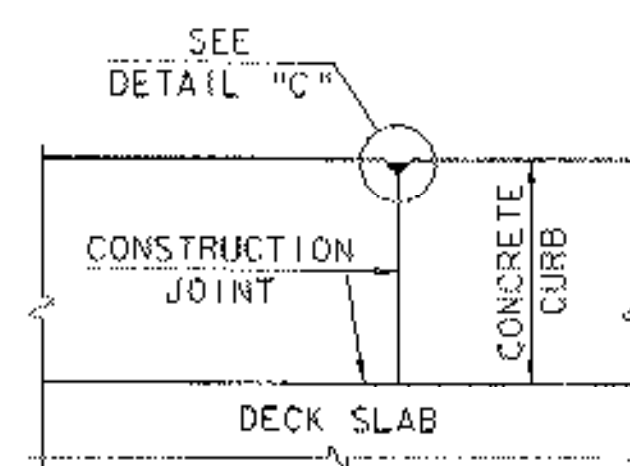


NOTES

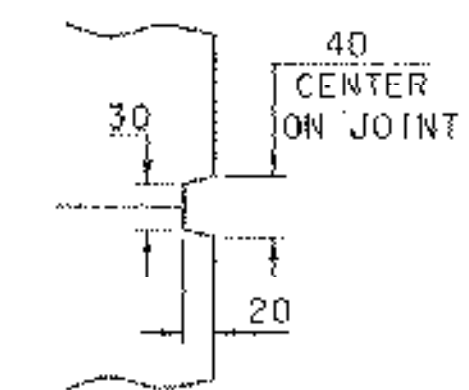
- TORCH APPLIED MEMBRANE SHALL EXTEND TO FACE OF CURB.
- CONSTRUCTION JOINTS THROUGH CONCRETE CURBS SHALL BE SPACED A MAXIMUM OF 4500 CENTER TO CENTER AND SHALL BE 550 MINIMUM FROM THE CENTER OF THE NEAREST BRIDGE RAIL POST. CONCRETE SHALL BE PLACED IN ALTERNATE SECTIONS WITH A MINIMUM OF 48 HOURS DELAY BETWEEN ADJACENT POORS.
- LONGITUDINAL REINFORCING SHALL PASS THROUGH CONCRETE CONSTRUCTION JOINTS. CURB REINFORCING STIRRUP BARS SHALL BE TURNED AS REQUIRED TO FIT FLARED ENDS.
- MATERIAL AND APPLICATION FOR POLYURETHANE JOINT SEALER SHALL MEET THE REQUIREMENTS OF SUBSECTIONS 707.05 AND 524.06 (d) OF THE STANDARD SPECIFICATIONS. PAYMENT SHALL BE MADE INCIDENTAL TO ITEM 501.33, "CONCRETE, HIGH PERFORMANCE CLASS A".
- EPOXY BONDING COMPOUND SHALL BE PAID INCIDENTAL TO ITEM 501.33, "CONCRETE, HIGH PERFORMANCE CLASS A".



TYPICAL SECTION THROUGH CONCRETE CURB CONSTRUCTION JOINT
NOT TO SCALE



SECTION B-B
NOT TO SCALE



SCORE MARK DETAIL

SHEET NAME: CURB DETAILS	
PROJECT NAME: LEICESTER	HIGHWAY NO.: TH 1
PROJECT NUMBER: BRF 0160(3)S	BRIDGE NO.: 6
	OVER: OTTER CREEK
FILE NAME: 95J288\Structures\sj288sup.dgn	PLOT DATE: 17-AUG-2005
PROJECT MANAGER: R. R. WHITCOMB	DRAWN BY: T. FILLBACH
DESIGNED BY: C. CARLSON	SPARM NAME: sj288crb.f
BRIDGE SHEET NUMBER:	SHEET 51 OF 90