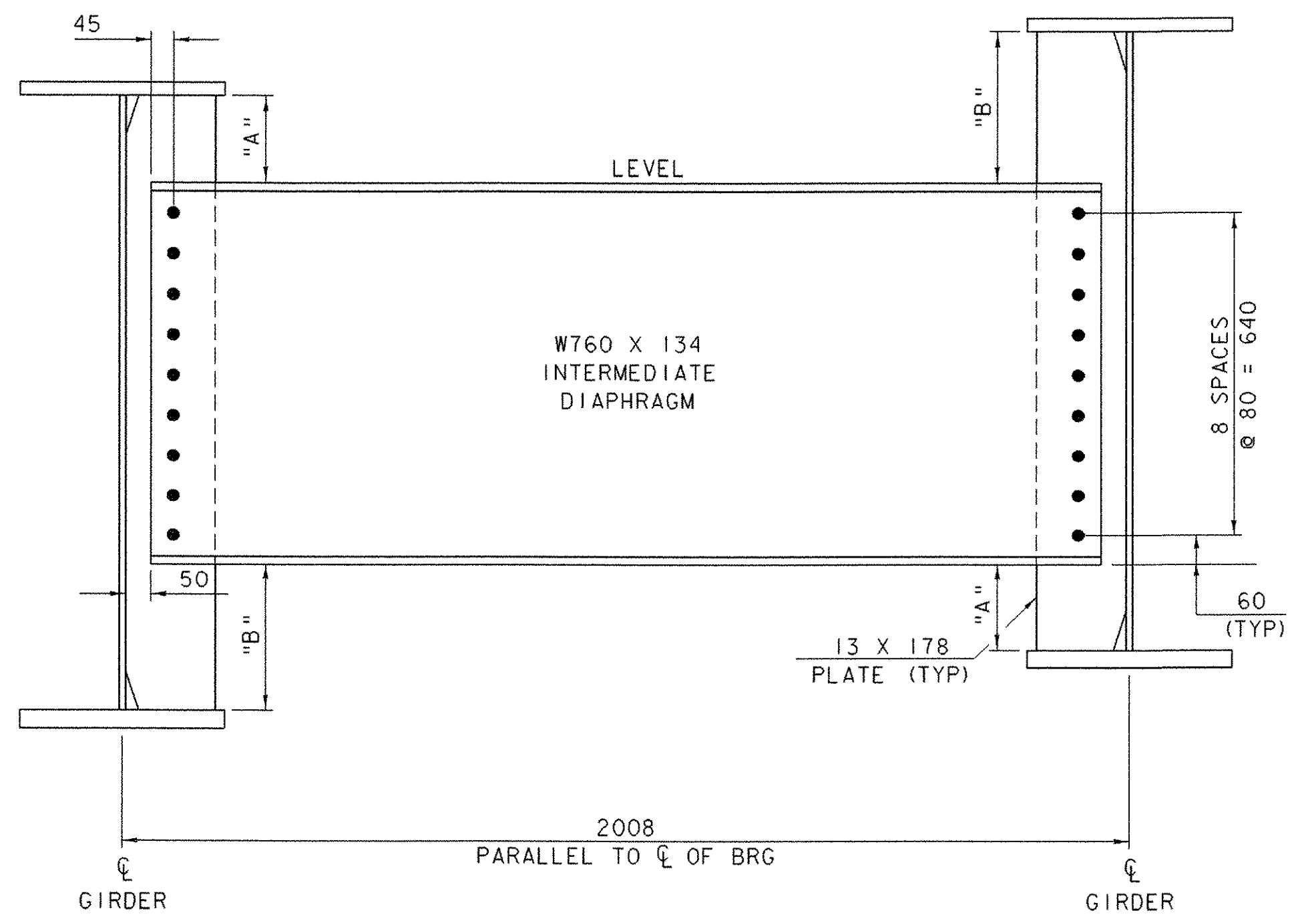
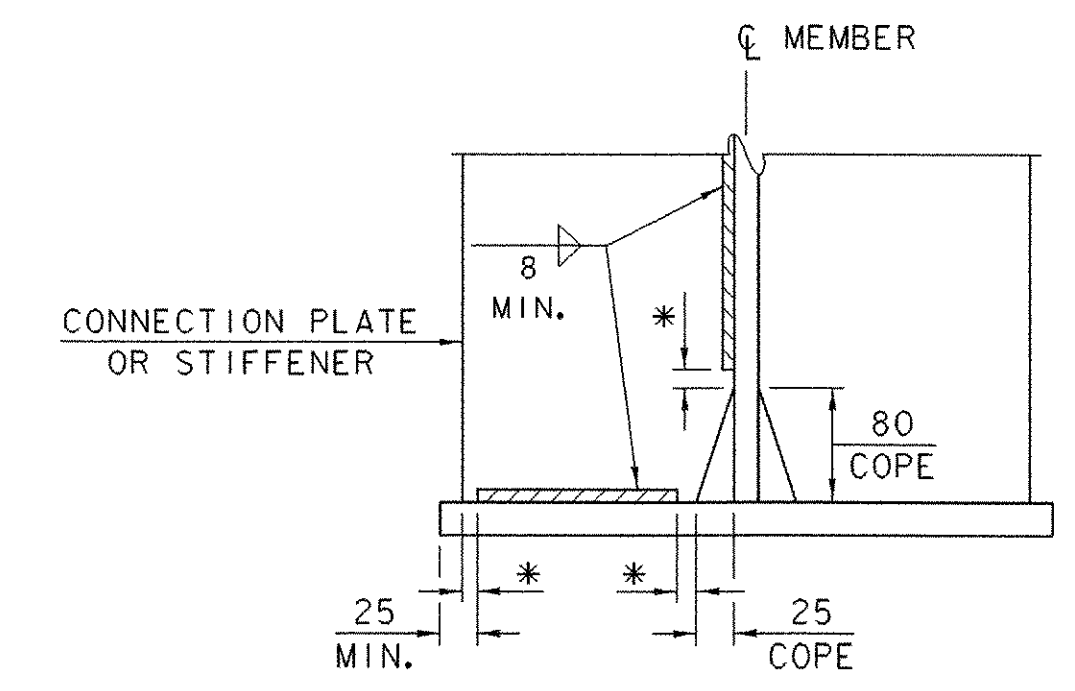


ABUTMENT DIAPHRAGM
SCALE 1 : 10

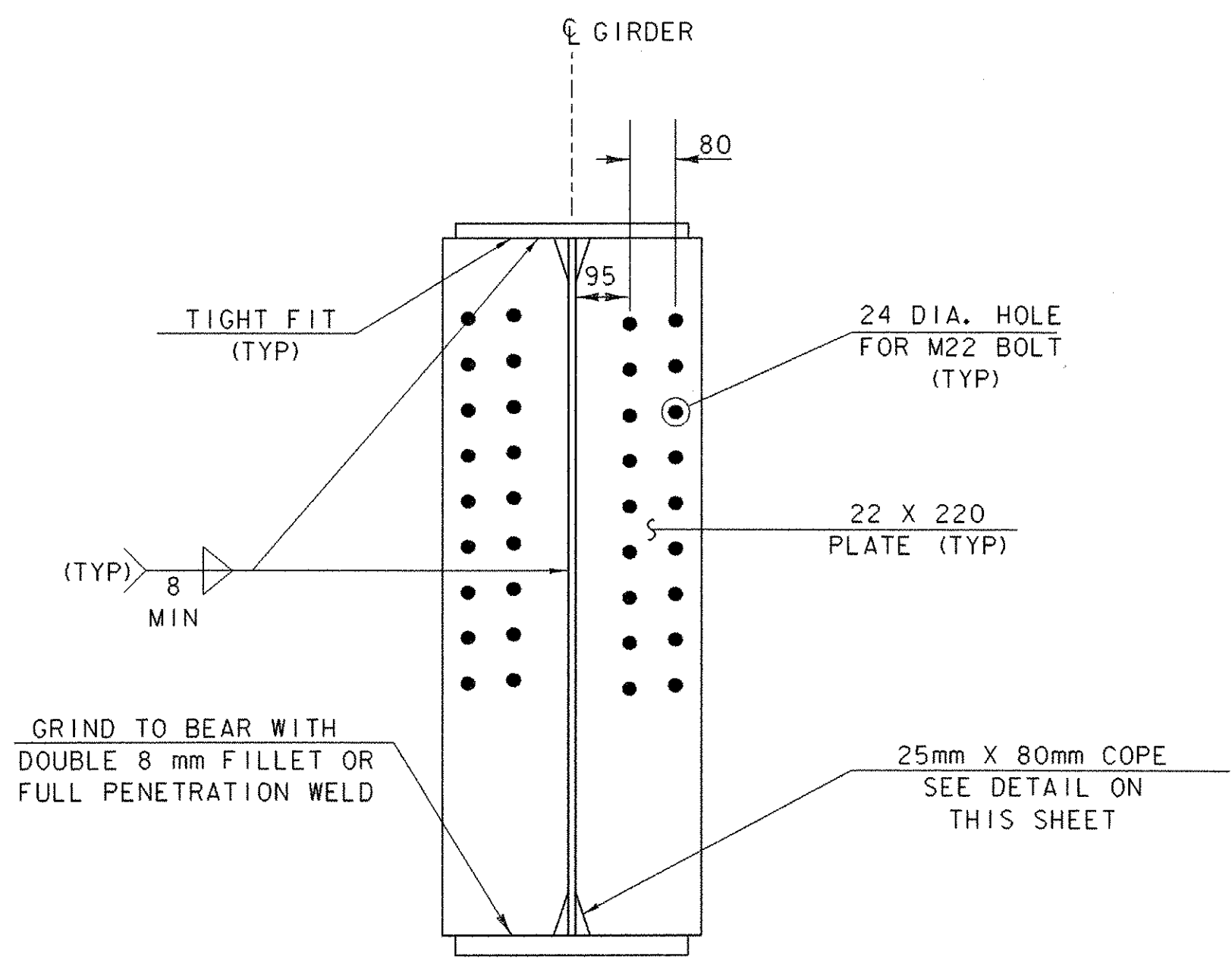


INTERMEDIATE DIAPHRAGM
SCALE 1 : 10



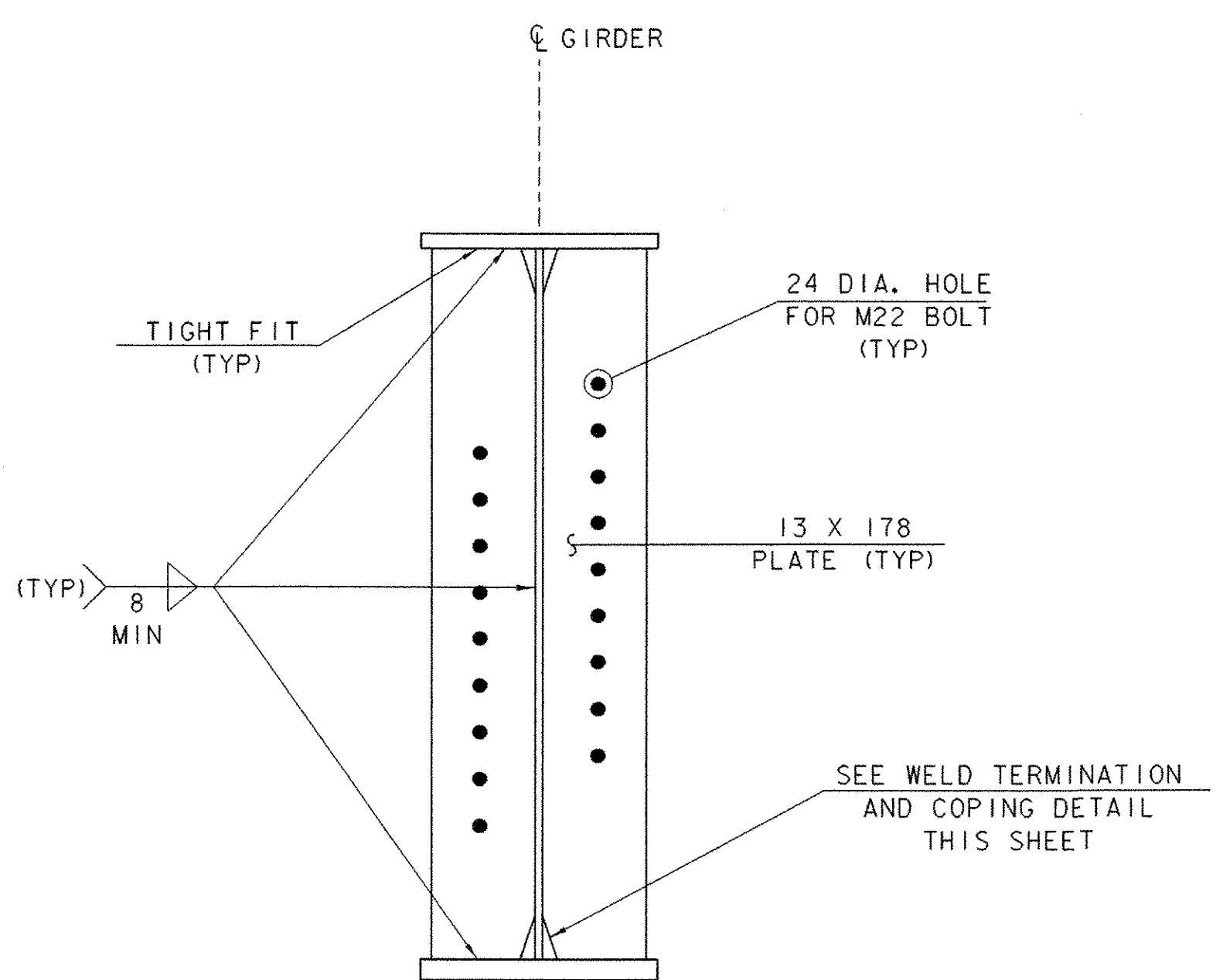
WELD TERMINATION AND COPING DETAIL FOR STEEL MEMBERS

* NO WELD FOR 10 MIN. , 22 MAX. (EXCEPT MUST MAINTAIN 25 MIN. FROM EDGE OF FLANGE)

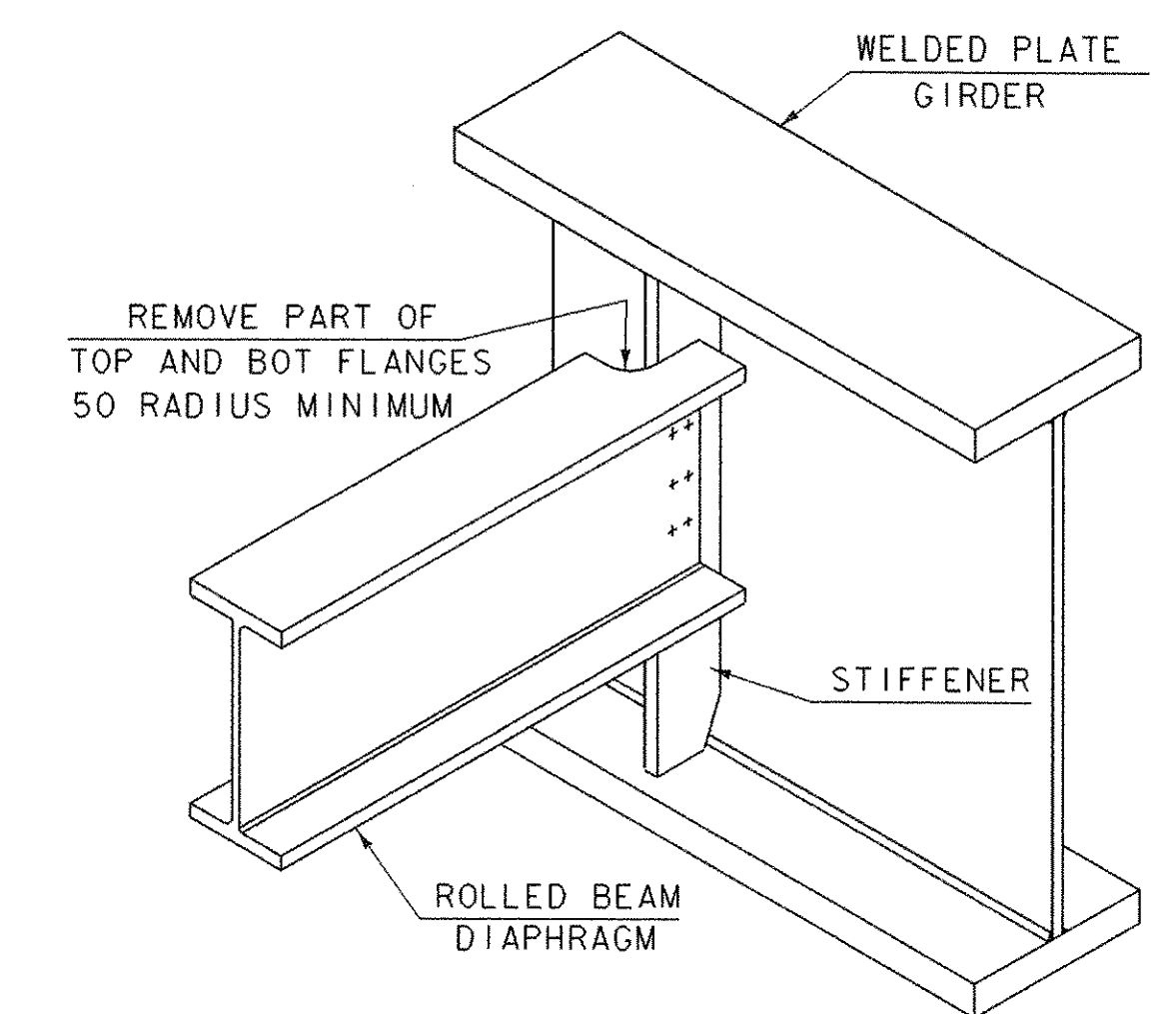


ABUTMENT BEARING STIFFENER DETAIL
SCALE 1 : 10

NOTE: OMIT HOLES IN THE STIFFENERS ON THE OUTSIDE OF THE FASCIA GIRDERS.



INTERMEDIATE DIAPHRAGM CONNECTION PLATE DETAIL
SCALE 1 : 10



SEE CONTRACT DRAWINGS FOR SIZES OF MEMBERS AND CONNECTION DETAILS

ROLLED BEAM USED AS DIAPHRAGM
NOT TO SCALE

SHEET NAME: STRUCTURAL STEEL DETAILS		
PROJECT NAME: LEICESTER	HIGHWAY NO.: TH 1	
PROJECT NUMBER: BRF 0160(3)S	BRIDGE NO.: 6	
	OVER: OTTER CREEK	
FILE NAME: 95j288\Structures\sj288sup.dgn	PLOT DATE: 17-AUG-2005	
PROJECT MANAGER: R. R. WHITCOMB	DRAWN BY: M. HALE	
DESIGNED BY: C. CARLSON	IPARM NAME: sj288ssd.1	
BRIDGE SHEET NUMBER:	SHEET 50 OF 90	