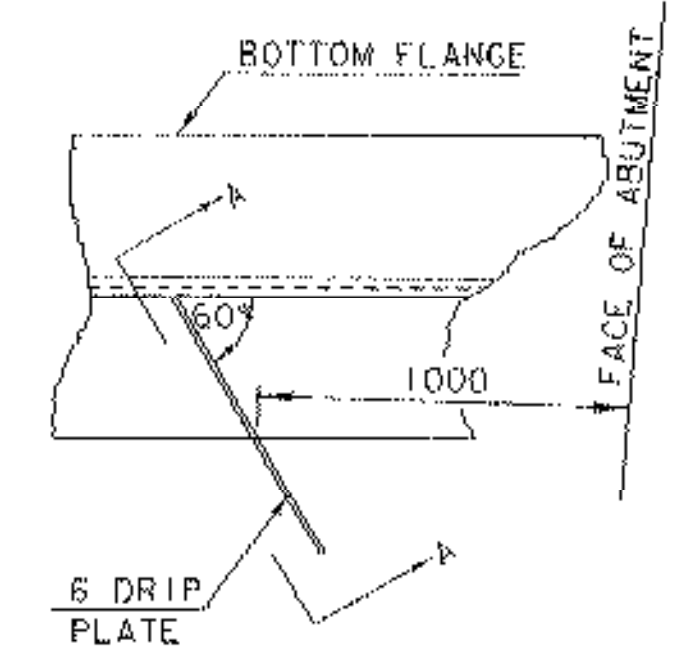
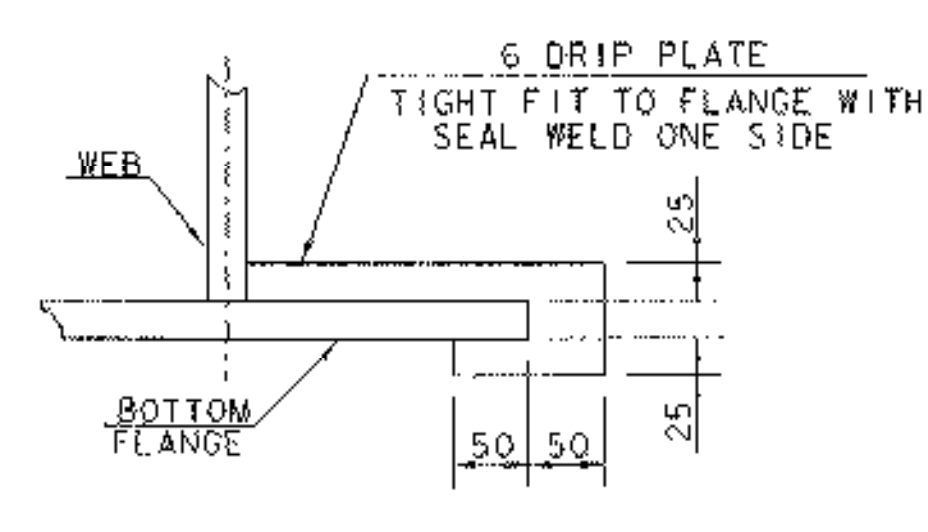


DEAD LOAD DEFLECTION
NOT TO SCALE

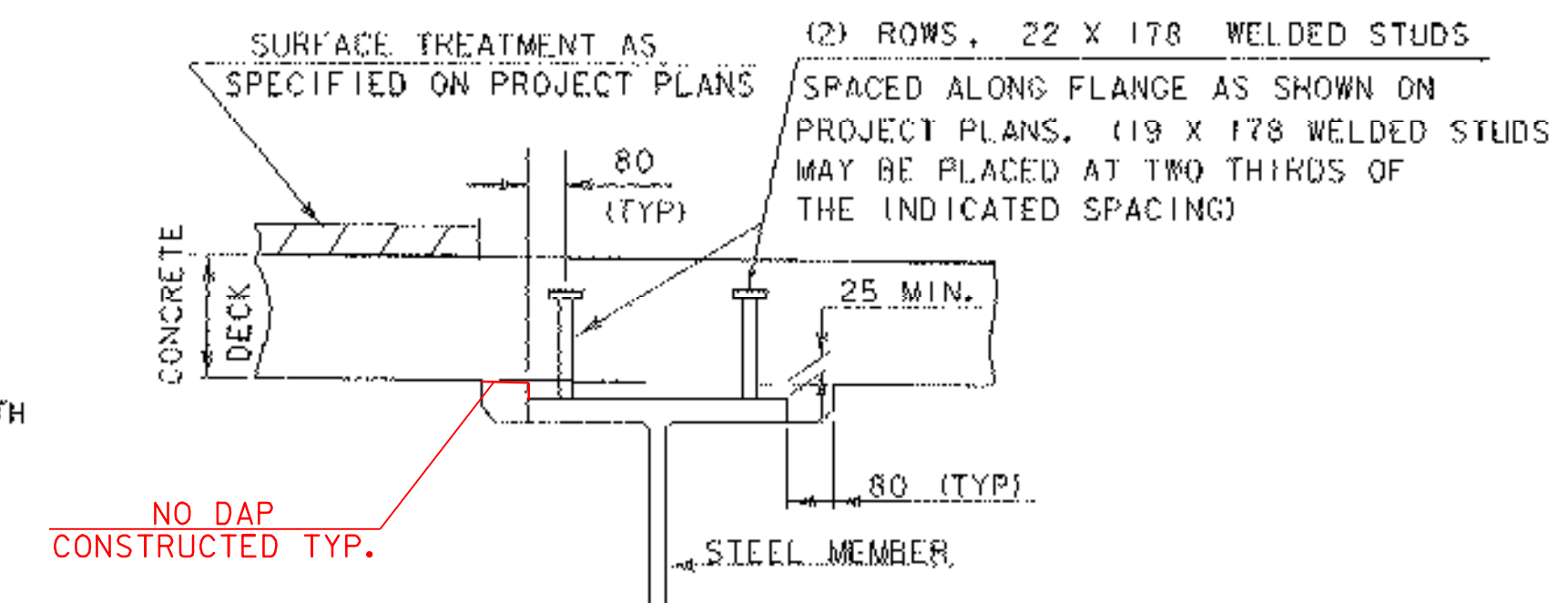
NOTE: DEAD LOAD DEFLECTION IS DUE TO GIRDER, DIAPHRAGMS, DECK, CURBS, PAVEMENT AND RAILING.



PLAN DRIP PLATE
NOT TO SCALE



SECTION A - A
NOT TO SCALE



NOTE: THE 80 HORIZONTAL SECTION MAY BE ELIMINATED FOR FORMING SYSTEMS DESIGNED FOR THE CONSTRUCTION OF VERTICAL HAUNCHES IF APPROVED BY THE STRUCTURES ENGINEER

BORG HANGERS APPROVED AND USED.

SHEET NAME: FRAMING PLAN	
PROJECT NAME: LEICESTER	HIGHWAY NO.: TH 1
PROJECT NUMBER: BRF 0160(3)S	BRIDGE NO.: 6
	OVER: OTTER CREEK
FILE NAME: /PW/95J288/sj288sup.dgn	PLOT DATE: 17-AUG-2005
PROJECT MANAGER: R. R. WHITCOMB	DRAWN BY: T. FILLBACH
DESIGNED BY: C. CARLSON	IPARM NAME: sj288frm.i
BRIDGE SHEET NUMBER:	SHEET 49 OF 90