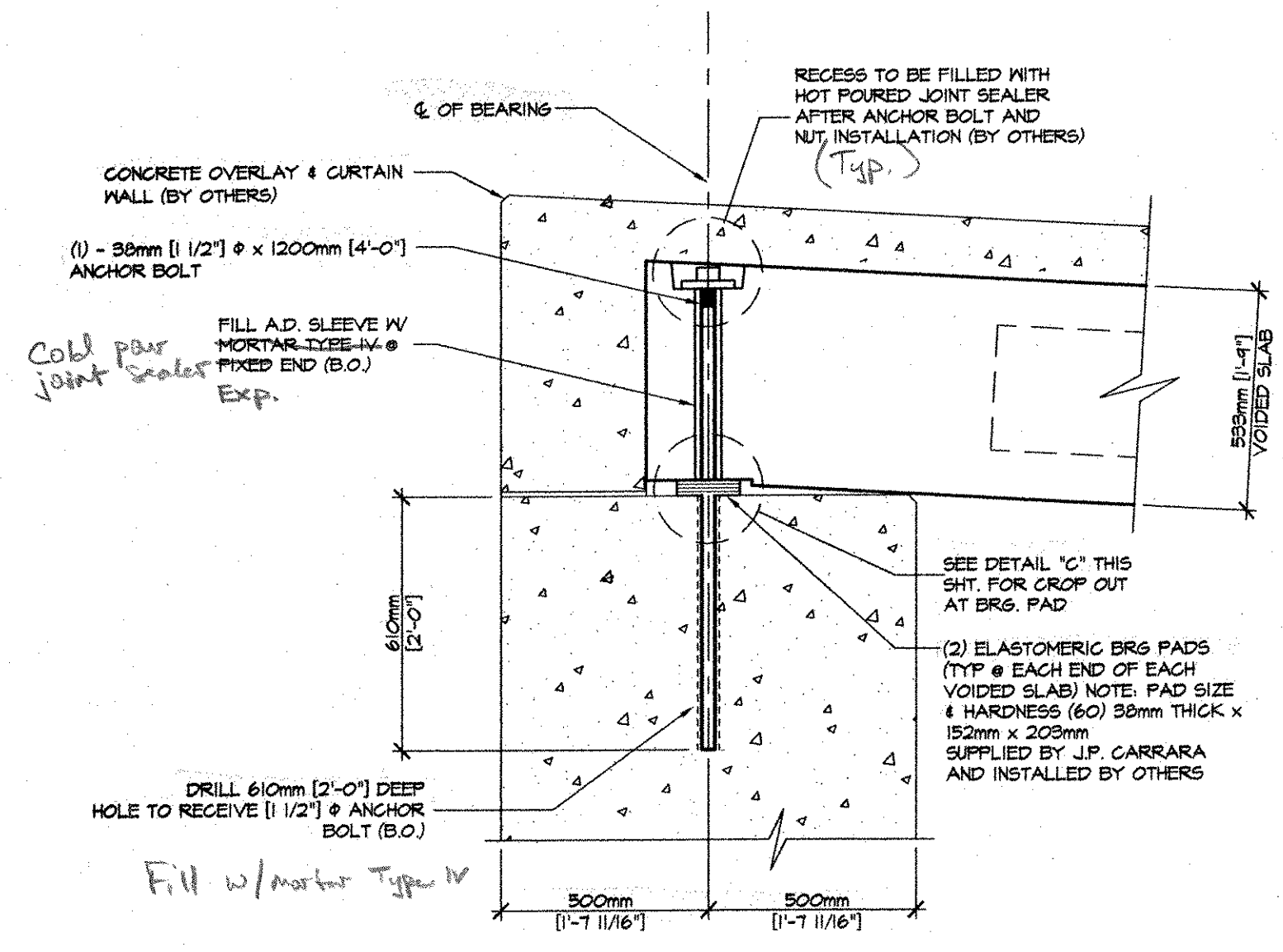
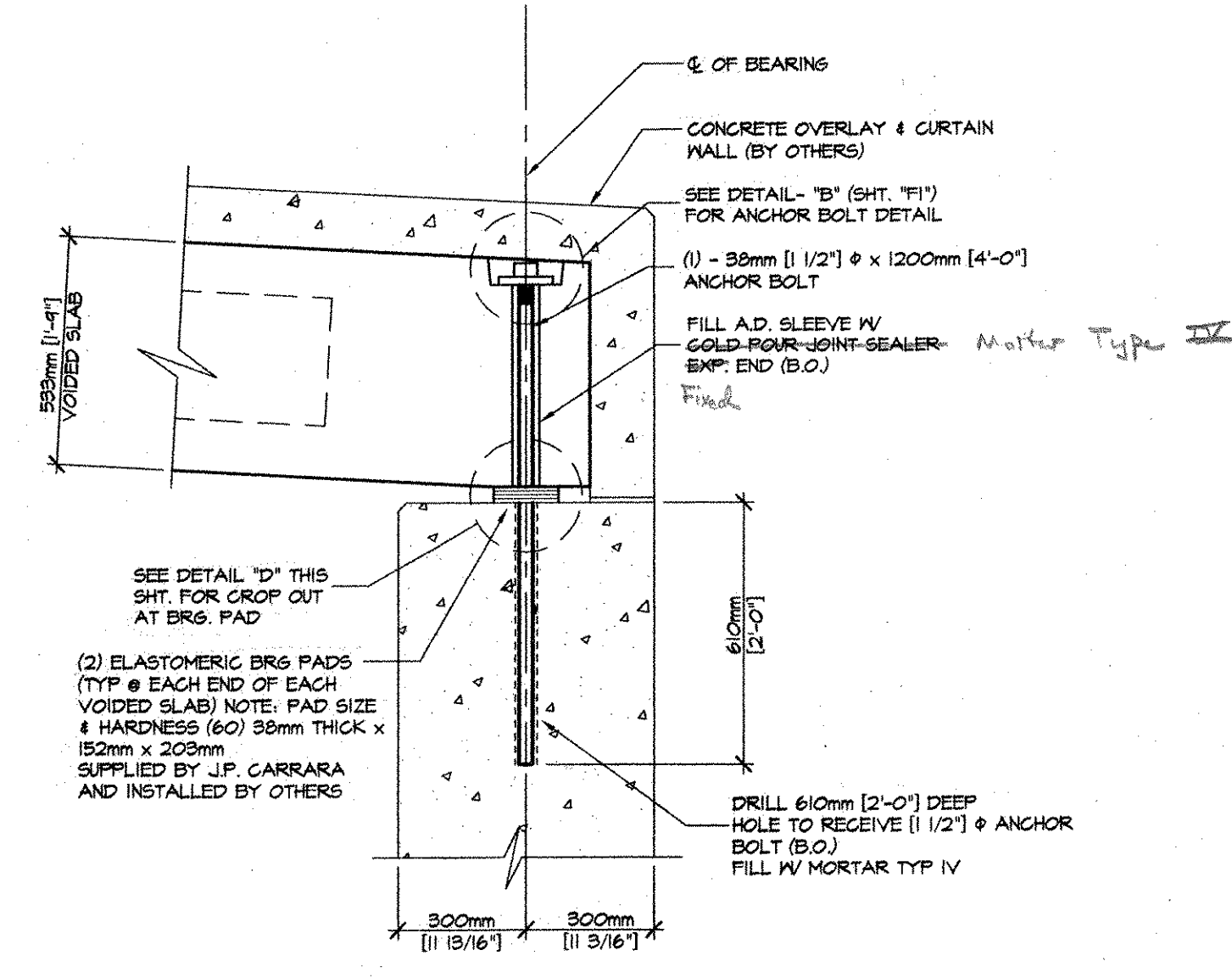


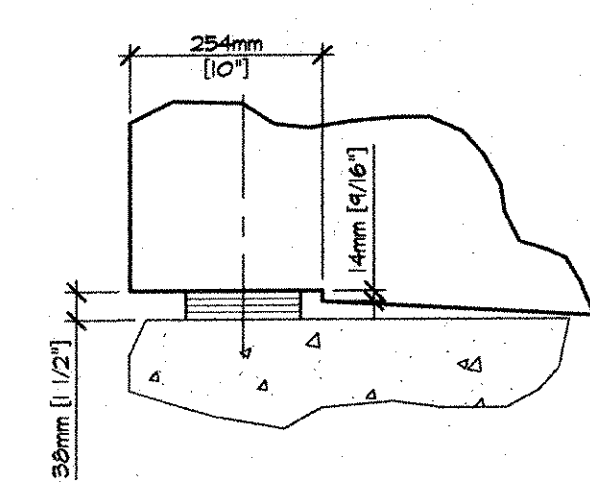
2 TRANSVERSE SECTION
F2 1:25



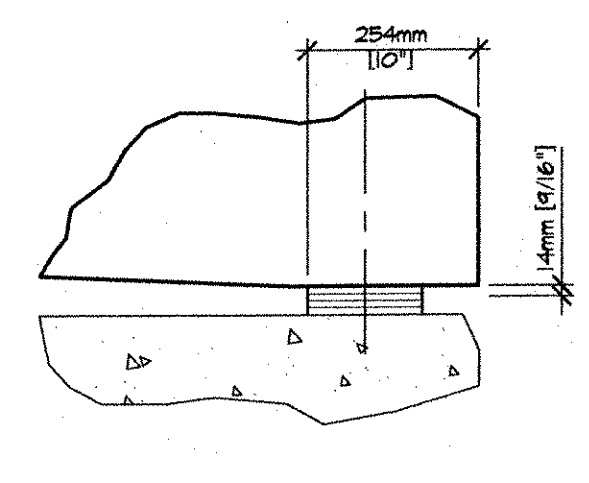
A SECTION @ BEARING
F2 FIXED END 1:15



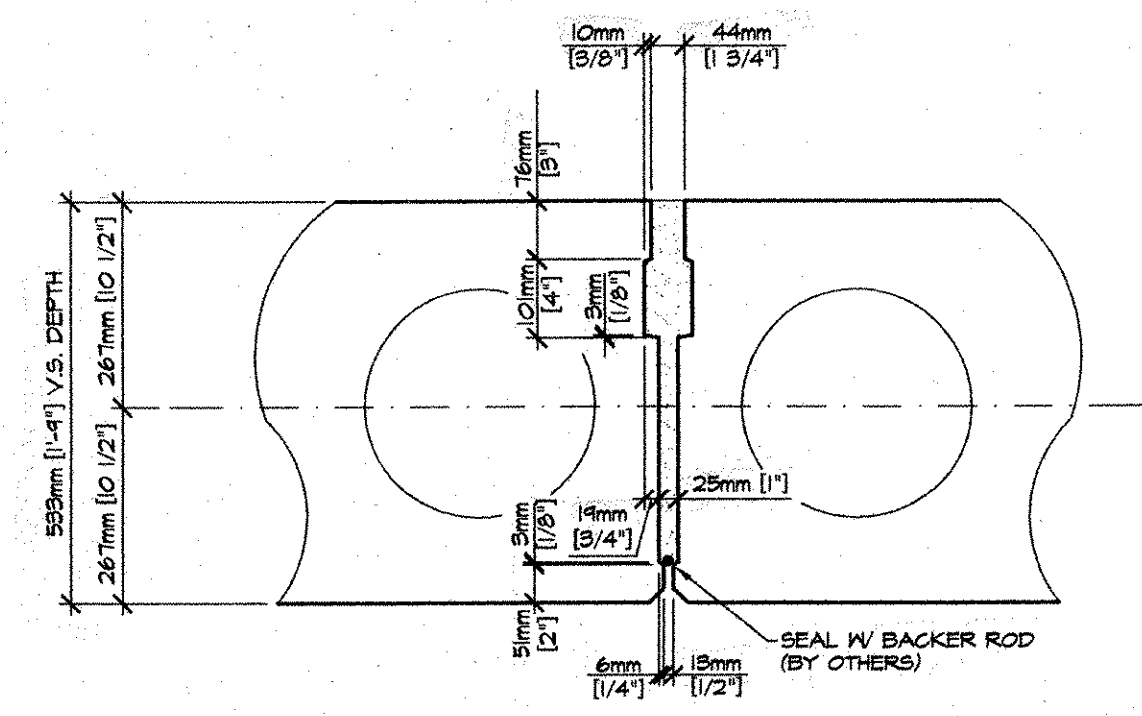
B SECTION @ BEARING
F2 EXP. END 1:15



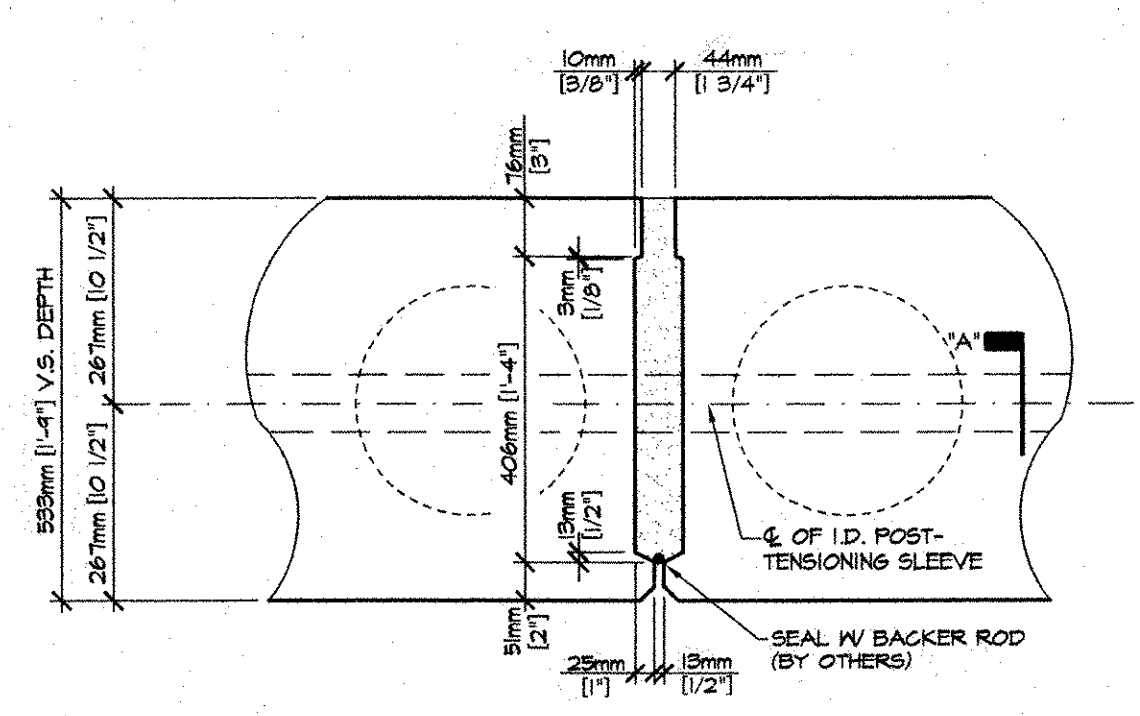
DETAIL - "C" 1:10



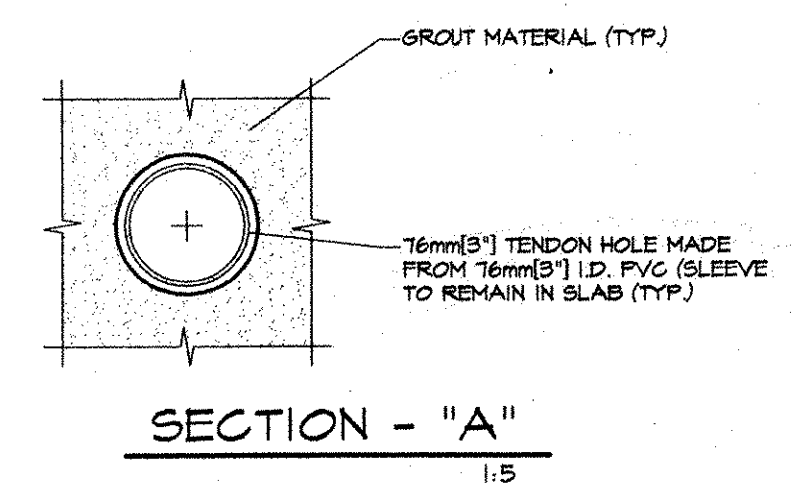
DETAIL - "D" 1:10



C TYP. SHEAR KEY SECTION
F2 1:10



D SHEAR KEY SECTION @
F2 P.T. SLEEVE 1:10



SECTION - "A" 1:5

RECEIVED
OK'D BY _____ OK'D BY _____
MAR 31 2006
RESUBMIT _____ APPROVED _____
BY _____ DATE _____

APPROVAL STAMP:

RECEIVED
OK'D BY JMP OK'D BY CWC
MAR 31 2006
RESUBMIT _____ APPROVED As noted
BY CWC DATE 4.6.06

J.P. CARRARA & SONS INC. Precast & Prestress Manufacturer 2464 ONE STR., MIDDLEBURY, VERMONT 05753 Phone:(802)388-6361 Fax:(802)388-9010		BELDEN COMPANY, INC. CONTRACTOR RUTLAND, VERMONT	
STATE OF VERMONT A.O.T. COUNTY OF RUTLAND		DATE: MARCH 29, 2006	
TOWN OF CLARENDON - BRIDGE #24 TH 16 OVER CLARENDON RIVER		SCALE: NOTED	CHKD: - DFTM: D.S.S.
SECTION AND DETAILS		JOB NO: 23236-06	DWG. NO: F2 053 pec