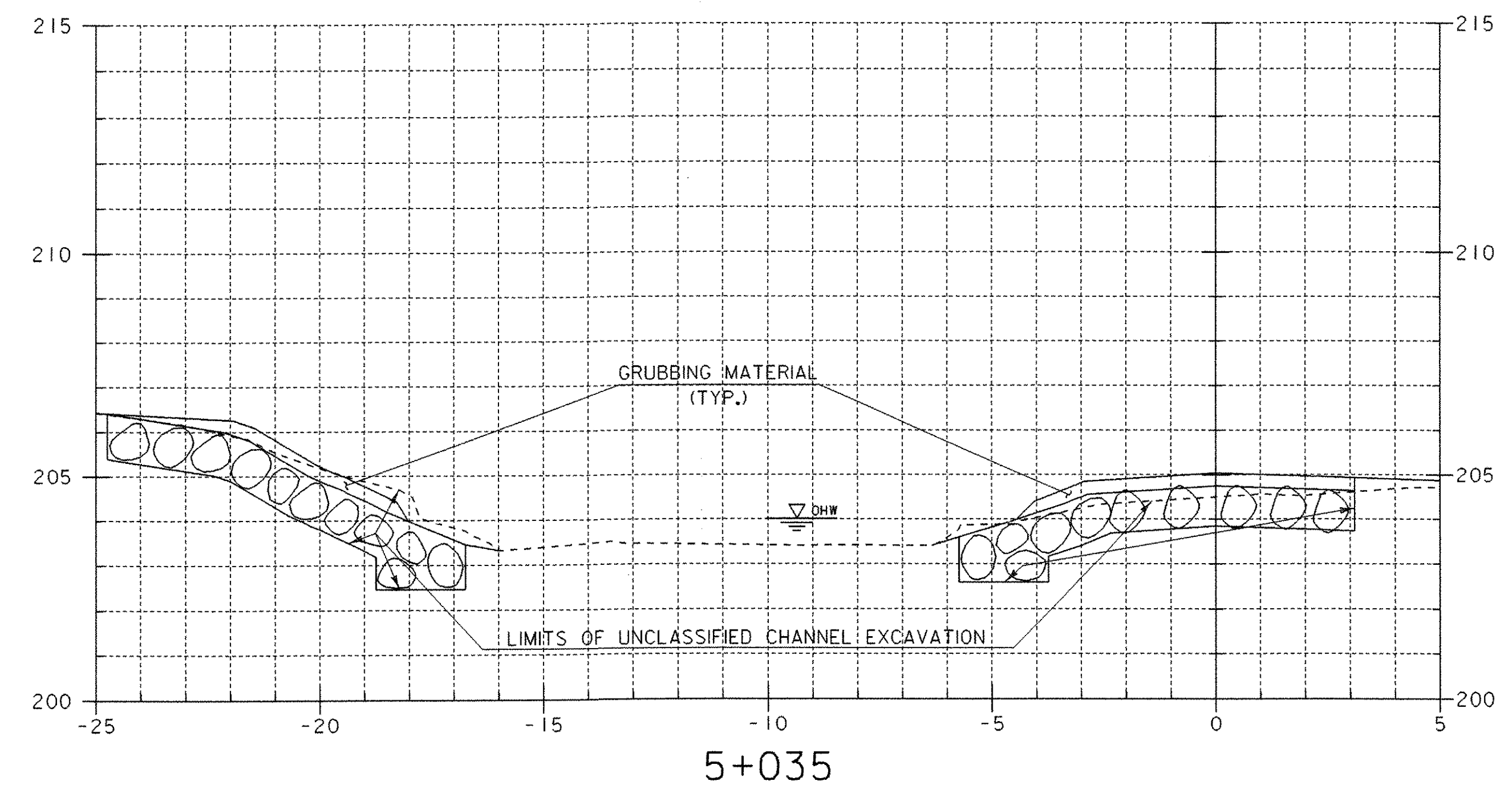
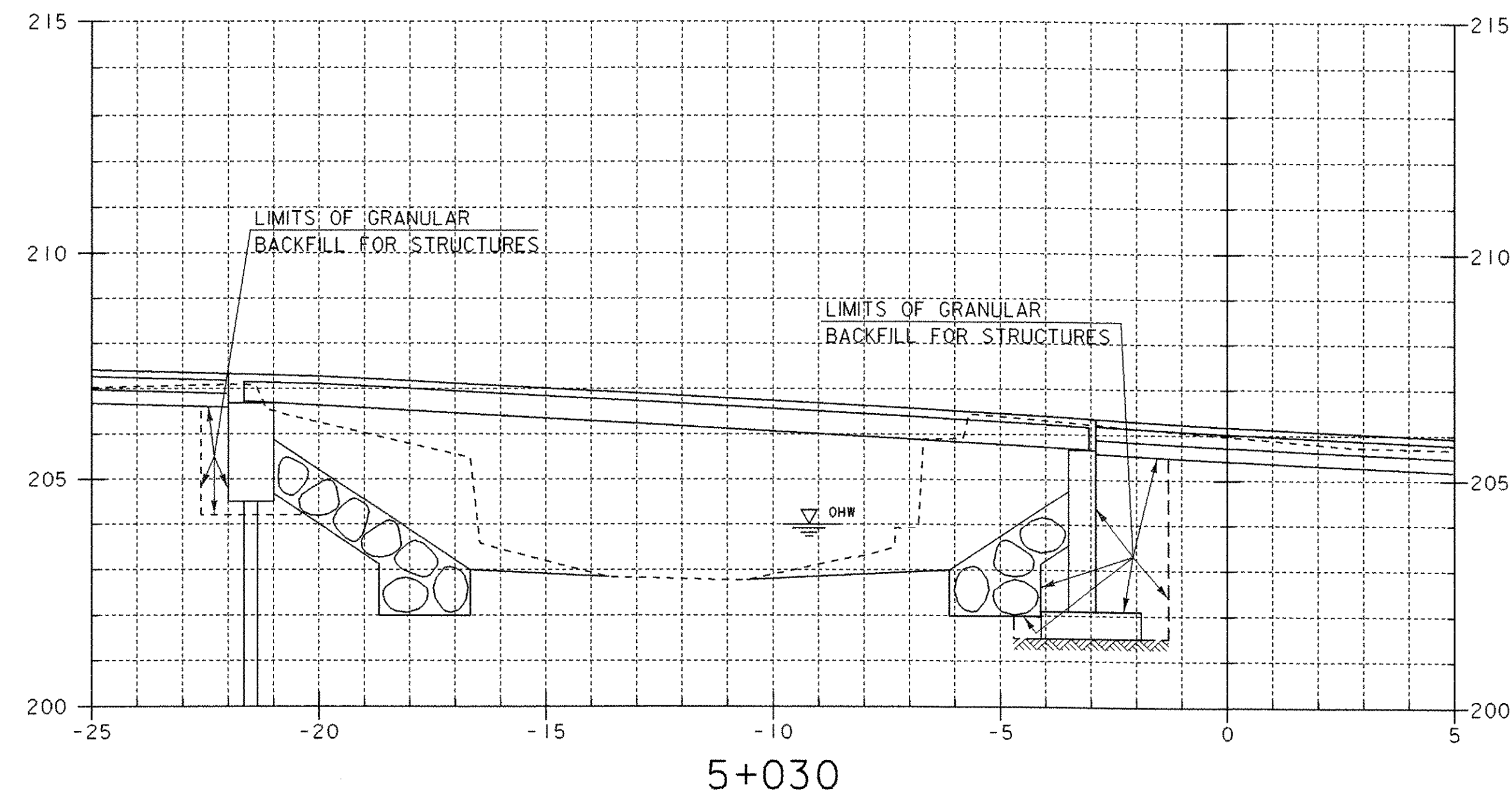


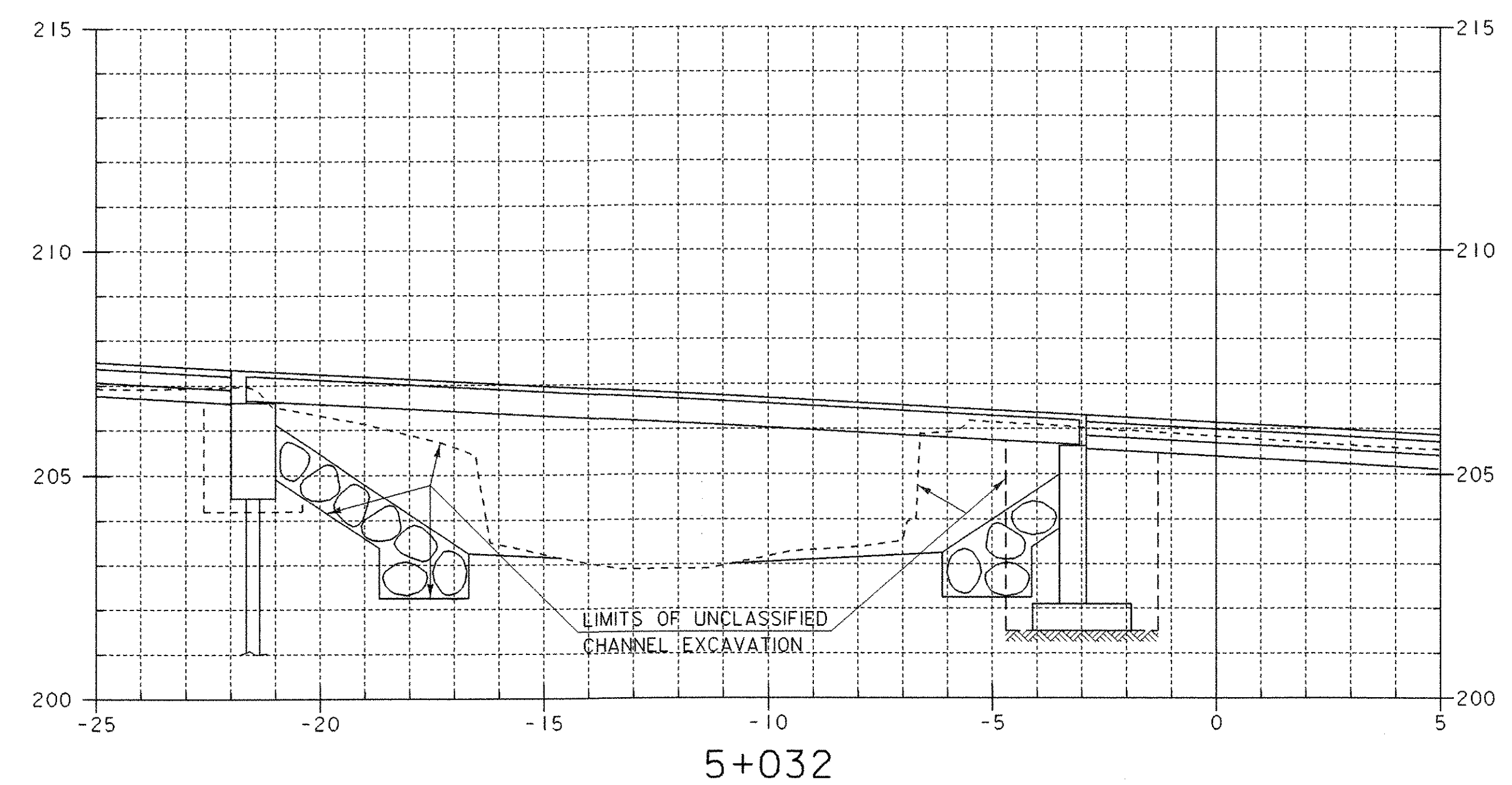
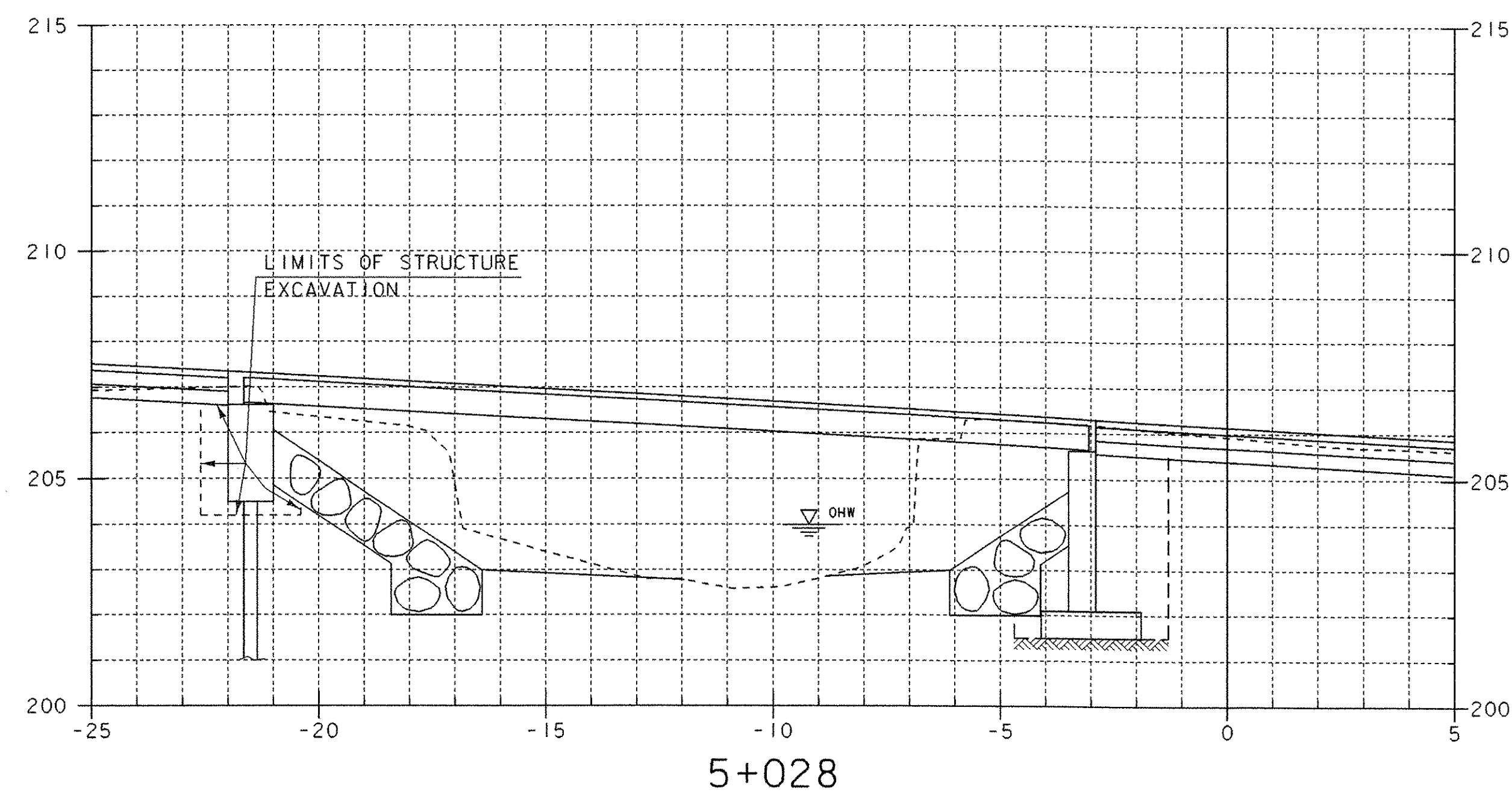
STA 5 + 037 FAR LEFT  
 END STONE FILL TYPE III  
 END UNCLASSIFIED CHANNEL EXCAVATION  
 END GRUBBING MATERIAL  
 END GEOTEXTILE UNDER STONE FILL

STA 5 + 036.5 NEAR LEFT  
 END STONE FILL TYPE III  
 END UNCLASSIFIED CHANNEL EXCAVATION  
 END GRUBBING MATERIAL  
 END GEOTEXTILE UNDER STONE FILL



STA. 5+033.5 FAR LT.  
 END STRUCTURE EXCAVATION &  
 GRANULAR BACKFILL FOR STRUCTURES

STA 5+033 FAR AND NEAR LEFT  
 BEGIN GRUBBING MATERIAL



STA 5+027 FAR AND NEAR LEFT  
 END GRUBBING MATERIAL

STA 5+026.5 FAR LT.  
 BEGIN STRUCTURE EXCAVATION AND  
 GRANULAR BACKFILL FOR STRUCTURES

SHEET NAME: CHANNEL SECTIONS	
PROJECT NAME: CLARENDON	HIGHWAY NO.: TH 16
PROJECT NUMBER: BRO 1443(34)	BRIDGE NO.: 24
	OVER: CLARENDON RIVER
FILE NAME: /PW/95J286/sj286xsl.dgn	PLOT DATE: 01-DEC-2005
PROJECT MANAGER: R. WHITCOMB	DRAWN BY: STRI
DESIGNED BY: C. CARLSON	IPARM NAME: sj286cx2.i
BRIDGE SHEET NUMBER:	SHEET 42 OF 43