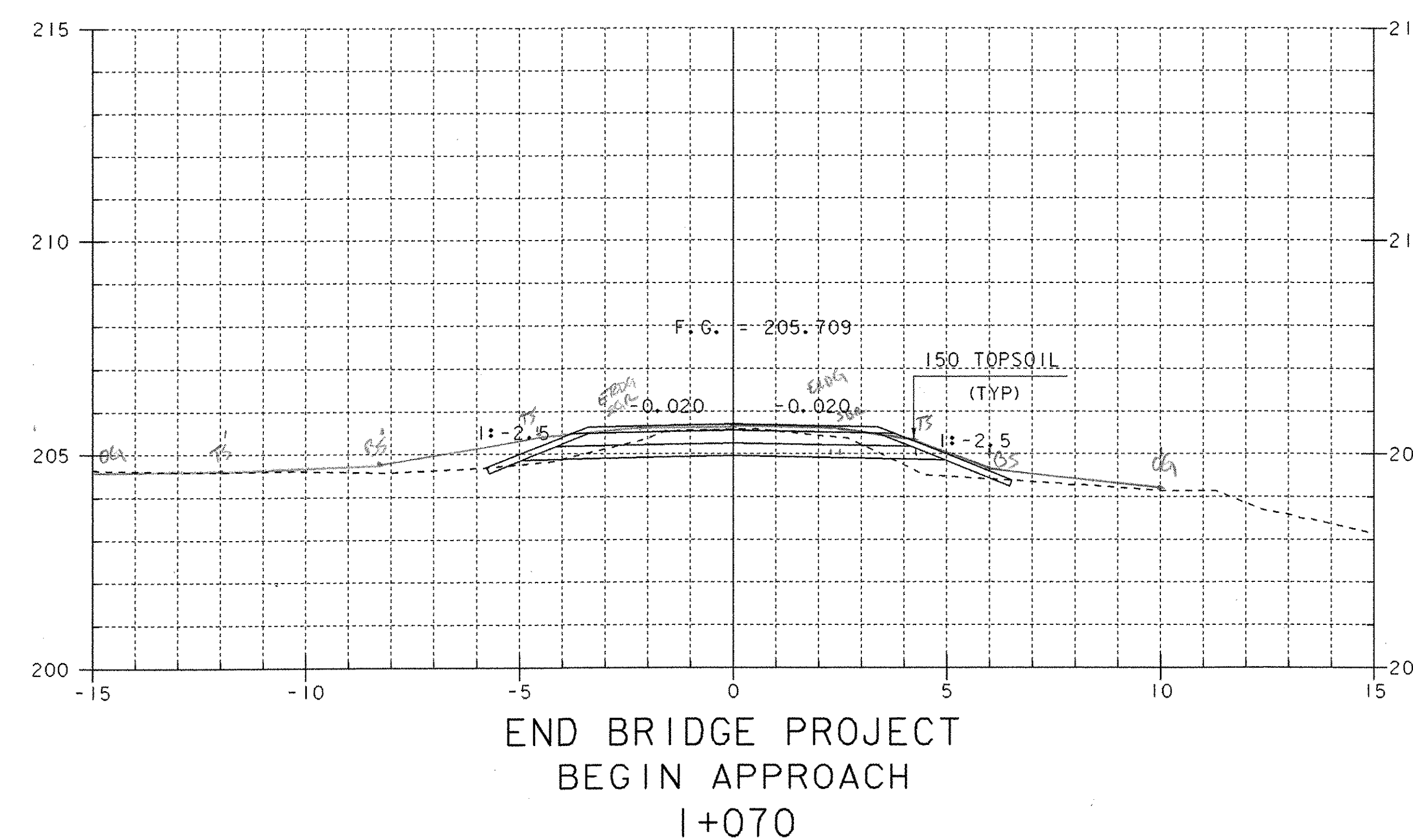
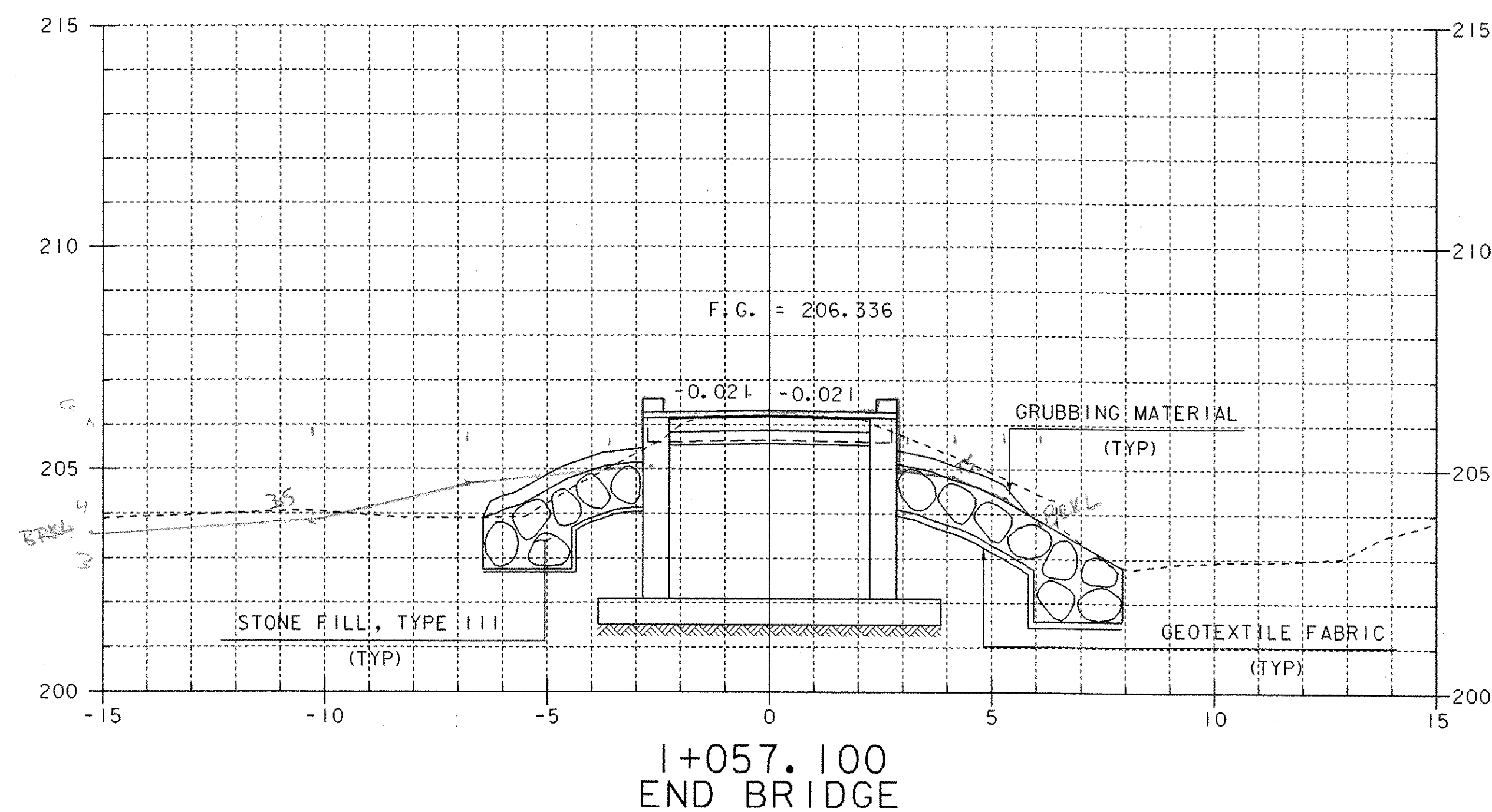


FINAL SECTIONS  
SEE ORIGINAL SURVEY NOTES  
DATED 11/16 BY L. DEWIS.  
DWA  
2/1/04



SHEET NAME: MAINLINE SECTIONS		
PROJECT NAME: CLARENDON	HIGHWAY NO.: TH 16	
PROJECT NUMBER: BRO 1443(34)	BRIDGE NO.: 24	OVER: CLARENDON RIVER
FILE NAME: /PW/95J286/sj286xsl.dgn	PLOT DATE: 01-DEC-2005	
PROJECT MANAGER: R. WHITCOMB	DRAWN BY: STRI	
DESIGNED BY: C. CARLSON	IPARM NAME: sj286m3.1	
BRIDGE SHEET NUMBER:	SHEET 39	OF 43