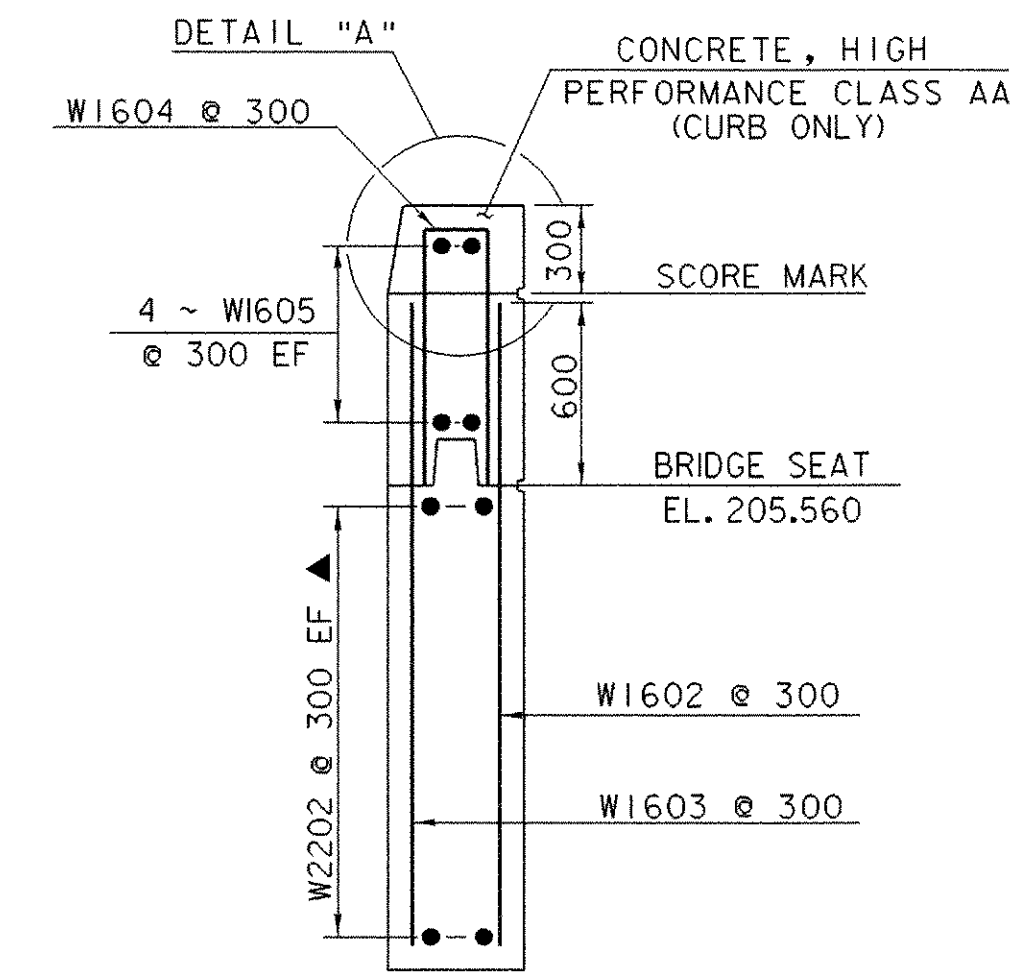
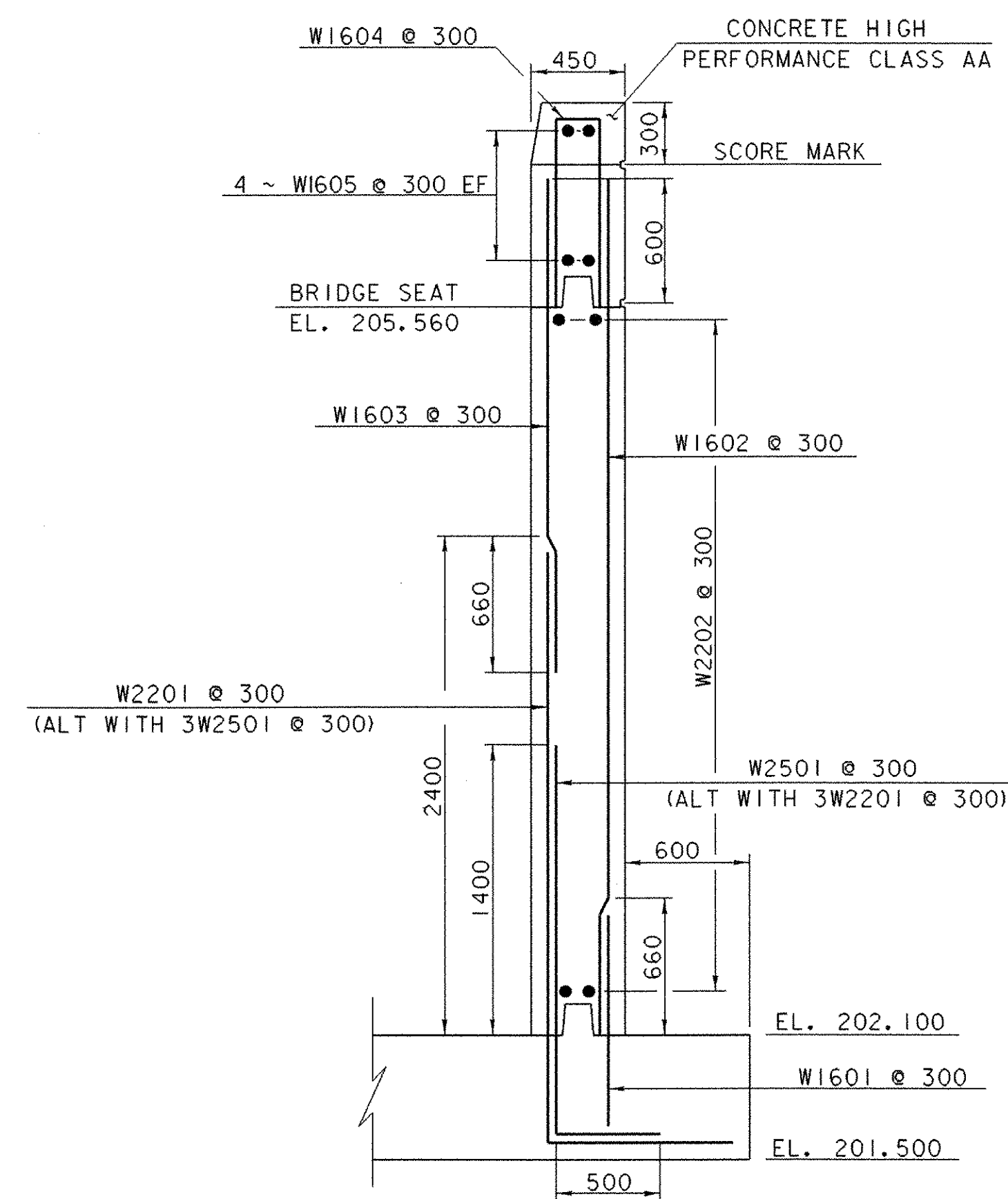


DETAIL 'A'



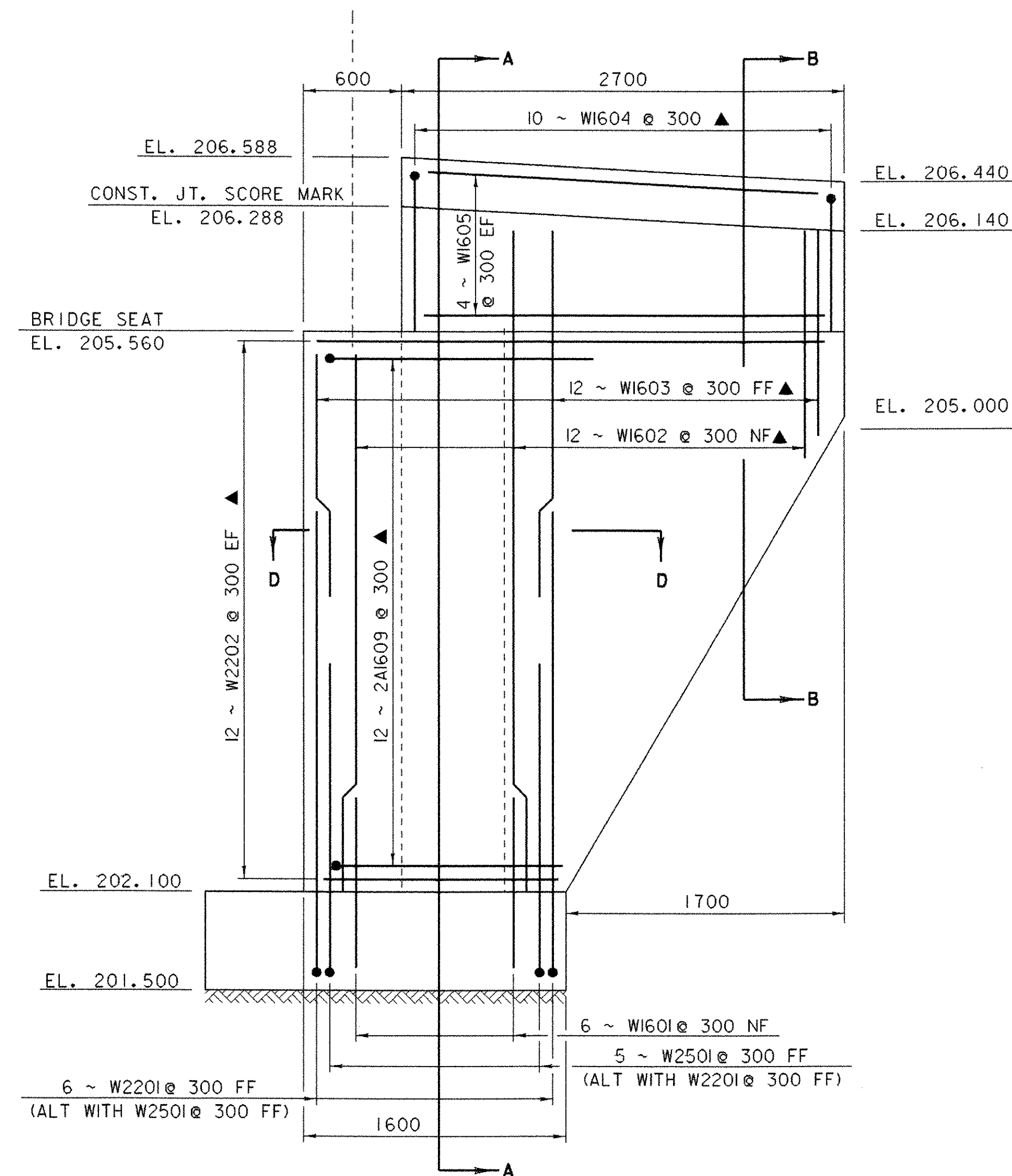
SECTION B-B

SCALE: 1:25



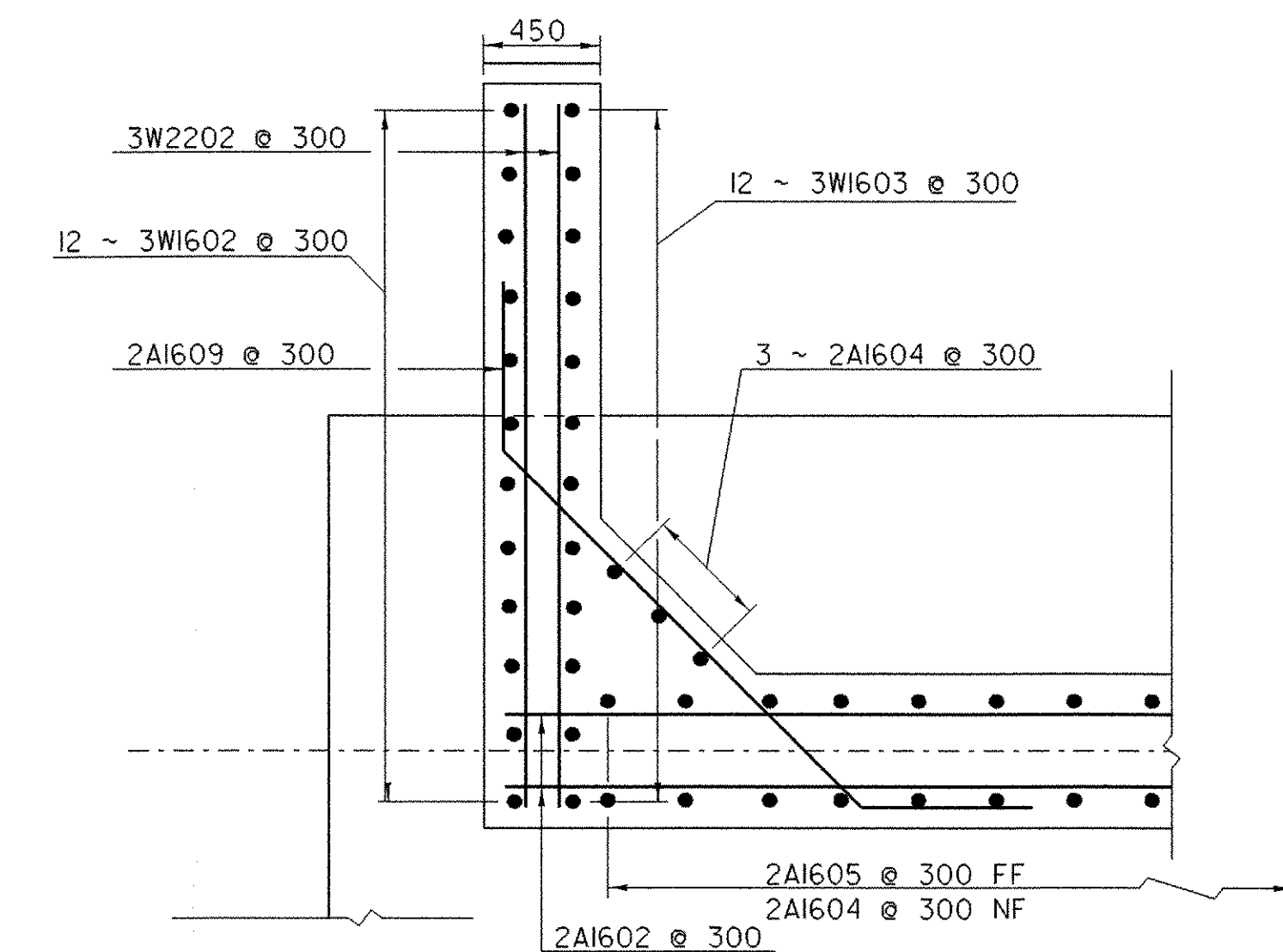
SECTION A-A

SCALE: 1:25



TYPICAL WINGWALL #3 & #4 ELEVATION

SCALE: 1:25



SECTION D-D

SCALE: 1:25

NOTES

1. NF = NEAR FACE
2. FF = FAR FACE
3. EF = EACH FACE
4. ▲ = CUT TO FIT IN FIELD
5. 80 CLEAR UNLESS OTHERWISE SPECIFIED ON THE PLANS

SHEET NAME: WINGWALLS 3&4 DETAILS		
PROJECT NAME: CLARENDON	HIGHWAY NO.: TH 16	
PROJECT NUMBER: BRO 1443(34)	BRIDGE NO.: 24	
	OVER: CLARENDON RIVER	
FILE NAME: /PW/95J286/sj286sub.dgn	PLOT DATE: 01-DEC-2005	
PROJECT MANAGER: R. WHITCOMB	DRAWN BY: J. GILMORE	
DESIGNED BY: C. CARLSON	IPARM NAME: sj286ob3.1	
BRIDGE SHEET NUMBER:	SHEET 32 OF 43	