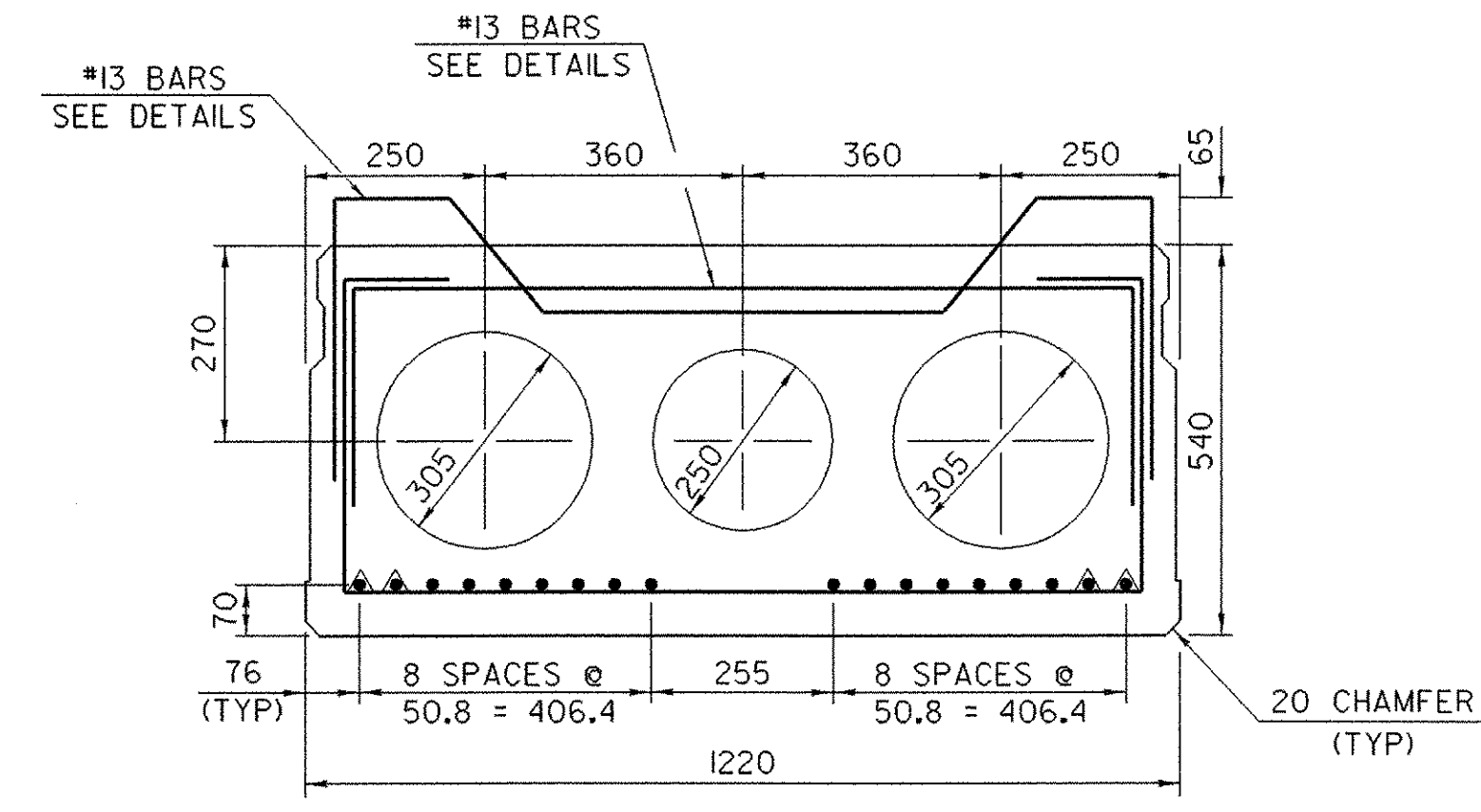


END BLOCK DETAIL

SCALE = 1/10

DETAIL AT TRANSVERSE TENDON

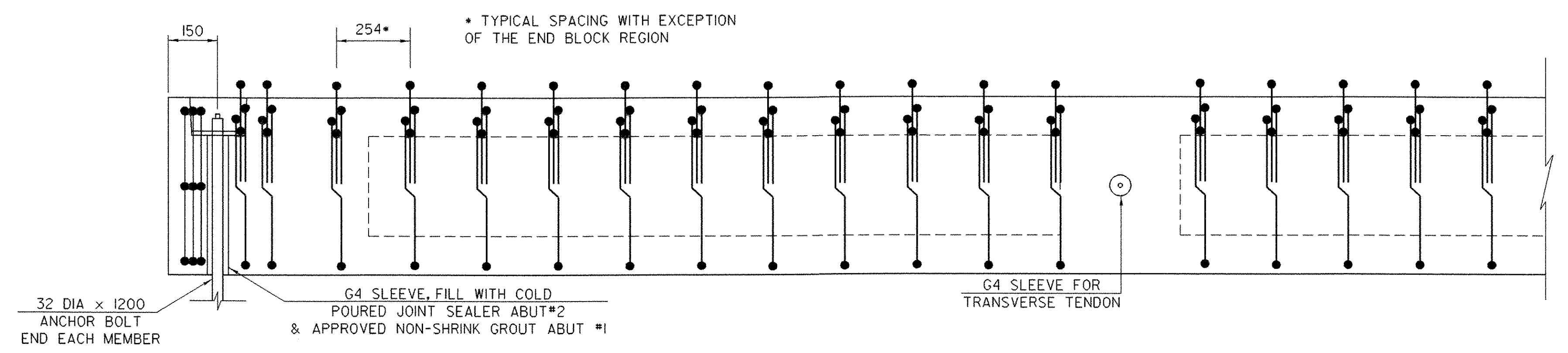
SCALE = 1/10



540 x 1220 VOIDED SLAB

SCALE = 1/10

▲ = STRAND DEBONDED 1850 EACH END



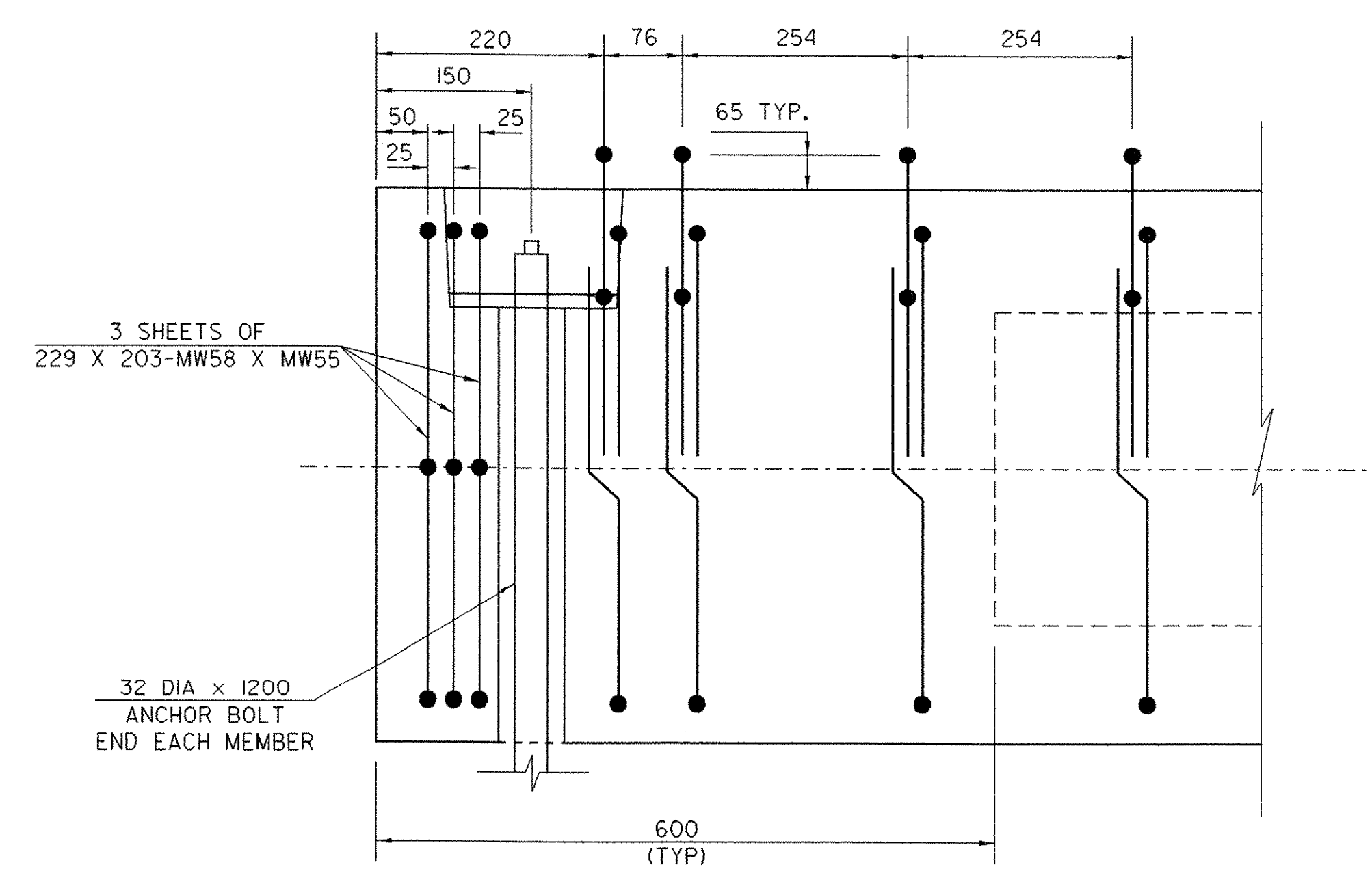
VOIDED SLAB SECTION A-A

SCALE = 1/10

NUMBER OF STRANDS FOR 540x1220 SLAB

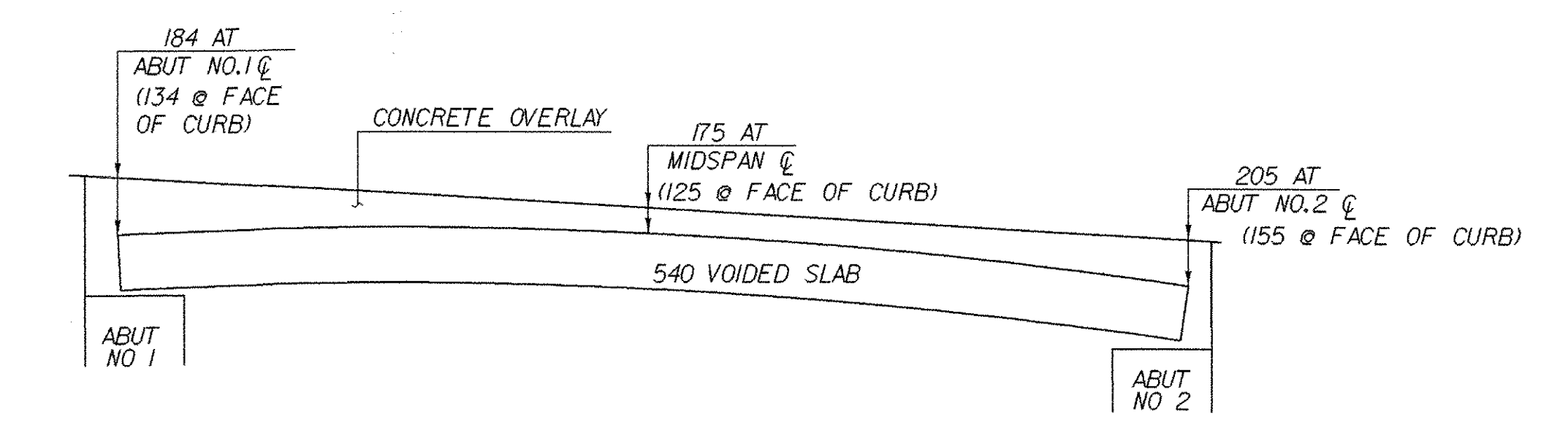
ROW*	NO. OF STRANDS
1 @ 70	18 STRANDS

*ROWS ARE ALWAYS AT SPECIFIED DISTANCES FROM BOTTOM OF UNIT



END BLOCK SECTION

SCALE = 1/5



CONCRETE, HIGH PERFORMANCE CLASS AA DETAIL

SHEET NAME: **540 x 1220 VOIDED SLAB DETAILS**

PROJECT NAME: **CLARENDON** HIGHWAY NO.: TH 16
 PROJECT NUMBER: **BRO 1443(34)** BRIDGE NO.: 24
 OVER: CLARENDON RIVER

FILE NAME: /PW/95j286/sj286sup.dgn PLOT DATE: 01-DEC-2005
 PROJECT MANAGER: R. WHITCOMB DRAWN BY: J. GILMORE
 DESIGNED BY: C. CARLSON IPARM NAME: sj286vs2.1
 BRIDGE SHEET NUMBER: SHEET 27 OF 43