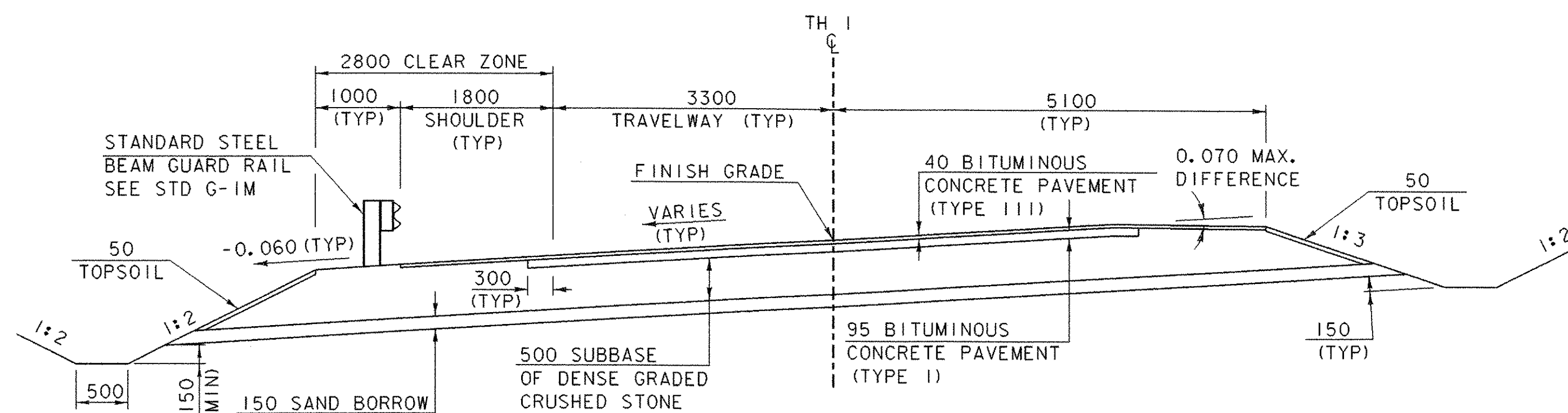
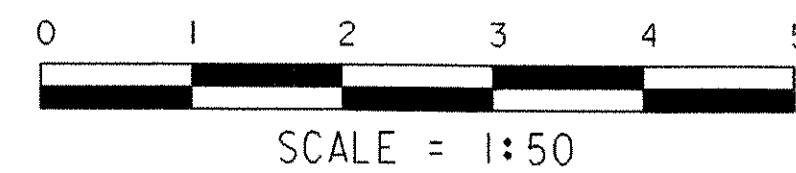
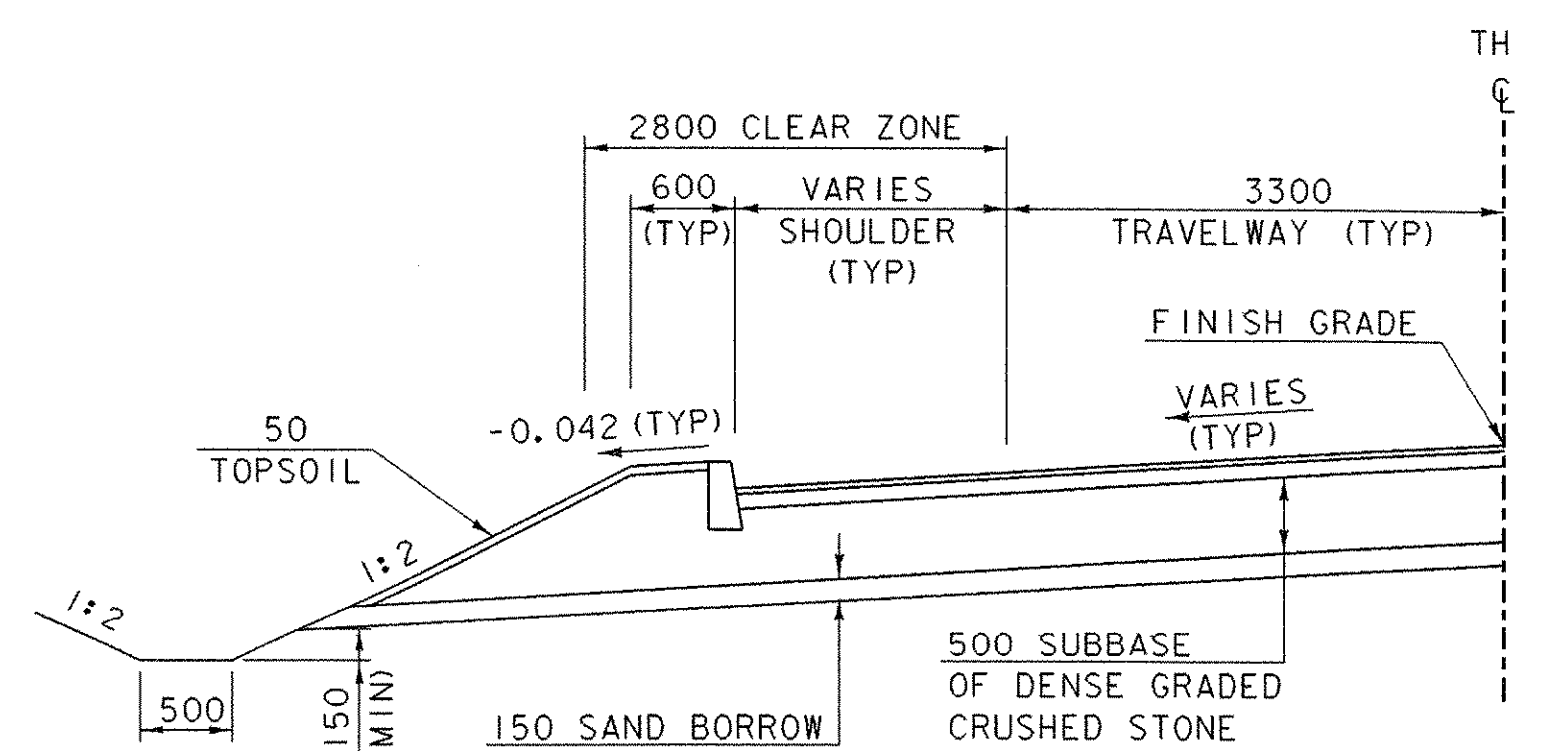


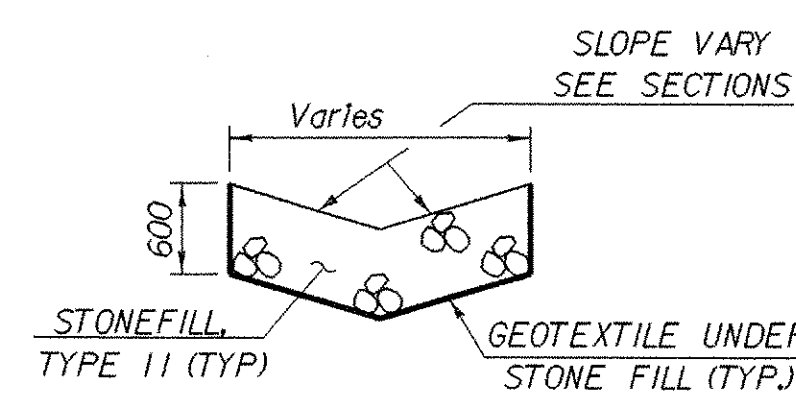
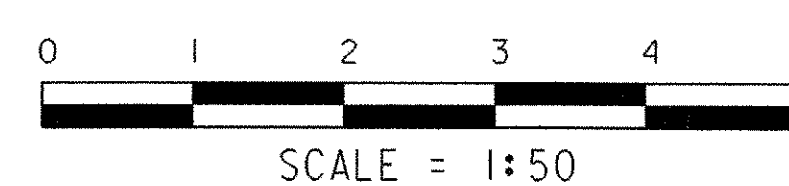
BRIDGE TYPICAL



ROADWAY TYPICAL

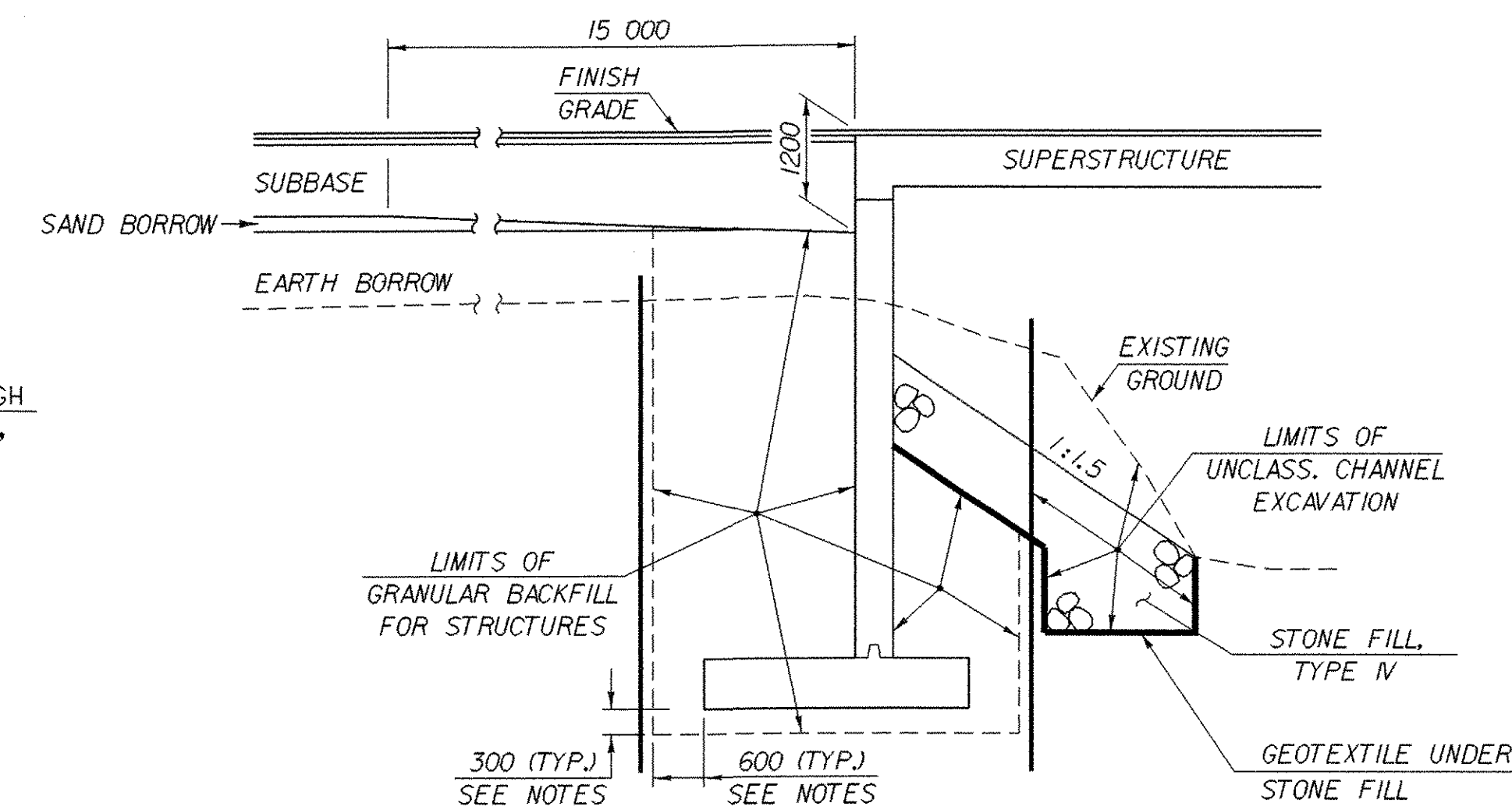


ROADWAY TYPICAL W/ CURB



TYPICAL DITCH SECTION

NOT TO SCALE  
STA 2+206 Rl. - STA 2+800 Rl.

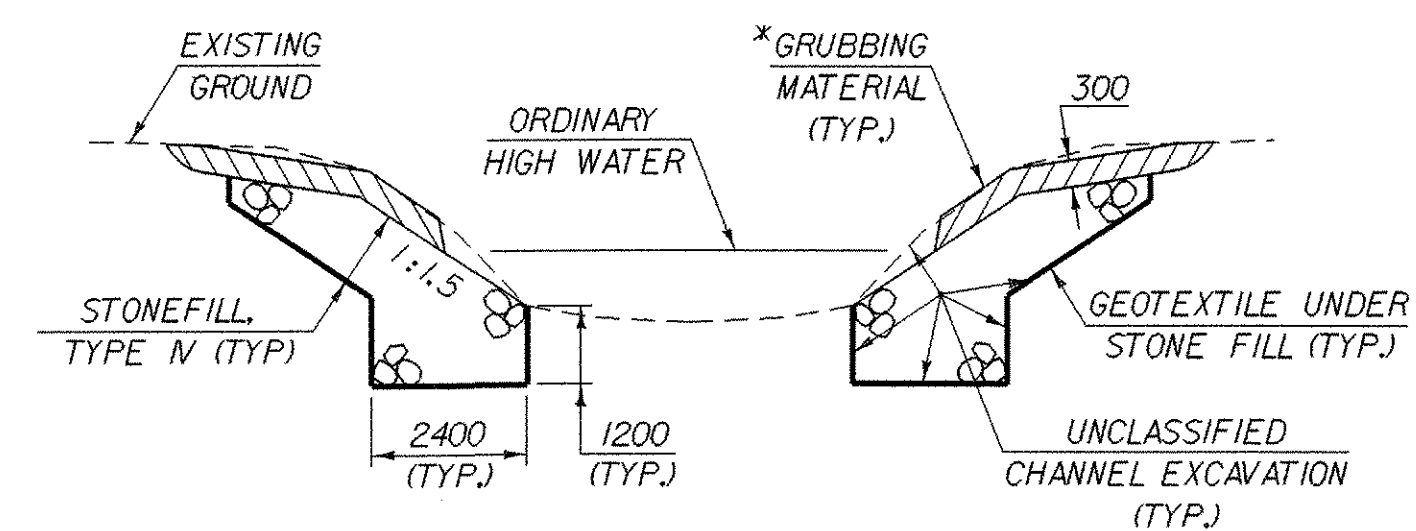


TYPICAL ABUTMENT SECTION

(NOT TO SCALE)

COFFERDAM NOTES

1. COFFERDAM LIMITS TO BE DETERMINED BY THE CONTRACTOR.
2. THE PAY LIMITS OF COFFERDAM EXCAVATION, EARTH\* AND "COFFERDAM EXCAVATION, ROCK" SHALL BE 600 OUTSIDE THE PERIMETER OF THE FOOTING, UP TO EXISTING GROUND OR BOTTOM OF SUBBASE, WHICHEVER IS LOWER.
3. 300 UNDERCUT AS DETERMINED NECESSARY BY THE RESIDENT ENGINEER.
4. ALL COFFERDAM EXCAVATION WHICH IS OUTSIDE THE INDICATED COFFERDAM PAY LIMITS SHALL BE PAID FOR AT THE CONTRACT UNIT PRICE FOR UNCLASSIFIED CHANNEL EXCAVATION.



TYPICAL CHANNEL SECTION

(NOT TO SCALE)

\*GRUBBING MATERIAL SHALL NOT BE PLACED ON THE STONE FILL IN THE AREA UNDER THE BRIDGE. WHENEVER CHANNEL SLOPE INTERSECTS ROADWAY SUBBASE, GRUBBING MATERIAL SHALL BEGIN AT THE BOTTOM OF SUBBASE.

TYPICAL SECTIONS

MATERIAL ITEM	TOLERANCE	PROJECT NAME:	MENDON
PAVEMENT	±5 mm TOTAL THICKNESS	PROJECT NUMBER:	BRO 1443(35)
BASE COURSE	±10 mm	FILE NAME:	/str5/95j290/sj290+yp.dgn
SUBBASE	±30 mm	PROJECT LEADER:	C. KELLER
SAND BORROW	±30 mm	DESIGNED BY:	M. EVANS-MONGEON
GRANULAR BORROW	±30 mm	FILE NAME:	s290+yp.i
		PLOT DATE:	18-NOV-2005
		DRAWN BY:	G. Shangraw
		CHECKED BY:	M.E.M.
		SHEET	3 OF 94