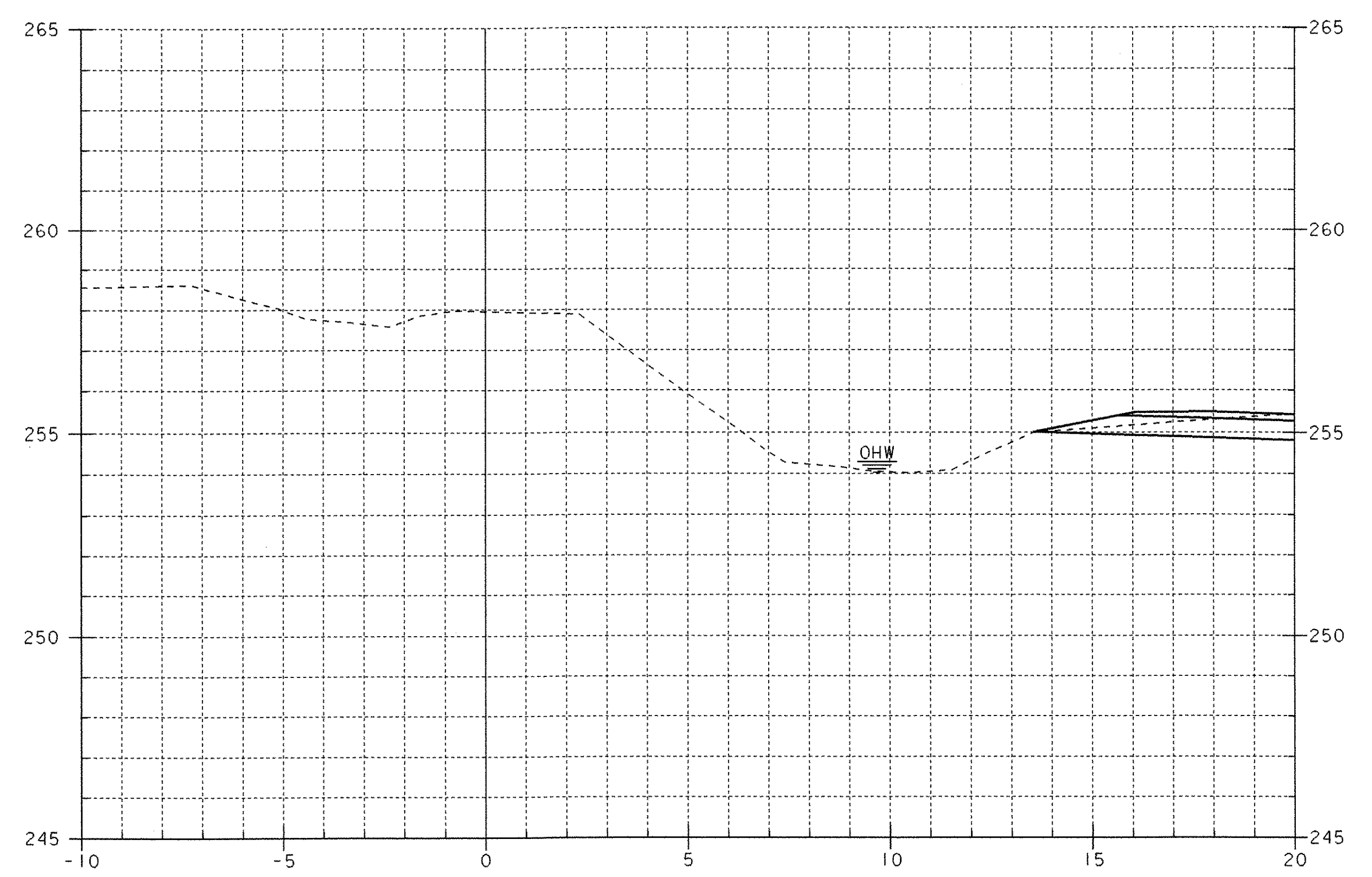


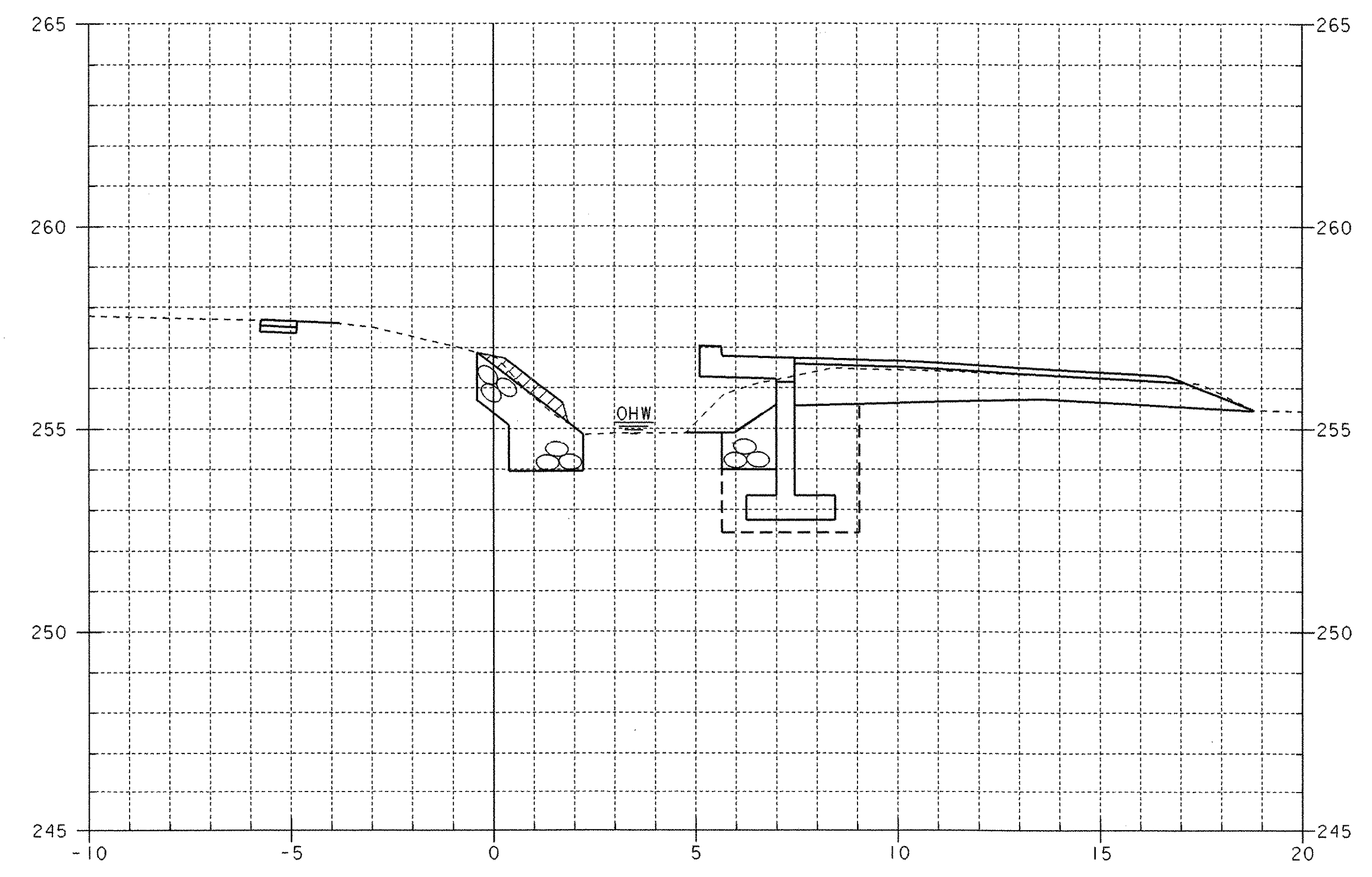
STA. 5+042.1 LT.
 END UNCLASS. CHANNEL EXCAVATION
 GEOTEXTILE UNDER STONE FILL
 STONE FILL, TYPE III
 GRUBBING MATERIAL

5+045

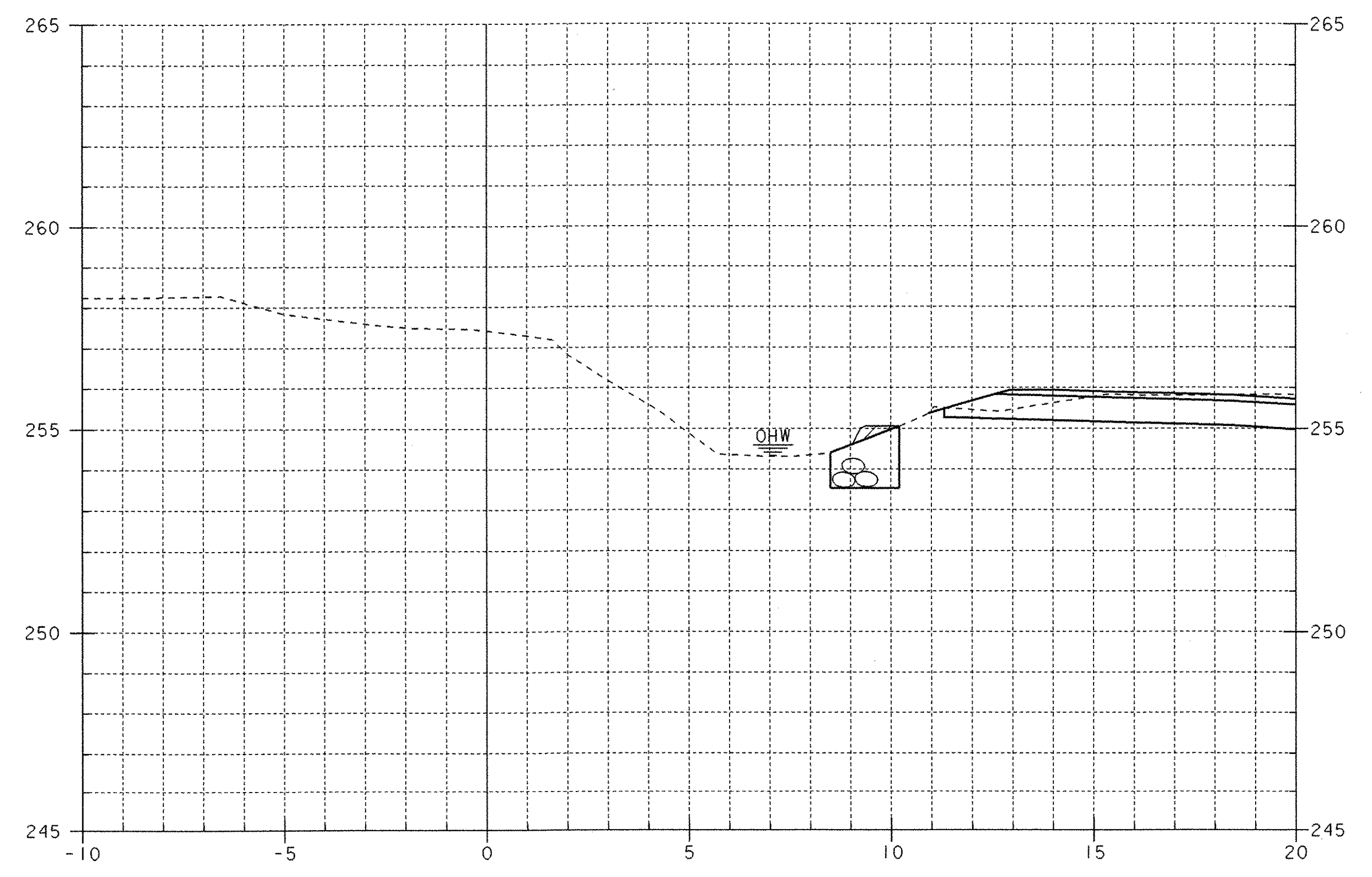


STA. 5+050.9 RT.
 END UNCLASS. CHANNEL EXCAVATION
 GEOTEXTILE UNDER STONE FILL
 STONE FILL, TYPE III
 GRUBBING MATERIAL

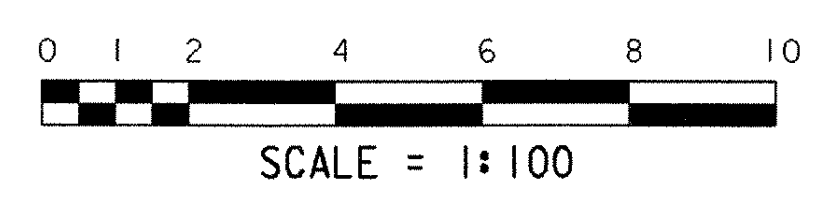
5+055



5+040



5+050



| | |
|-----------------------|-------------------------|
| PROJECT NAME: | WEATHERSFIELD |
| PROJECT NUMBER: | TH3 9514 |
| FILE NAME: | /s/r3/95j284/sj284c03.1 |
| PROJECT LEADER: | R. WHITCOMB |
| DESIGNED BY: | J. LACROIX |
| CHANNEL CROSS SECTION | |
| PLOT DATE: | 8/31/01 |
| DRAWN BY: | J. LACROIX |
| CHECKED BY: | S. SCRIBNER |
| SHEET | 31 OF 31 |