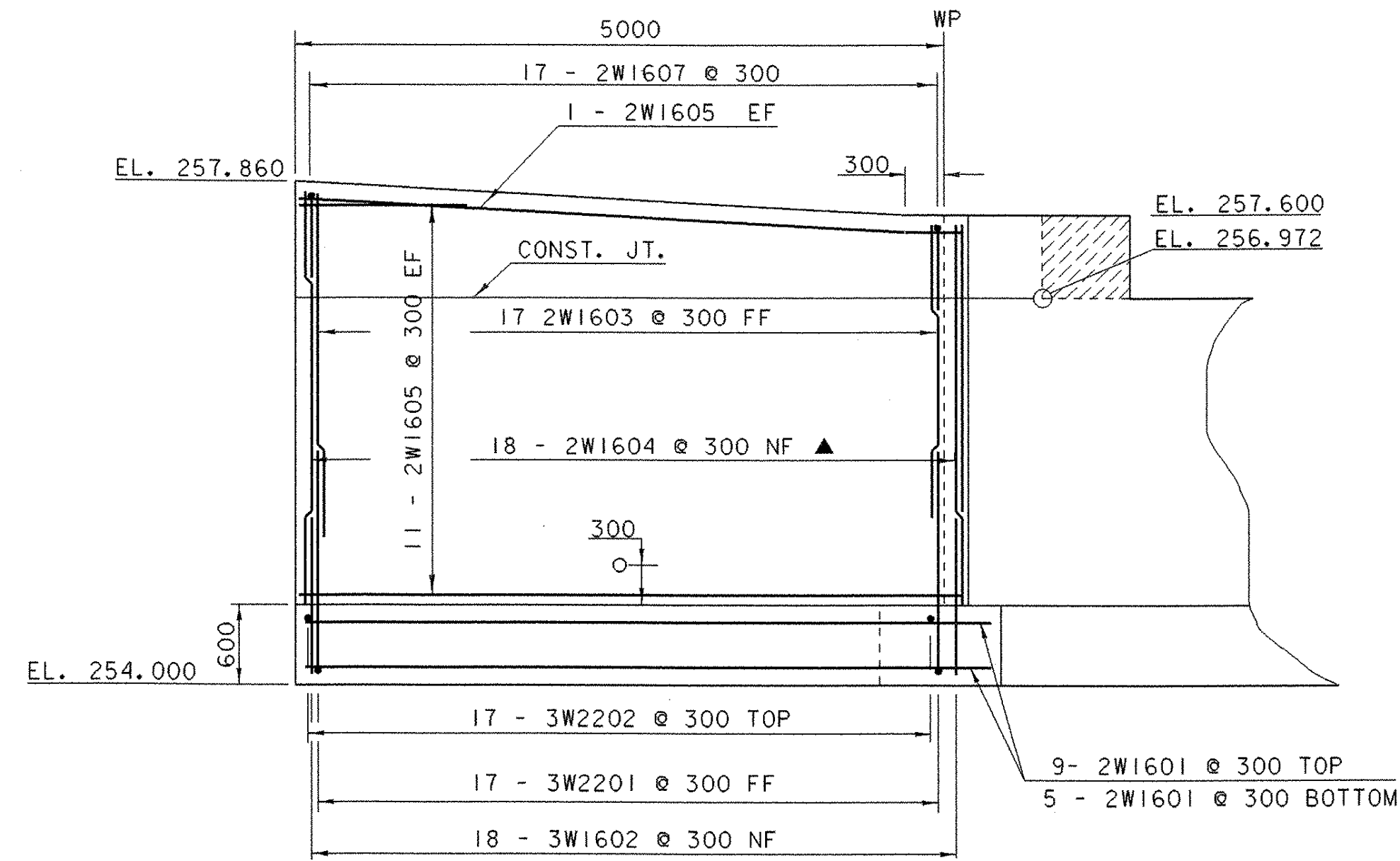
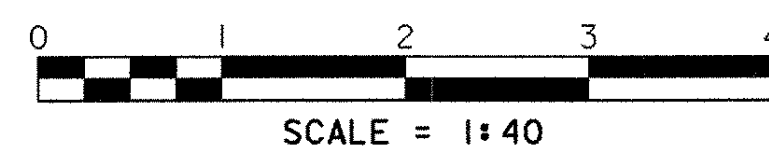
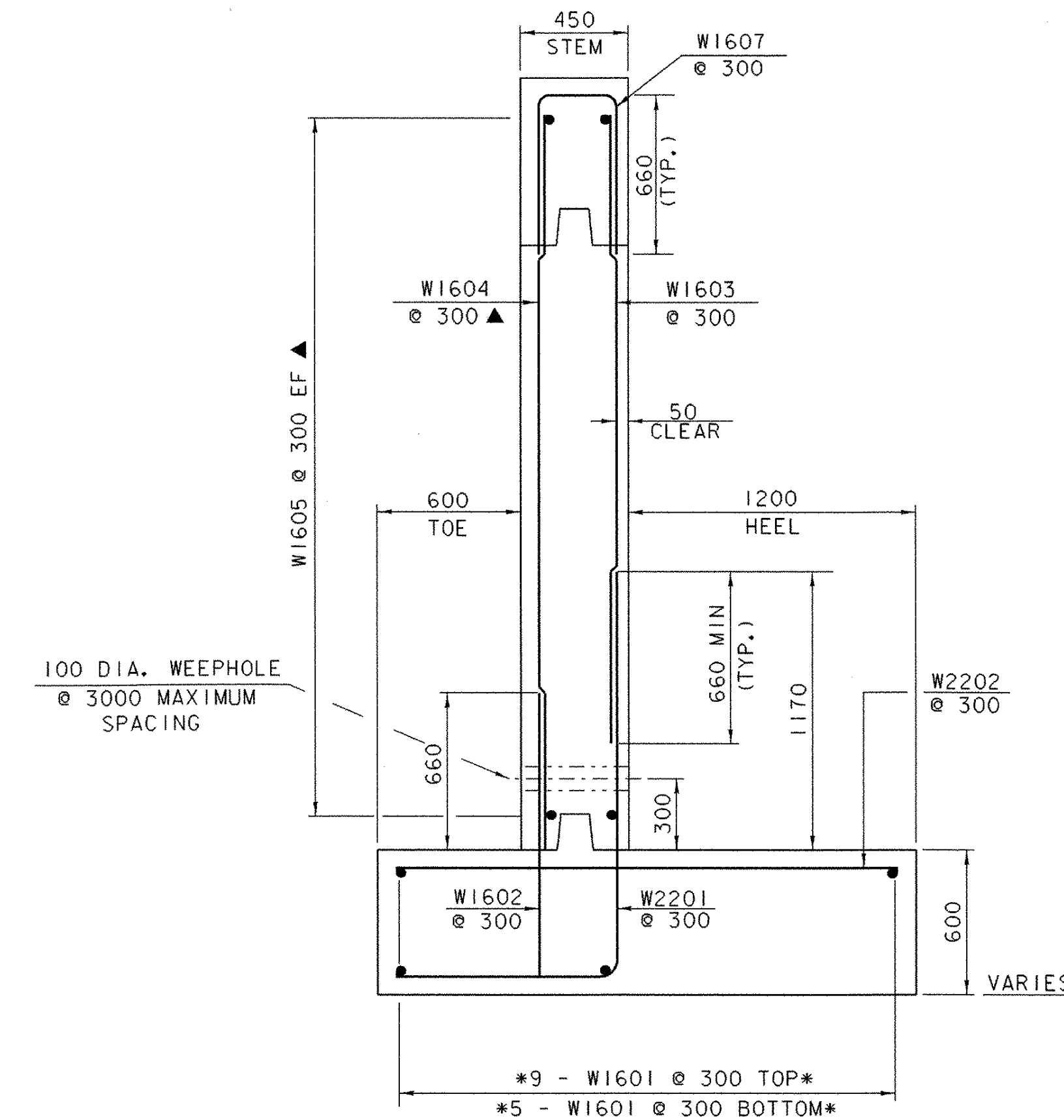
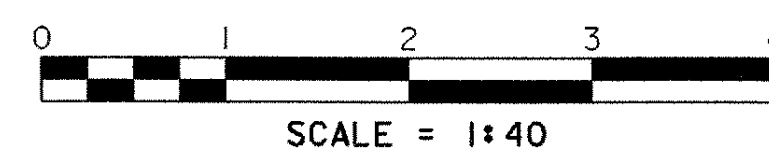


WINGWALL NO. 1 ELEVATION

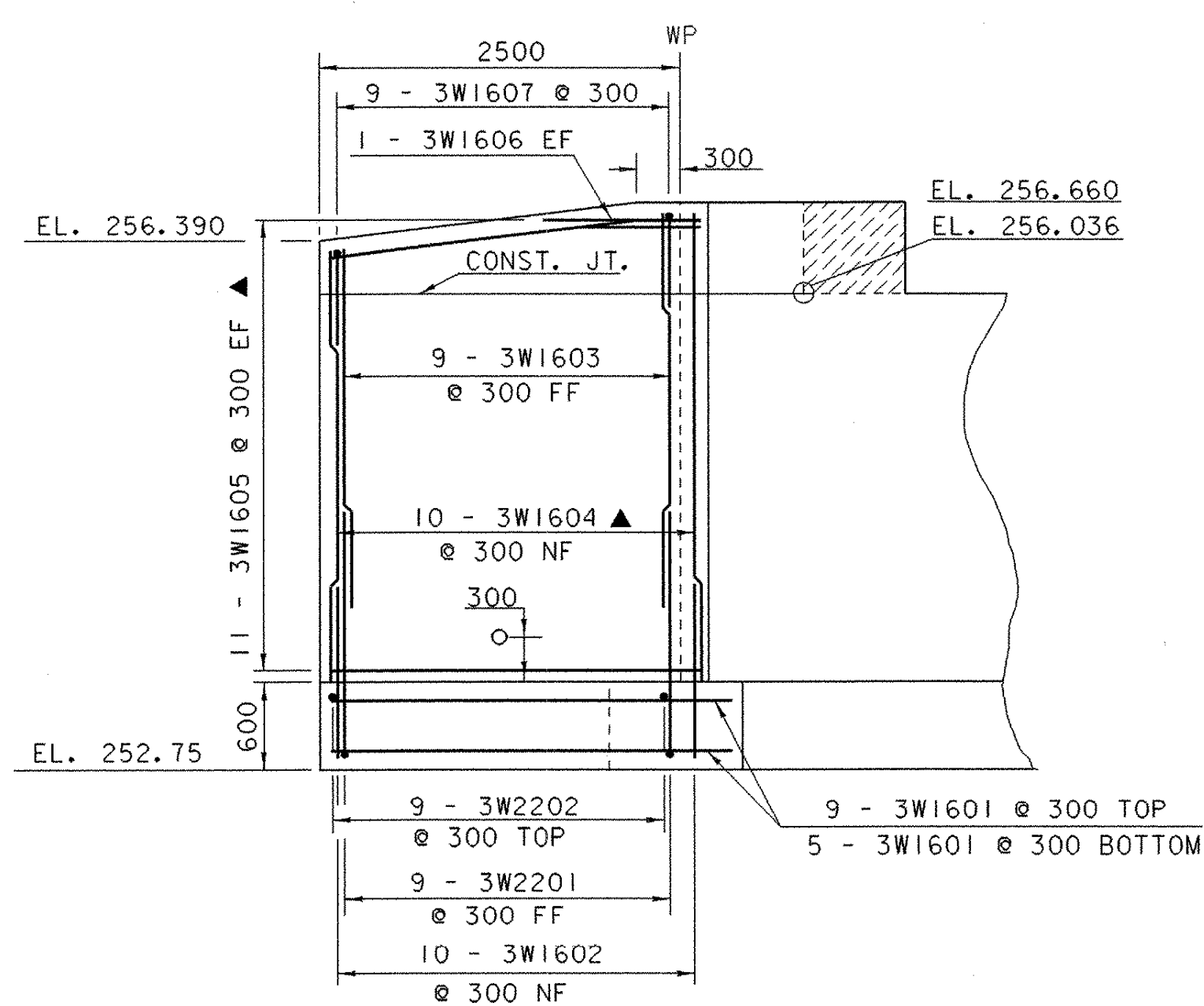
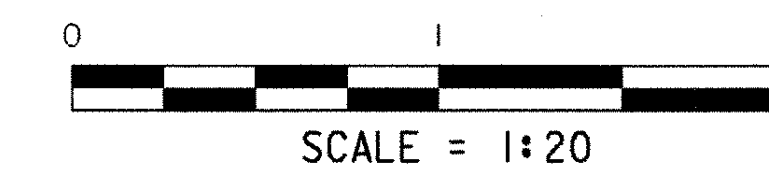


WINGWALL NO. 2 ELEVATION

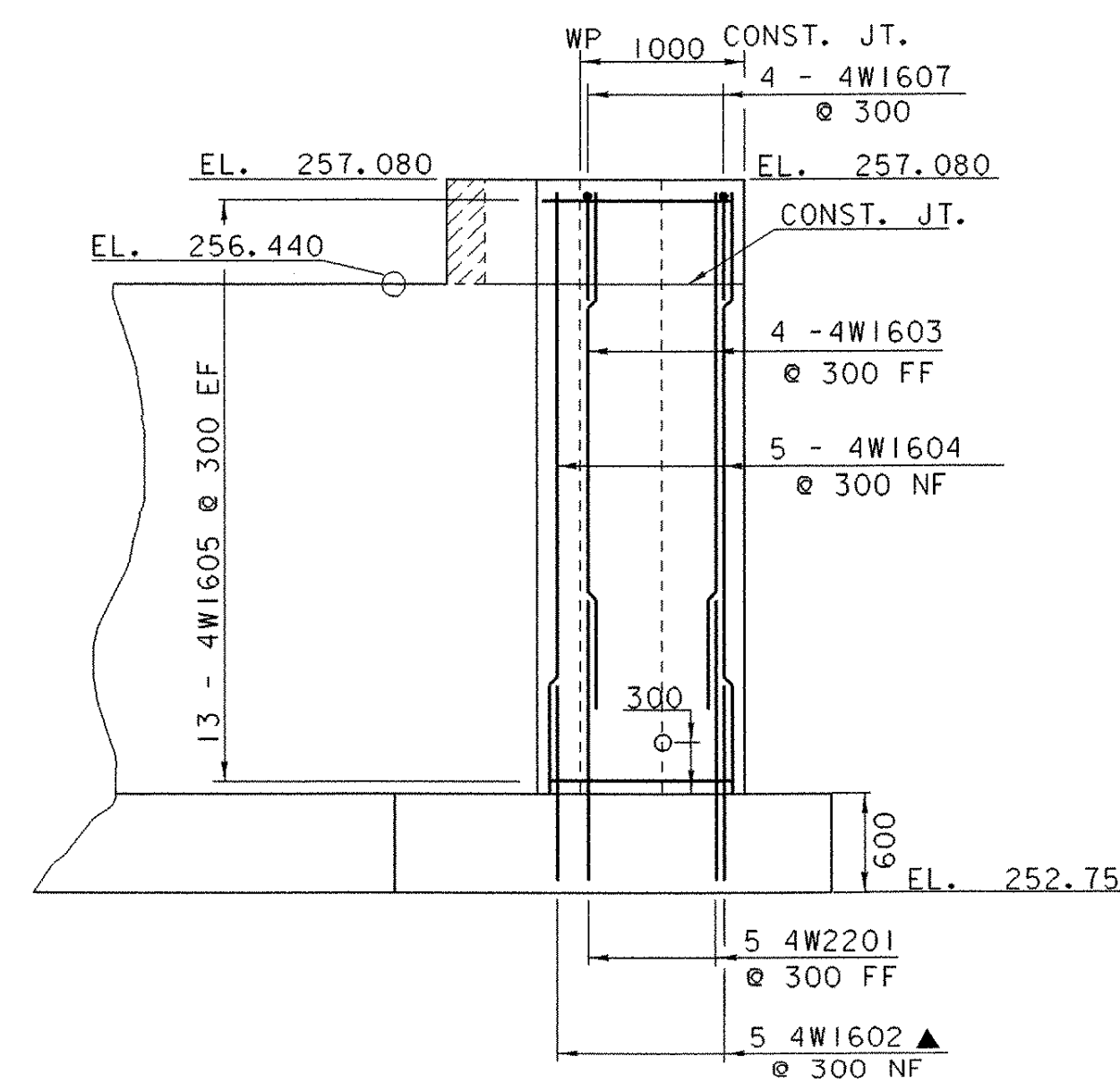
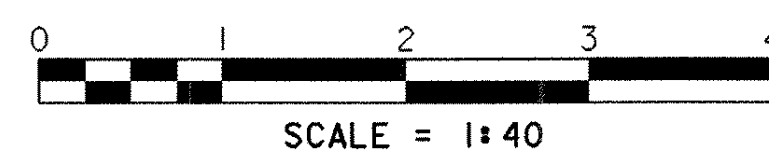


* BARS NOT USED FOR WINGWALLS 1 & 4

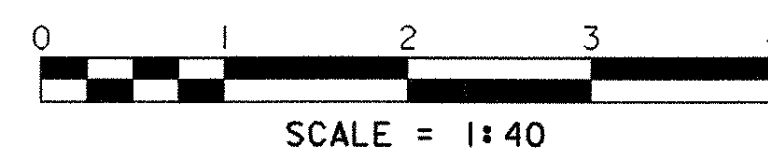
WINGWALL TYPICAL



WINGWALL NO. 3 ELEVATION



WINGWALL NO. 4 ELEVATION



NOTE:

- NF = NEAR FACE
- FF = FAR FACE
- EF = EACH FACE
- ▲ = CUT TO FIT IN FIELD

80 CLEAR UNLESS OTHERWISE SPECIFIED ON PLANS

STATE OF VERMONT AGENCY OF TRANSPORTATION	
Town Of WEATHERSFIELD	Bridge No. 24
Highway No. T.H. 32	Log Sta. T.H. 32 OVER CROWN POINT BROOK
WINGWALL DETAILS	
Designed By J.LACROIX	Drawn By J.LACROIX
Checked By T.A.SUMNER	Project Manager R.WHITCOMB
PROJECT WEATHERSFIELD	PROJECT NO. TH3 9514
I.G.C. Info. str3/95J284/sJ284ab.dgn	sJ284wwJ
Bridge Sheet No.	Sheet 20 of 31