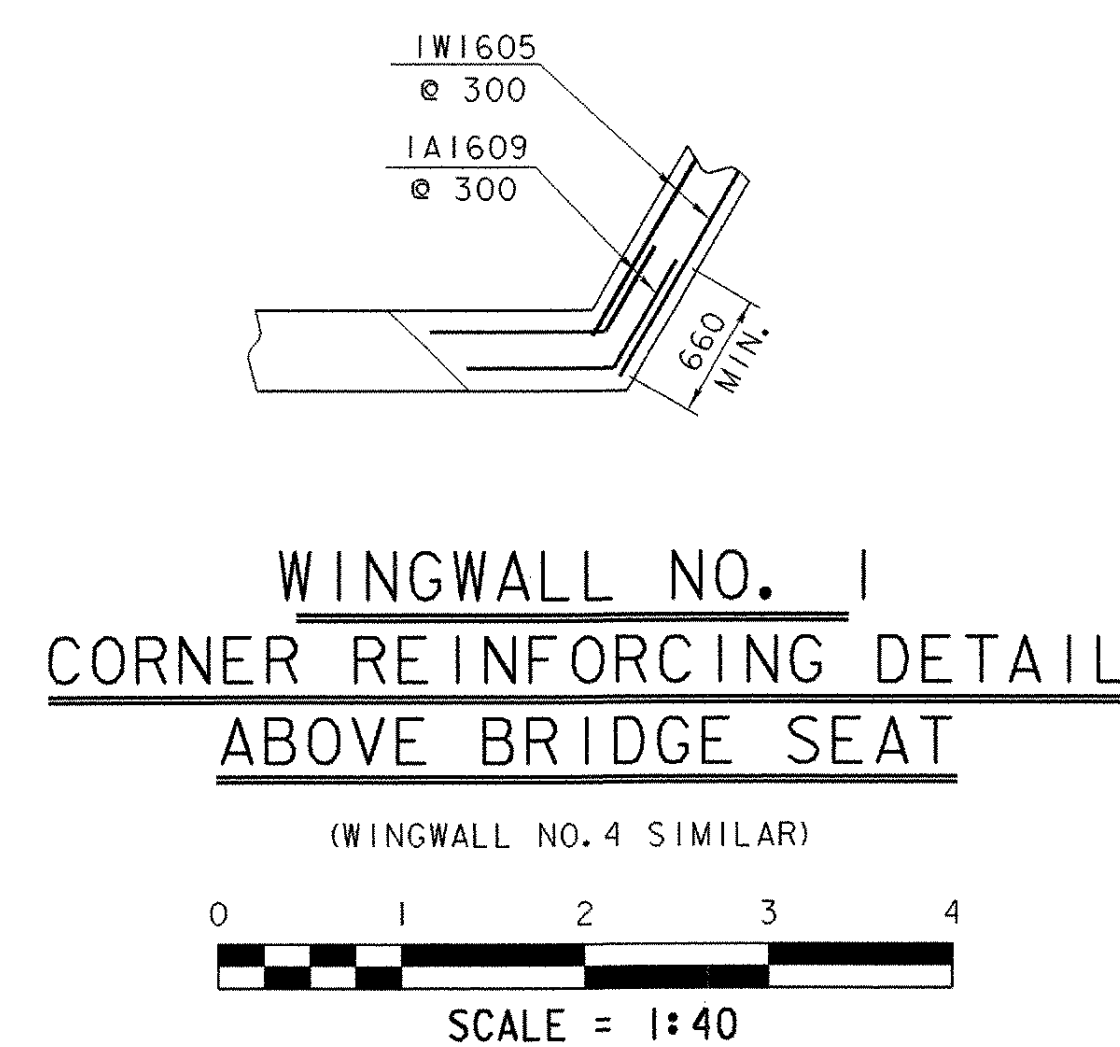
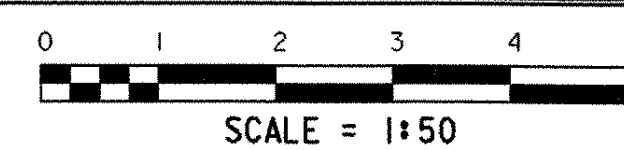
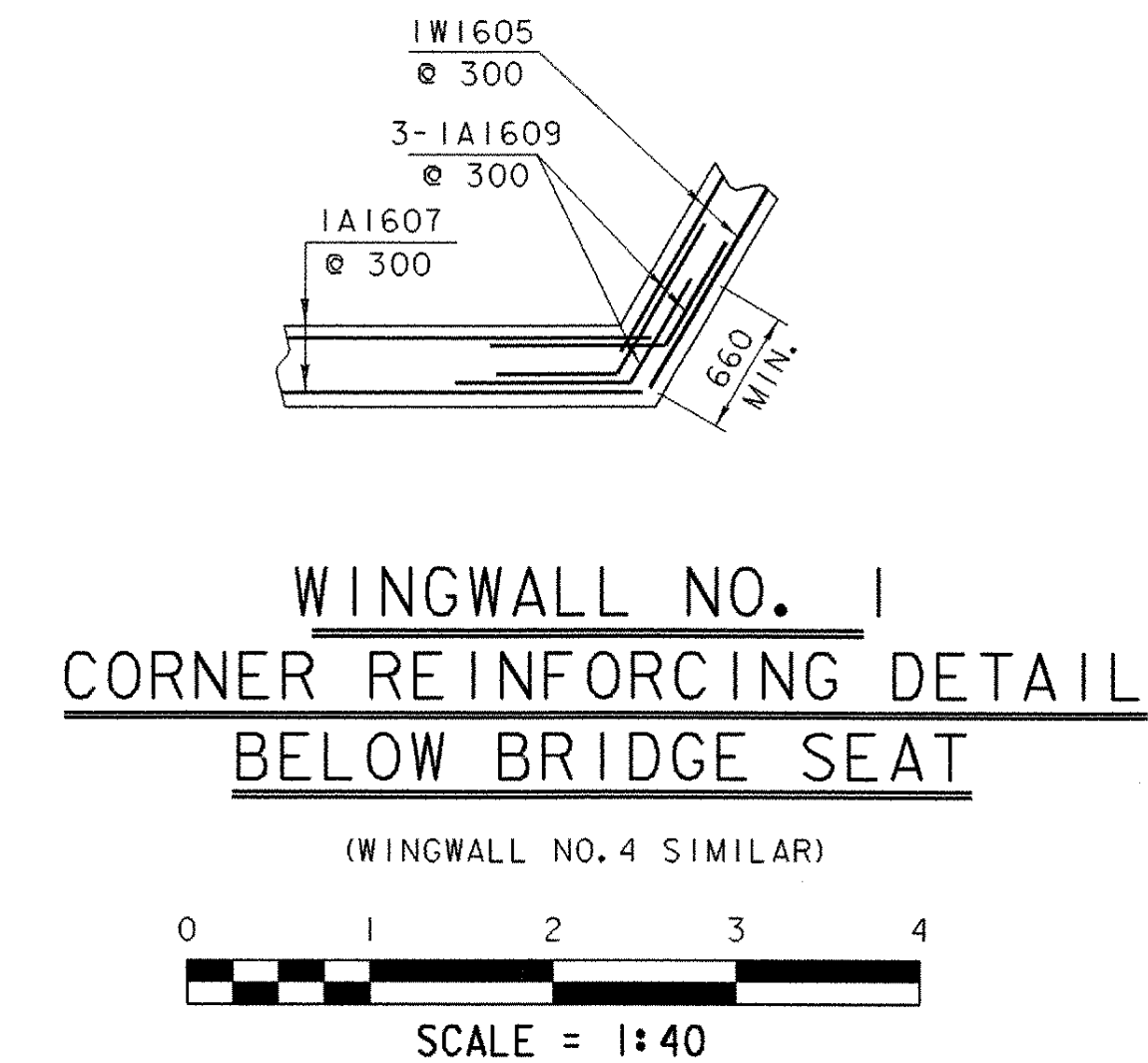
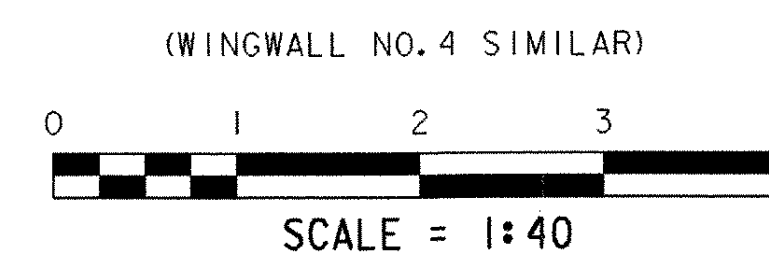


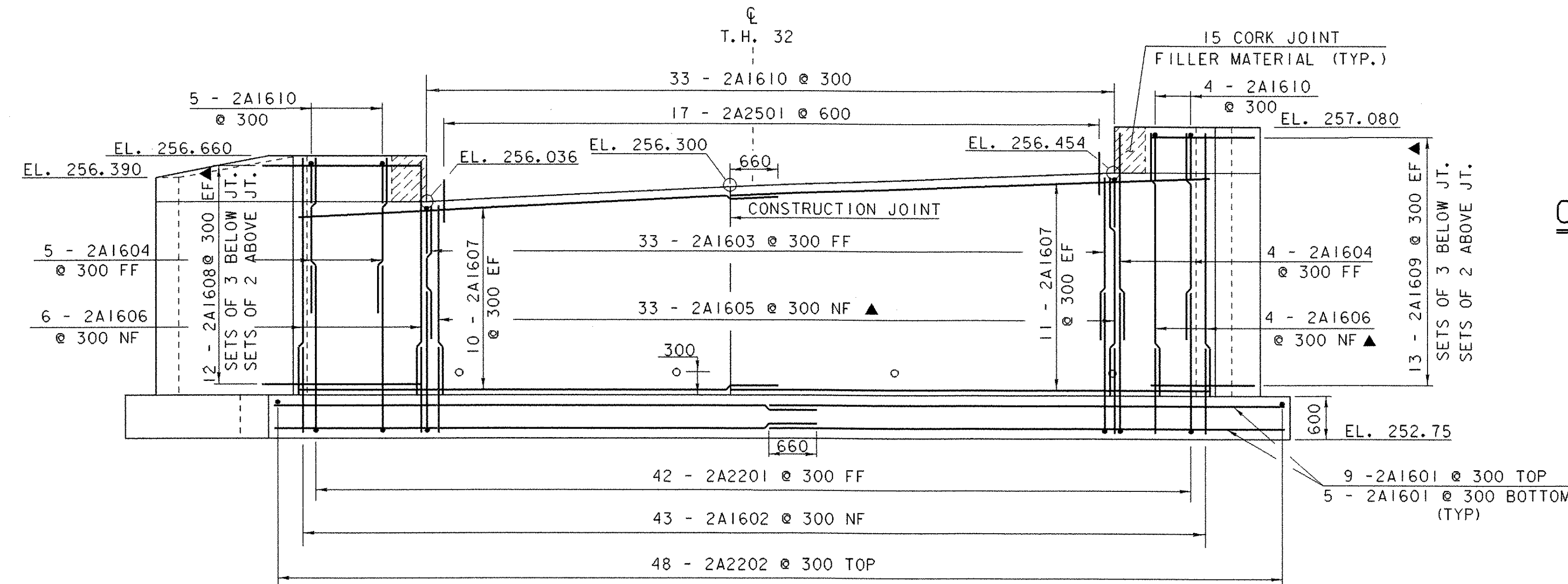
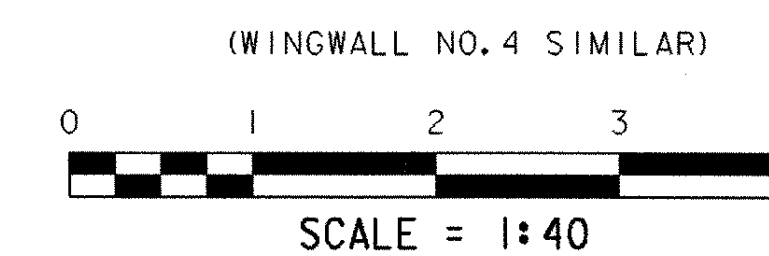
**ABUTMENT NO. 2 PLAN**



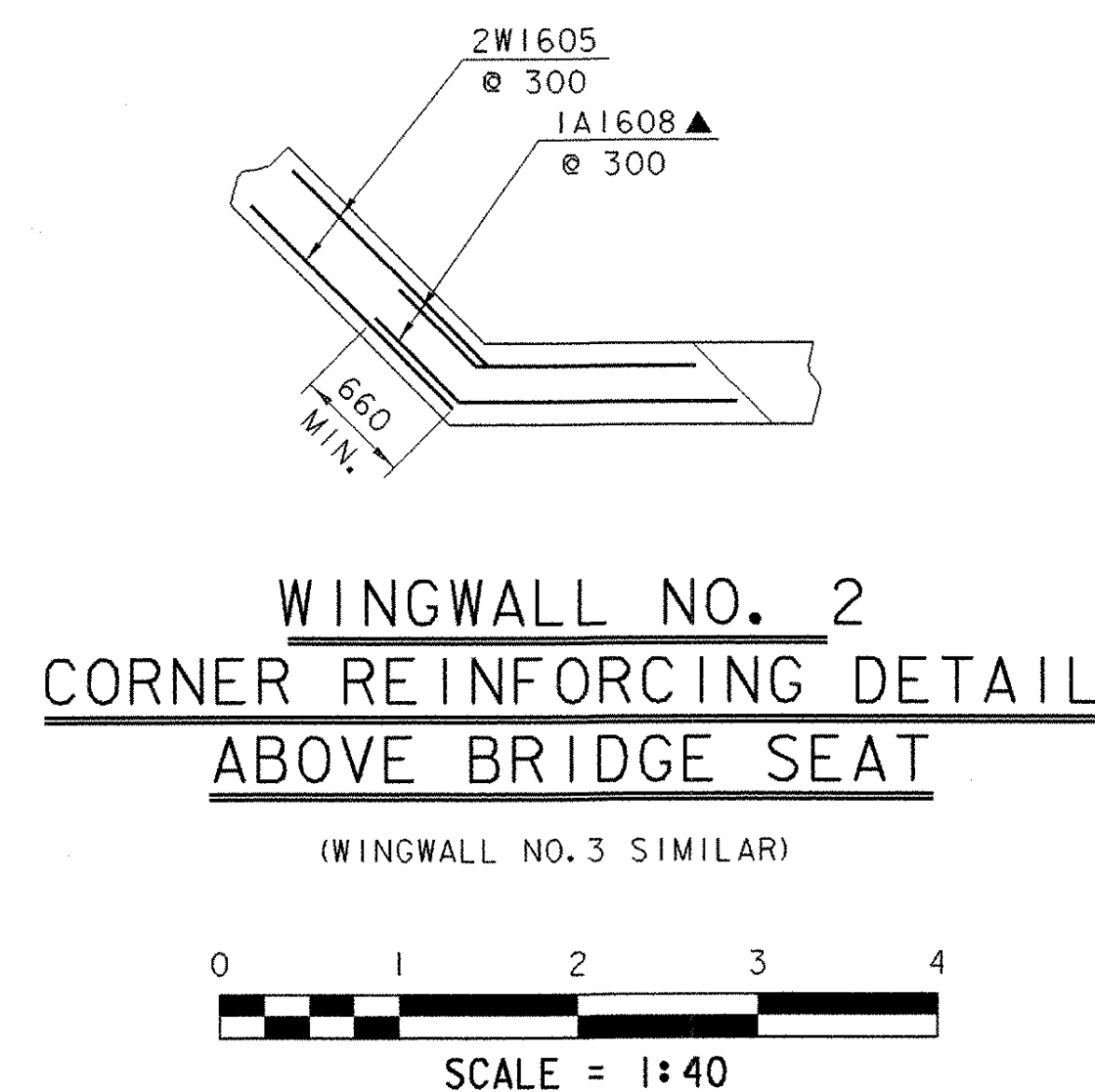
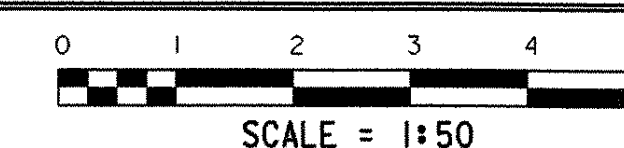
**WINGWALL NO. 1  
CORNER REINFORCING DETAIL  
ABOVE BRIDGE SEAT**



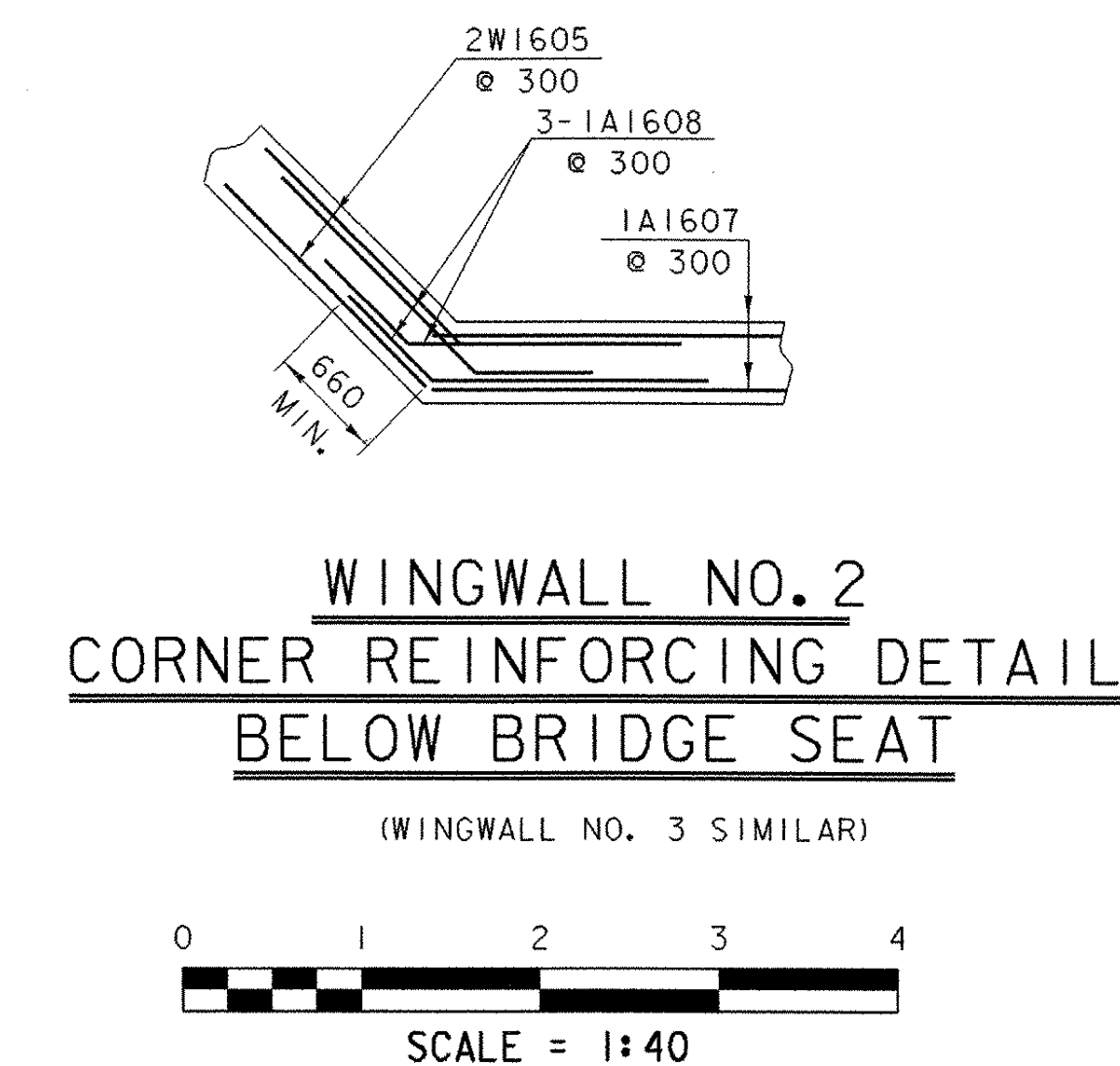
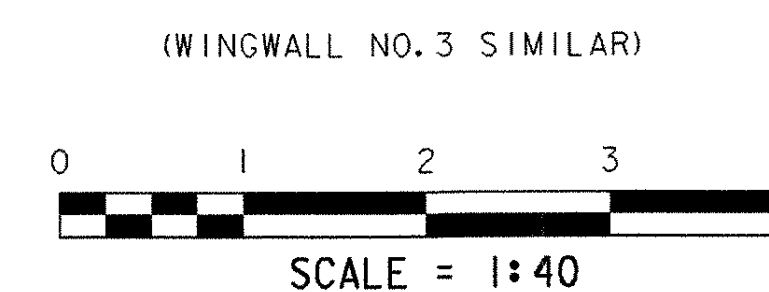
**WINGWALL NO. 1  
CORNER REINFORCING DETAIL  
BELOW BRIDGE SEAT**



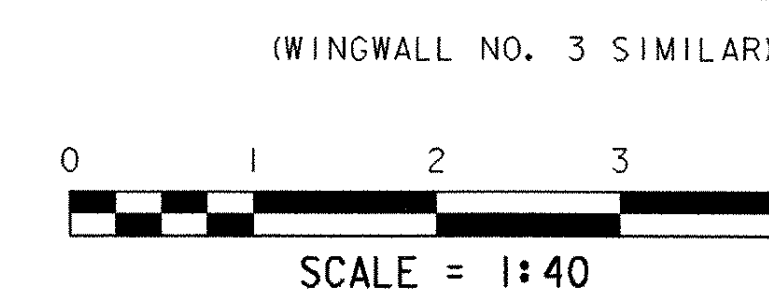
**ABUTMENT NO. 2 ELEVATION**



**WINGWALL NO. 2  
CORNER REINFORCING DETAIL  
ABOVE BRIDGE SEAT**



**WINGWALL NO. 2  
CORNER REINFORCING DETAIL  
BELOW BRIDGE SEAT**



**NOTE:**

- NF = NEAR FACE
- FF = FAR FACE
- EF = EACH FACE
- ▲ = CUT TO FIT IN FIELD

80 CLEAR UNLESS OTHERWISE SPECIFIED ON PLANS

<b>STATE OF VERMONT AGENCY OF TRANSPORTATION</b>	
Town Of <b>WEATHERSFIELD</b>	Bridge No. <b>24</b>
Highway No. <b>T.H. 32</b>	Log Sta. Surv. Sta.
<b>T.H. 32 OVER CROWN POINT BROOK</b>	
<b>ABUTMENT NO. 2 DETAILS</b>	
Designed By <b>J. LACROIX</b>	Drawn By <b>J. LACROIX</b>
Checked By <b>T.A. SUMNER</b> Date <b>9/10/01</b>	Project Manager <b>R. WHITCOMB</b> Date <b>9/10/01</b>
PROJECT <b>WEATHERSFIELD</b>	PROJECT NO. <b>TH3 9514</b>
I.G.C. Info. str.3/95j284/sj284abdgn s/j284ab2j	
Bridge Sheet No.	Sheet <b>19</b> of <b>31</b>