

PLAN VIEW

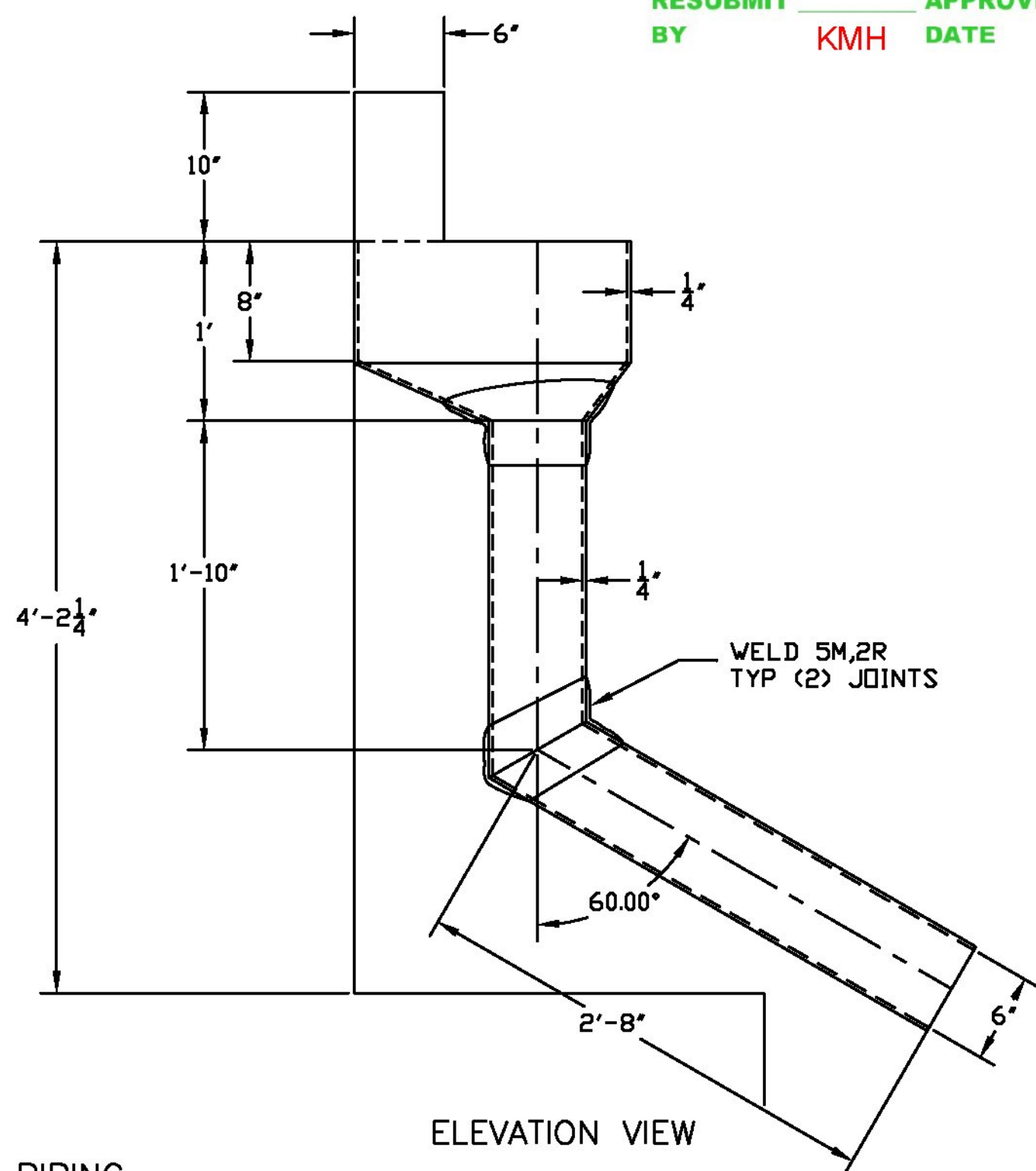
Vermont Agency of Transportation

**RECEIVED**

CK'D BY GMH OK'D BY JTS

September 12th, 2012

RESUBMIT            APPROVED X  
BY KMH DATE 9-13-12



ELEVATION VIEW

BRIDGE DRAIN PIPING

1/8" 100-10 MESH POLYESTER SURFACING VEIL  
1/8" 100-10 MESH POLYESTER SURFACING VEIL  
1/8" 100-10 MESH POLYESTER SURFACING VEIL

Custom Composites Fabricator For Industry  
**KENWAY CORPORATION**  
681 Riverside Drive  
Augusta, Maine 04330  
Voice (207) 622-6228  
Fax (207) 622-6911

RESIN: DERAKANE 510C-350	DATE: 8/3/12
LAYUP SCHEDULE: N-MMMM-MRM. TO THK	DRAWN: PAUL D
CORR BARRIER THK: .100	WORK ORDER: 7918
WALL THK: .25	SCALE: NONE
COLOR: GRAY THROUGHOUT	
CUSTOMER: T-BUCK CONSTRUCTION	DRAWING NO. 7918-1
REV. DATE DESCRIPTION	
B 9/7/12 CHANGED OVERALL DIMENSION TO 4'-2 1/4"	
A 8/21/12 CHANGED OVERALL DIMENSIONS TO 3'-8 AND 5'-3	