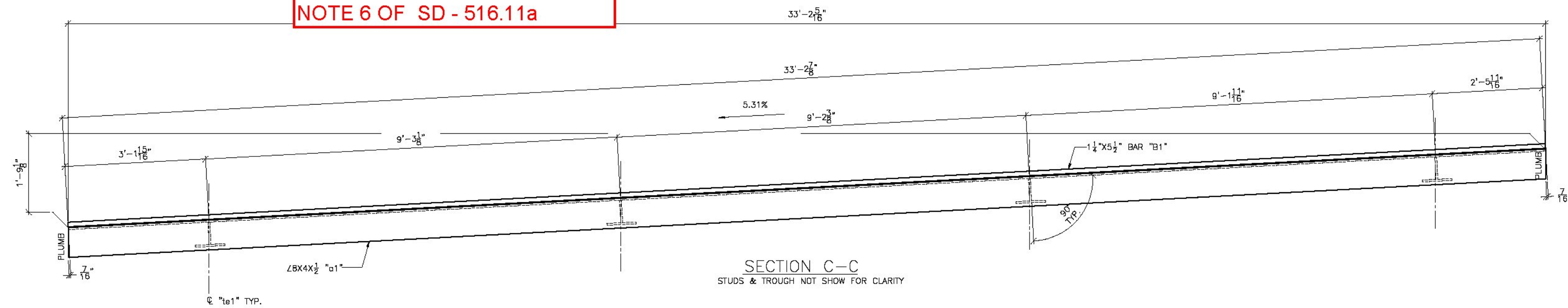


PROVIDE FIELD SPLICE & SEE NOTE 6 OF SD - 516.11a

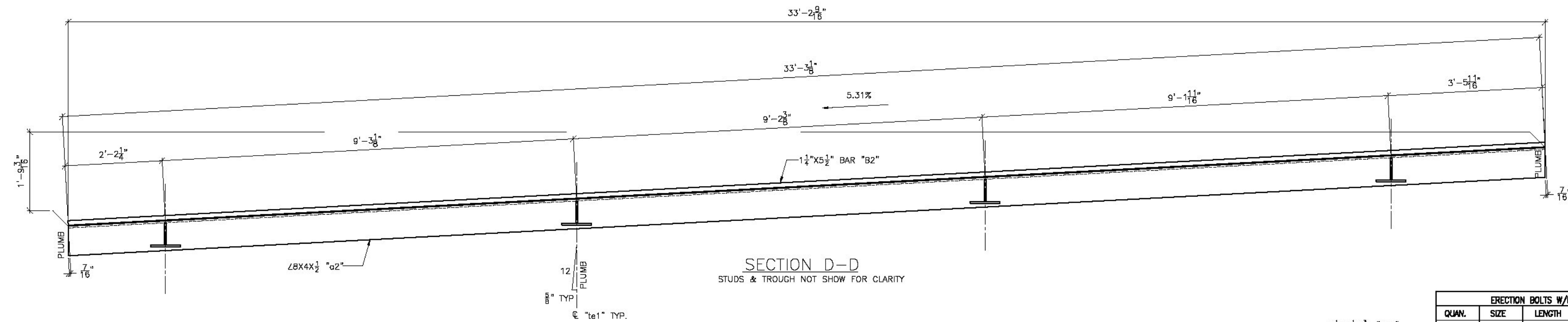
(Straight / Bent Studs Alternated)

PLAN VIEW

* INSIDE FACE OF ANGLES



SECTION C-C
STUDS & TROUGH NOT SHOWN FOR CLARITY



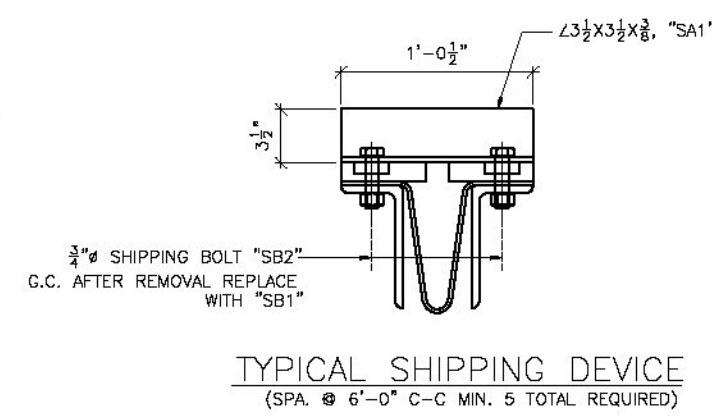
SECTION D-D
STUDS & TROUGH NOT SHOWN FOR CLARITY

NOTES:

1. THE EXPANSION JOINT SHALL BE SHOP ASSEMBLED AND SHIPPED AS ONE UNIT. SHOP TO LOCATE AND ATTACH TEMPORARY SHIPPING DEVICES AS REQ'D.
2. ALL EXPOSED CUT OR SHEARED EDGES SHALL BE ROUNDED TO A 1/8" RADIUS AND BE FREE OF BURRS PRIOR TO GALVANIZING.
3. SEAL WELD ALL CONNECTIONS, WHERE POSSIBLE, PRIOR TO GALVANIZING.

ONE REQ'D EXPANSION JOINT @ ABUT. #1, MARK "EJ1"
DIMENSIONS SHOWN ARE ALONG INSIDE FACE OF ANGLE U.O.N.

Vermont Agency of Transportation
RECEIVED
 CK'D BY GML OK'D BY JTS
 2:13 pm, Feb 22, 2012
 RESUBMIT APPROVED AS NOTED
 BY KMH DATE 2-28-12



TYPICAL SHIPPING DEVICE
(SPA @ 6'-0" C-C MIN. 5 TOTAL REQUIRED)

ERECTOR BOLTS #/ALUM.				WASHERS		FINISH	
QUAN.	SIZE	LENGTH	TYPE	PLAT	REV.	BAULK	ASHTO W&C
FINISH: HOT DIPPED GALVANIZED							
MATERIAL: ANGIO M270 GR. 36							
HOLES: AS NOTED							
ELECTRODES: PER W.P.S.							
WELDS: AS NOTED							
SURFACE PREP: SSPC-SP8							
NO.		DATE		DESCRIPTION		BY	
REVISIONS							
				ADVANCED RESOURCES & CONST. ENTERPRISES, INCORPORATED P.O. BOX 120 KINGFIELD, ME. 04847 PHONE: (207) 955-5546 - FAX: (207) 955-4054			
DRAWN: JAC	EXPANSION JOINT DETAILS			PROJECT NO.			
DATE: 2/8/12	VERMONT AGENCY OF TRANSPORTATION,			BRD 1442(26)			
CHECKED: MTD	TOWN OF SPRINGFIELD, TH 8 CLASS III, LOCAL ROAD			DWG. NO.			
JOB: 11-175	C.C. T. BUCK CONSTRUCTION, INC.			1			