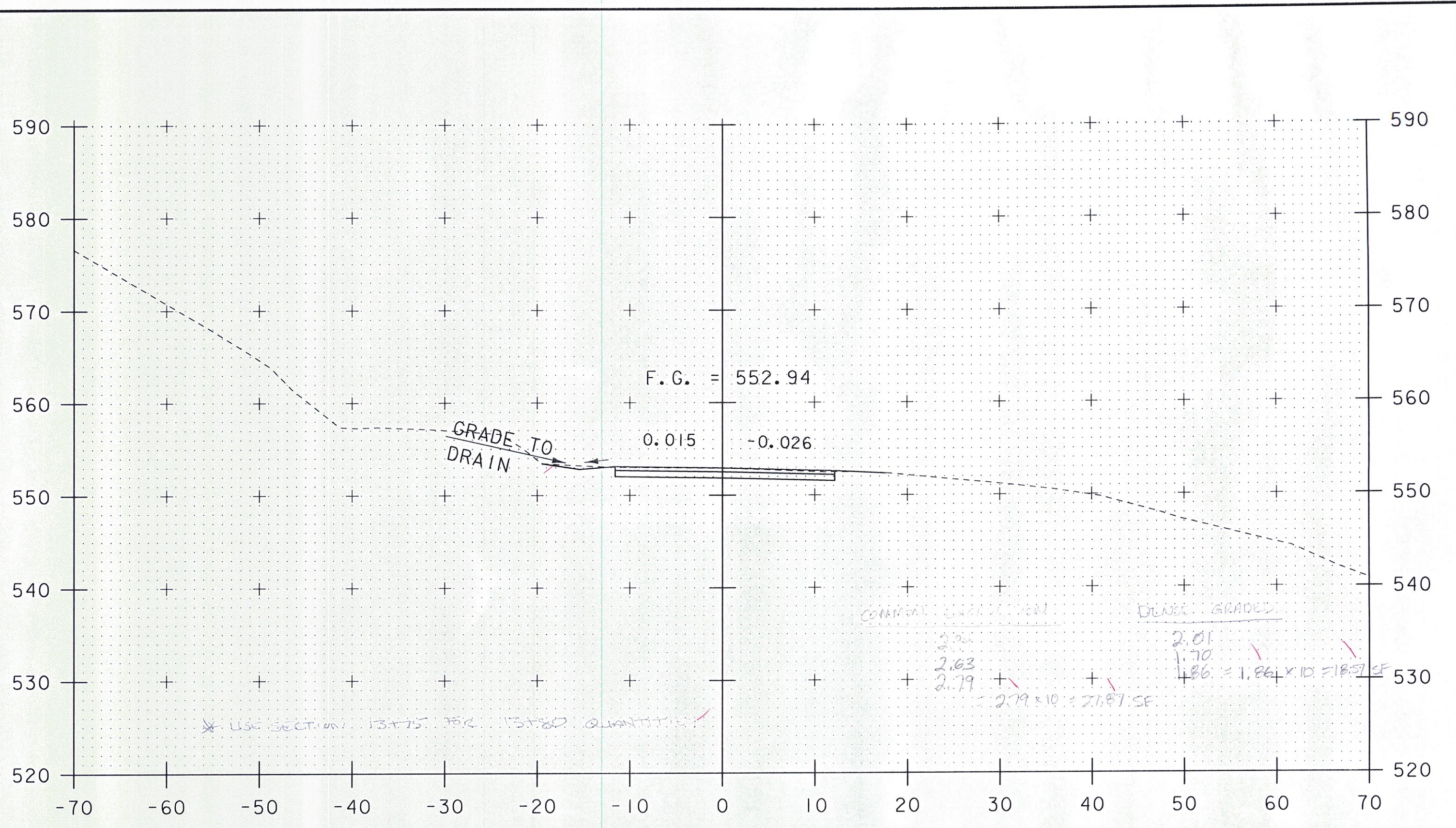
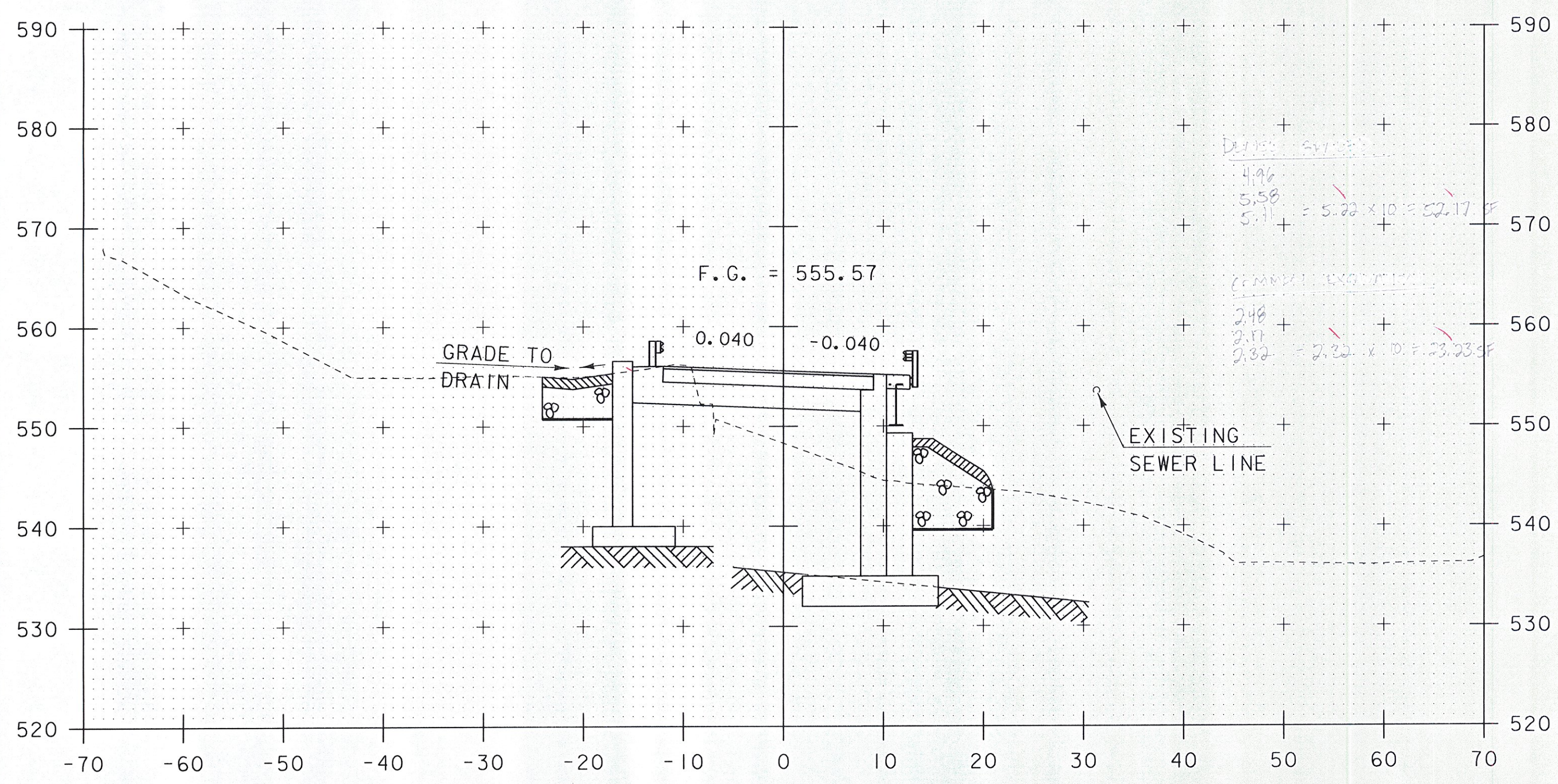


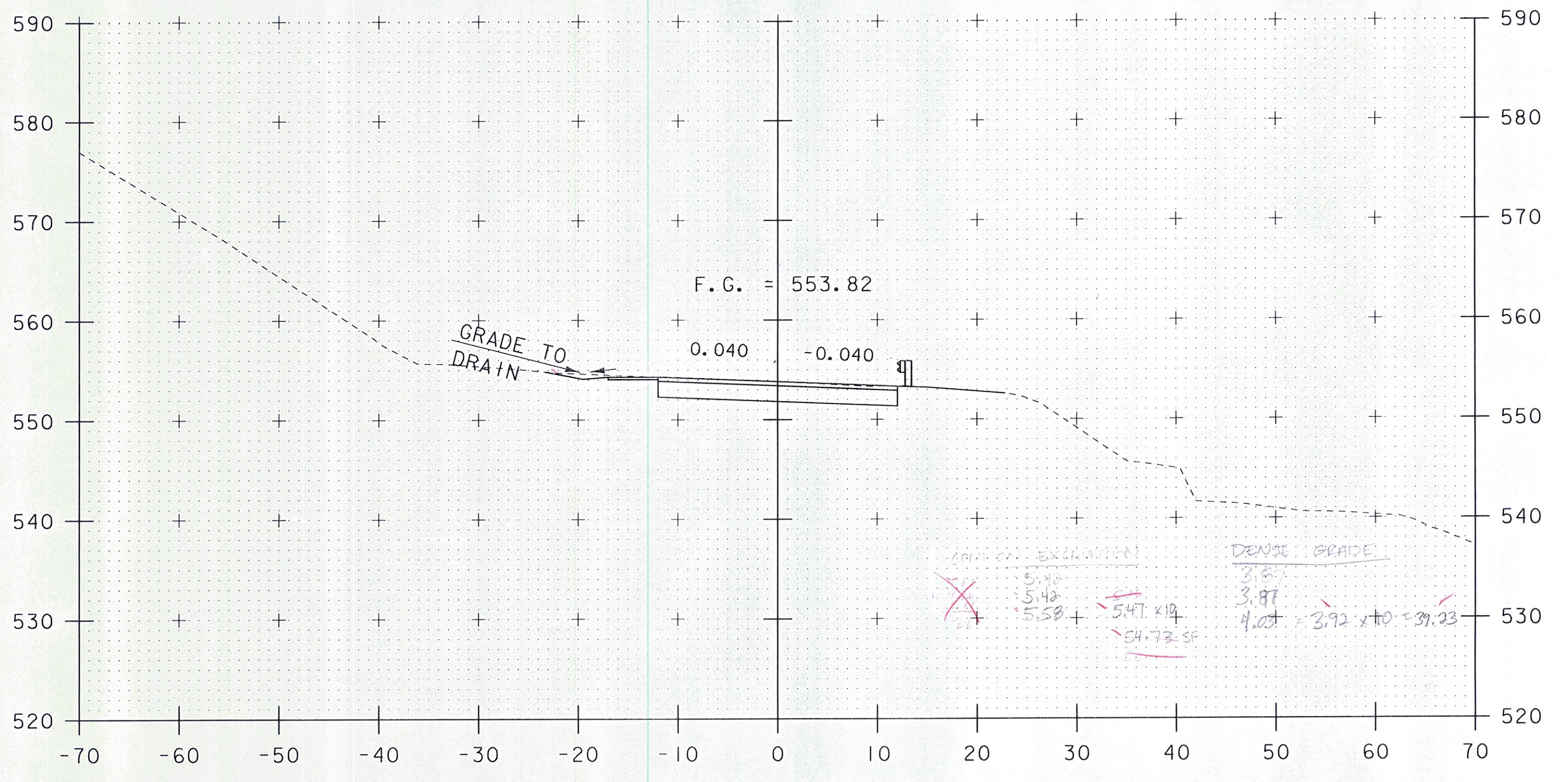
13+25



13+75

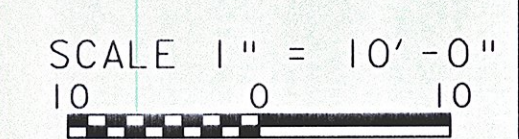


13+00



END PROJECT
13+50

* USE SECTION 15000 FOR 12+87.48 QUANTITIES



STA. 13+00 TO STA. 13+75

PROJECT NAME:	SPRINGFIELD	FILE NAME:	s95J282xsl.dgn	PLOT DATE:	30-AUG-2011
PROJECT NUMBER:	BRO 1442(26)	PROJECT LEADER:	K. HIGGINS	DRAWN BY:	J. SALVATORI
		DESIGNED BY:	J. SALVATORI	CHECKED BY:	J. LACROIX
		ROADWAY CROSS SECTIONS - 4		SHEET	47 OF 52