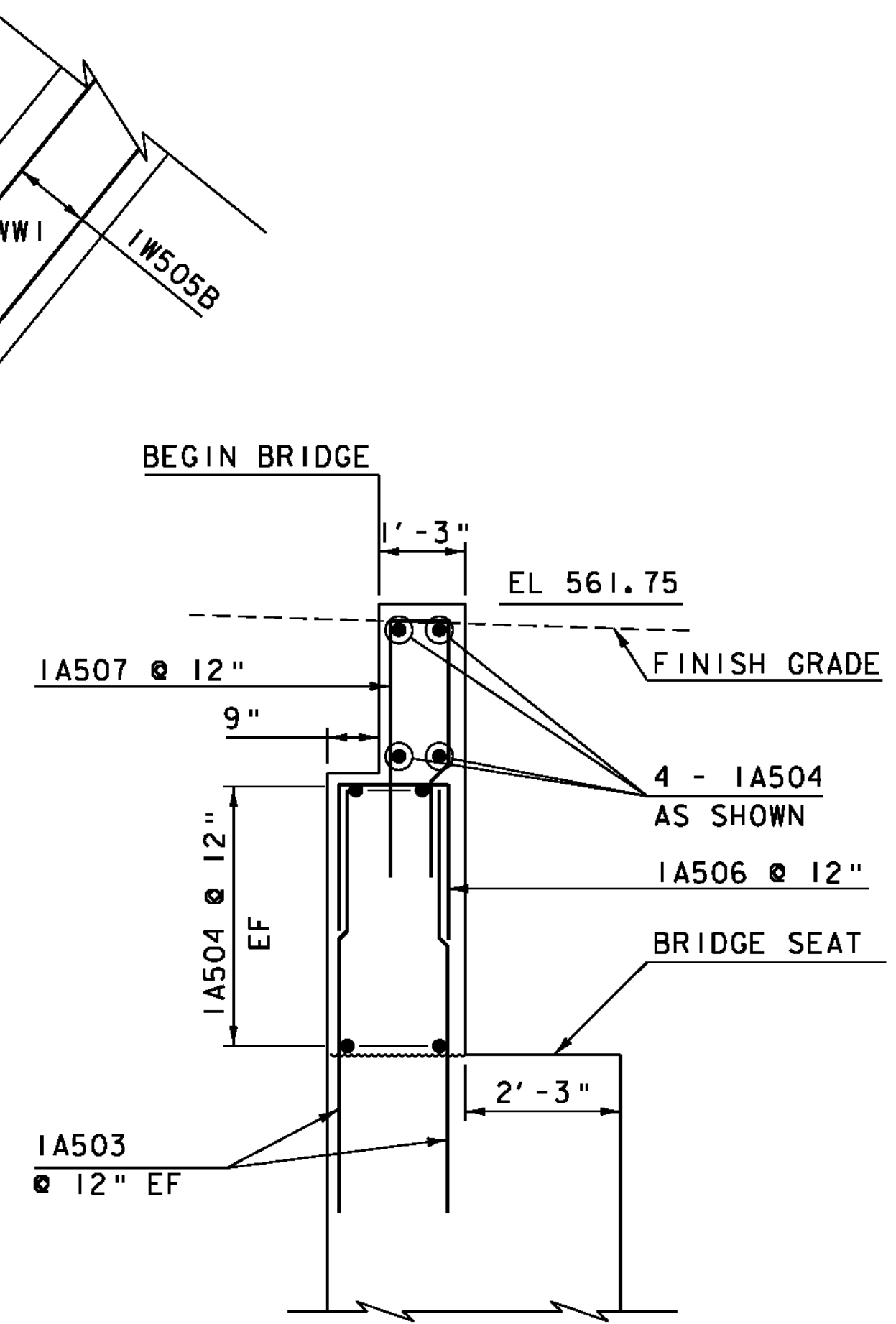
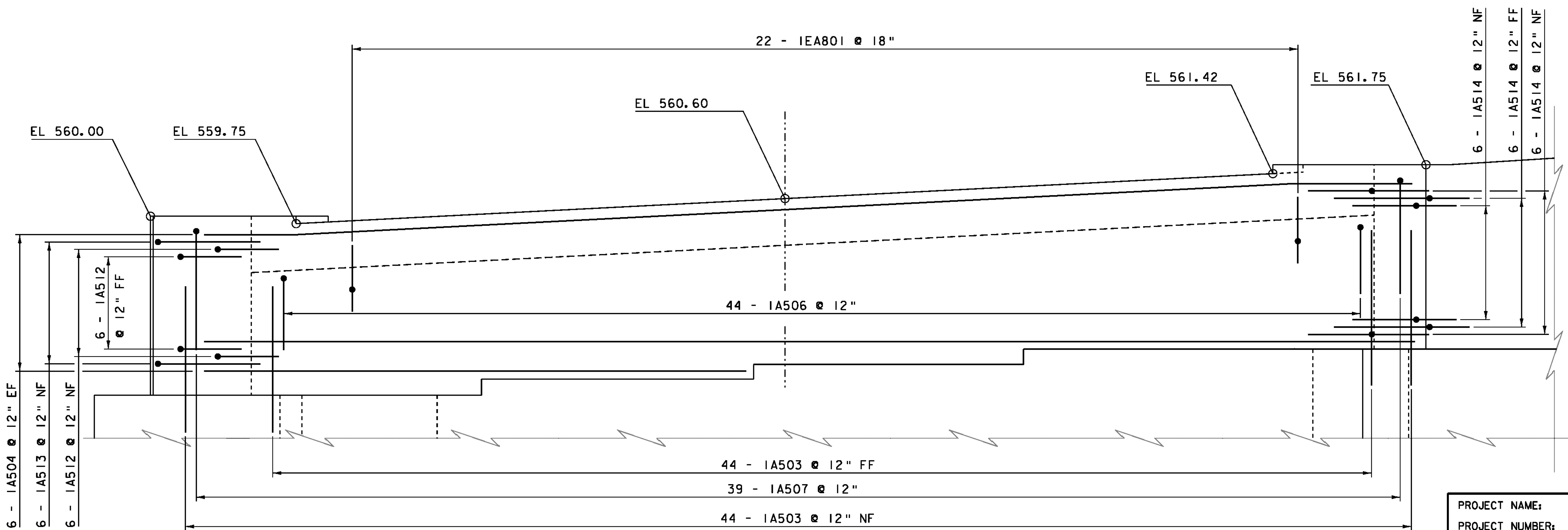


ABUTMENT I BACKWALL
PLAN VIEW
 SCALE 1/2" = 1'-0"



ABUTMENT I BACKWALL
SECTION A-A
 SCALE 1/2" = 1'-0"



ABUTMENT I BACKWALL
ELEVATION VIEW
 SCALE 1/2" = 1'-0"

NOTE:
 NF = NEAR FACE
 FF = FAR FACE
 EF = EACH FACE
 ▲ = CUT TO FIT IN FIELD
 3" CLEAR, UNLESS OTHERWISE
 SPECIFIED ON THE PLANS.
 2'-2" BAR LAP UNLESS OTHERWISE
 SPECIFIED ON THE PLANS.

PROJECT NAME:	SPRINGFIELD	FILE NAME:	s95j282sub.dgn	PLOT DATE:	30-AUG-2011
PROJECT NUMBER:	BRO 1442(26)	PROJECT LEADER:	K. HIGGINS	DRAWN BY:	R. PELLETT
		DESIGNED BY:	J. GRIFFIN	CHECKED BY:	J. LACROIX
		ABUTMENT I BACKWALL DETAILS			SHEET 33 OF 52