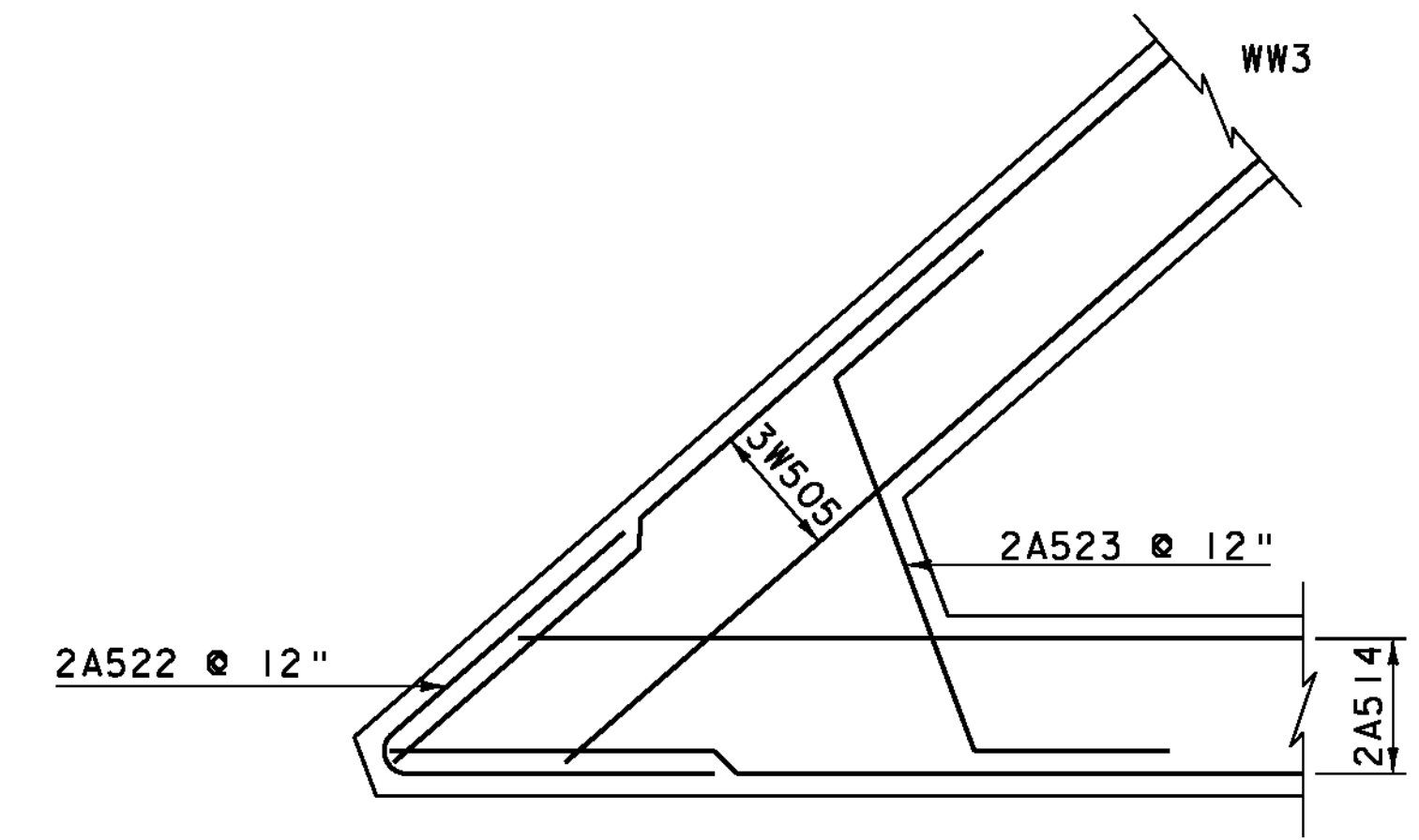
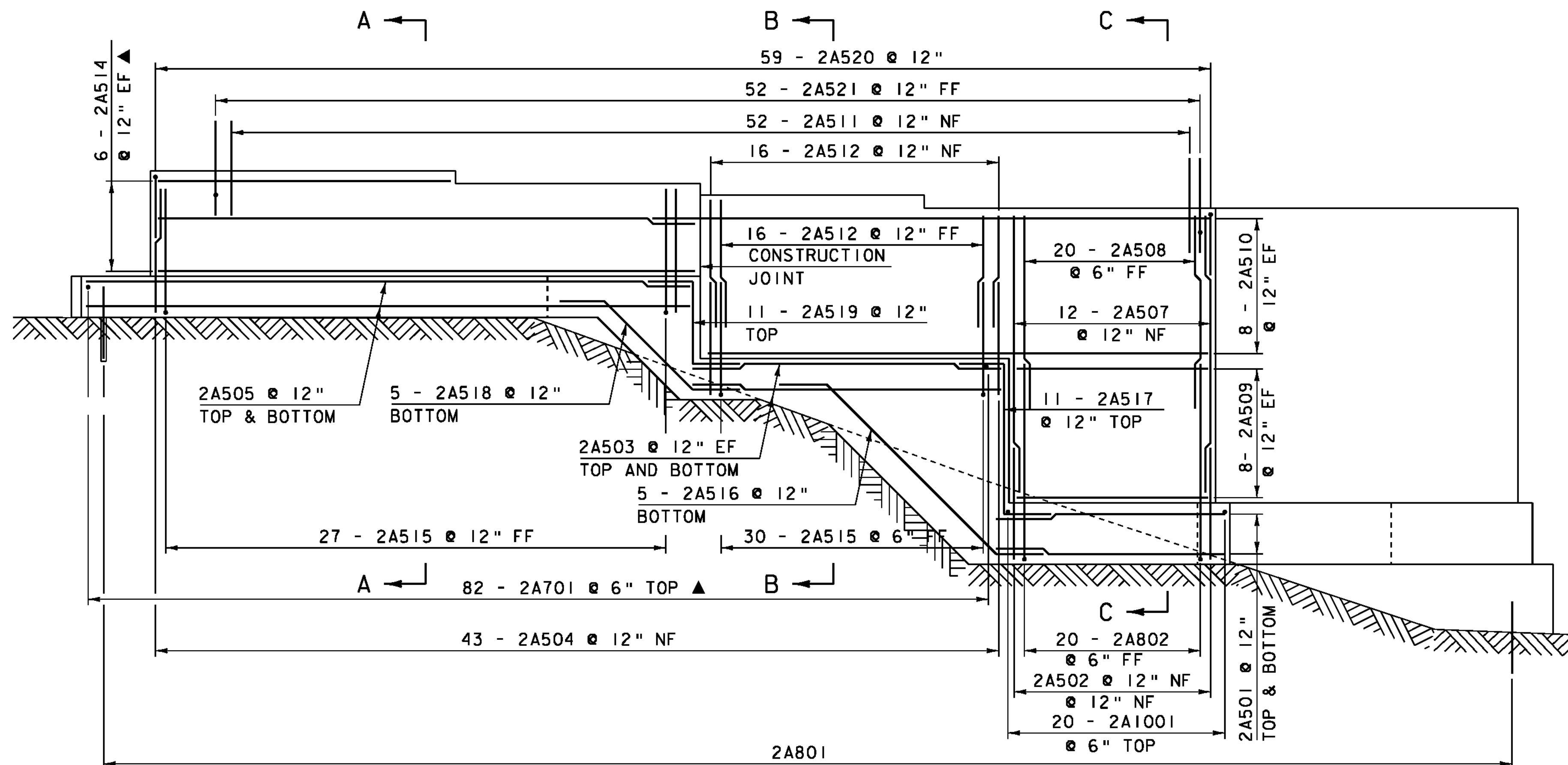


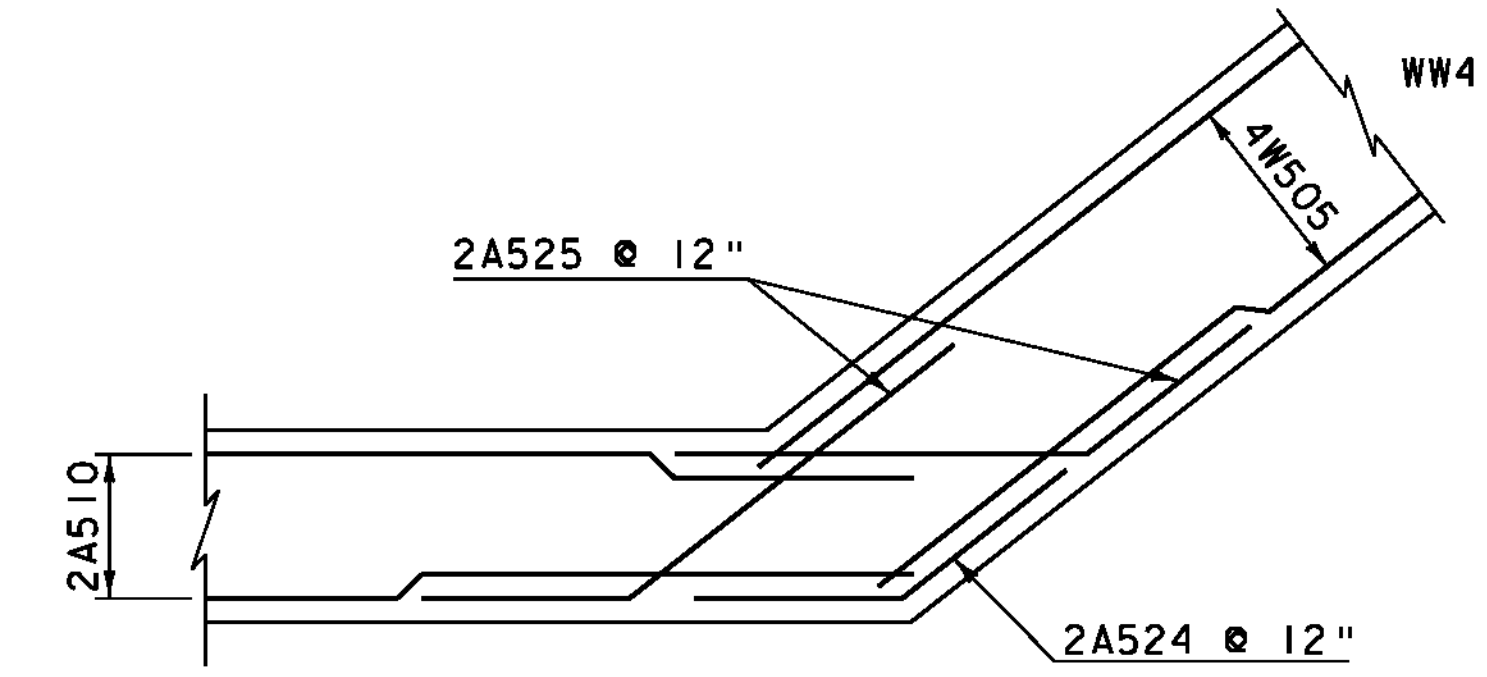
ABUTMENT 2 FOOTING REINFORCING PLAN  
SCALE 1/4" = 1'-0"



CORNER DETAIL @ WW3  
BELOW BRIDGE SEAT  
SCALE 1/2" = 1'-0"



ABUTMENT 2 REINFORCING ELEVATION  
SCALE 1/4" = 1'-0"



CORNER DETAIL @ WW4  
BELOW BRIDGE SEAT  
SCALE 1/2" = 1'-0"

**NOTE:**

- NF = NEAR FACE
- FF = FAR FACE
- EF = EACH FACE
- ▲ = CUT TO FIT IN FIELD
- 3" CLEAR, UNLESS OTHERWISE SPECIFIED ON THE PLANS.
- 2'-2" BAR LAP UNLESS OTHERWISE SPECIFIED ON THE PLANS.
- REINFORCING STEEL
- #8 DOWELS

PROJECT NAME: SPRINGFIELD  
PROJECT NUMBER: BRO 1442(26)

FILE NAME: s95j282sub.dgn  
PROJECT LEADER: K. HIGGINS  
DESIGNED BY: J. GRIFFIN  
ABUTMENT 2 REINFORCING PLAN

PLOT DATE: 30-AUG-2011  
DRAWN BY: R. PELLET  
CHECKED BY: J. LACROIX  
SHEET 31 OF 52

NOTE:

BACKWALL AND WINGWALLS NOT SHOWN