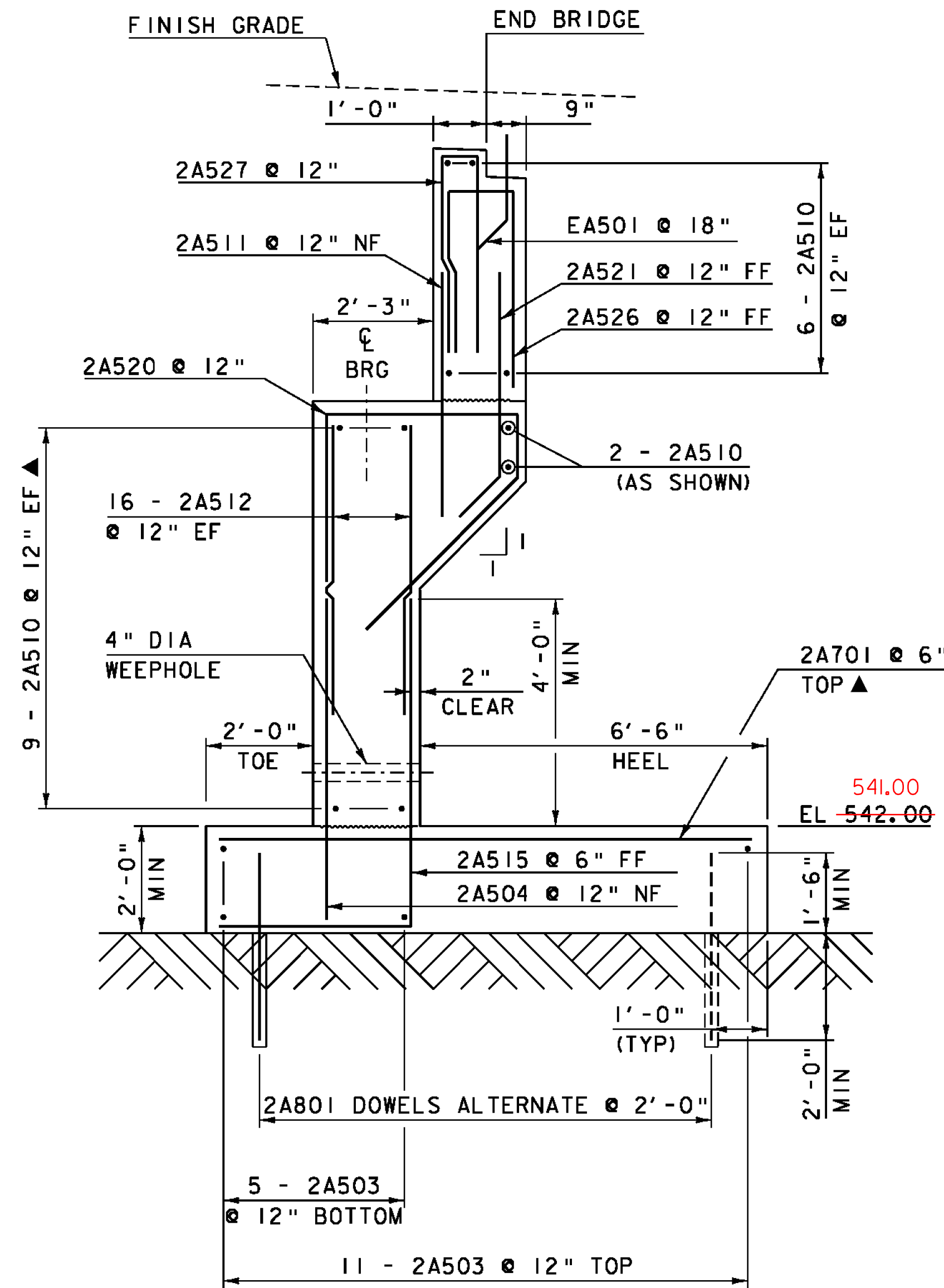
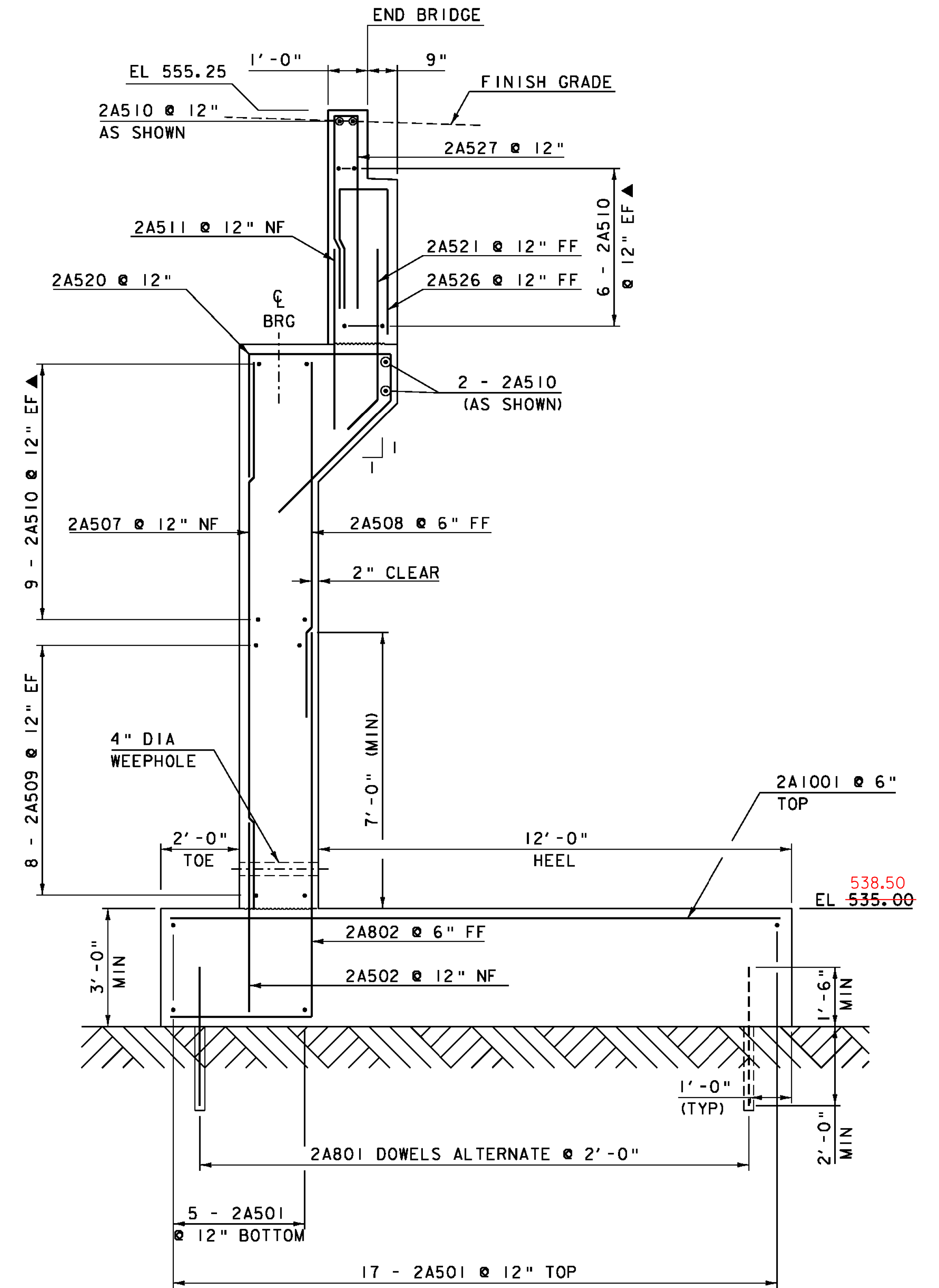


ABUTMENT 2 TYPICAL SECTION A-A
SCALE 1/2" = 1'-0"



ABUTMENT 2 TYPICAL SECTION B-B
SCALE 1/2" = 1'-0"



ABUTMENT 2 TYPICAL SECTION C-C
SCALE 1/2" = 1'-0"

NOTE:

- NF = NEAR FACE
- FF = FAR FACE
- EF = EACH FACE
- ▲ = CUT TO FIT IN FIELD
- 3" CLEAR, UNLESS OTHERWISE SPECIFIED ON THE PLANS.
- 2'-2" BAR LAP UNLESS OTHERWISE SPECIFIED ON THE PLANS.

PROJECT NAME:	SPRINGFIELD	PLOT DATE:	30-AUG-2011
PROJECT NUMBER:	BRO 1442(26)	DRAWN BY:	R. PELLETT
FILE NAME:	s95j282sub.dgn	CHECKED BY:	J. LACROIX
PROJECT LEADER:	K. HIGGINS		
DESIGNED BY:	J. GRIFFIN		
ABUTMENT 2 TYPICALS			SHEET 30 OF 52